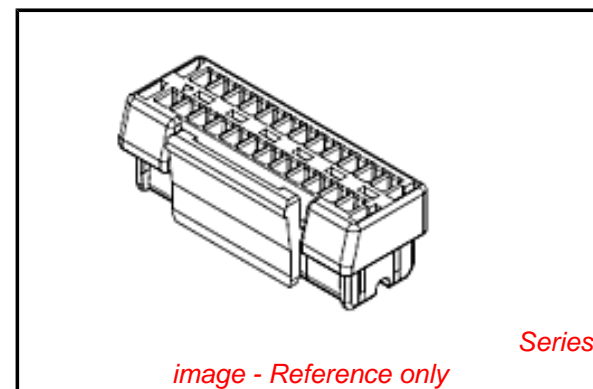


PLEASE CHECK WWW.MOLEX.COM FOR LATEST PART INFORMATION

Part Number: [504186-2400](#)
Status: **Active**
Overview: Micro-Lock™ Connectors
Description: Micro-Lock™ 1.25mm Pitch Dual-Row Crimp Housing, White, 24 Circuits

Documents:

3D Model	Application Specification AS-504186-002 (PDF)
Drawing (PDF)	Packaging Specification SPK-504186-001 (PDF)
Product Specification PS-504186-001 (PDF)	RoHS Certificate of Compliance (PDF)
Application Specification AS-504186-001 (PDF)	



General

Product Family	Crimp Housings
Series	504186
Application	Wire-to-Board
Overview	<u>Micro-Lock™ Connectors</u>
Product Name	Micro-Lock™
UPC	887191161716

Physical

Circuits (maximum)	24
Color - Resin	White
Gender	Female
Glow-Wire Compliant	No
Lock to Mating Part	Yes
Material - Resin	Polyester
Net Weight	358.045/mg
Number of Rows	2
Packaging Type	Tray
Panel Mount	No
Pitch - Mating Interface	1.25mm
Pitch - Termination Interface	1.25mm
Polarized to Mating Part	Yes
Temperature Range - Operating	-25°C to +85°C

Electrical

Current - Maximum per Contact	1.5A
-------------------------------	------

Material Info

Reference - Drawing Numbers

Application Specification	AS-504186-001, AS-504186-002
Packaging Specification	SPK-504186-001
Product Specification	PS-504186-001, RPS-504186-001, RPS-504186-002, RPS-504186-004
Sales Drawing	SD-504186-001

EU RoHS

ELV and RoHS Compliant
REACH SVHC
Contains SVHC: No
Low-Halogen Status
Not Low-Halogen

China RoHS



Need more information on product environmental compliance?

Email productcompliance@molex.com
 For a multiple part number RoHS Certificate of Compliance, [click here](#)

Please visit the [Contact Us](#) section for any non-product compliance questions.

Search Parts in this Series

[504186Series](#)

Mates With

Micro-Lock™ 1.25mm Pitch Header [504187](#), [504189](#)

Use With

Micro-Lock™ Wire-to-Board Crimp Terminal [504185-1000](#)