

CONTROL STATIONS

89 Series Terminal Block Junction Box

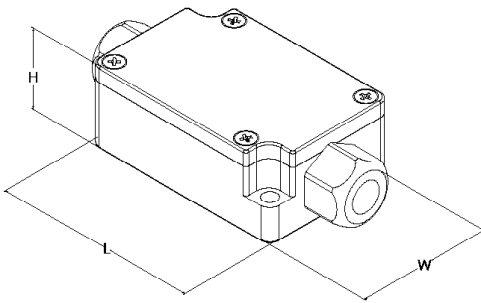
- Integrated junction box consisting of cable glands and a terminal block
- IP65 rated
- Available in 3, 4 and 6 poles
- Supplied with 2 pcs each of 5 \varnothing and 7.4 \varnothing rubber cable bushes
- Available in light grey and black
- Suitable for industrial applications, power cable joints, wiring for motors or sensors

SPECIFICATION	
Rated voltage	250V
Rated current	15A
Applicable Wire	1.25mm ²
Standard tightening torque	0.5N
Operating temperature	-20°C to +75°C
Material:	
Cover, base & cable cap	PBT (UL94-V0)
Rubber bush	EPDM
Gasket	Polyurethane
Conductive plate	Brass
Terminal screw	Steel M3
Cover screw	Stainless steel M3

TAKACHI



BLACK	GREY	LENGTH	WIDTH	HEIGHT	DESCRIPTION
TMC-3PB	TMC-3PG	24mm	65mm	33mm	3 Pole
TMC-4PB	TMC-4PG	24mm	60mm	40mm	4 Pole
TMC-6PB	TMC-6PG	24mm	70mm	50mm	6 Pole



UNIVERSAL ENCLOSURES

HAND HELD CASES

HEAVY DUTY ENCLOSURES

DIN RAIL BOXES

INTERFACE SUPPORTS

CONTROL STATIONS

DIECAST & METAL BOXES

DESKTOP & INSTRUMENT CASES

POTTING BOXES

19" ENCLOSURES

19" CABINETS

DEVELOPMENT BOARD ENCLOSURES

CUSTOM SIZED ENCLOSURES

CUSTOM SERVICES



+44 (0)1638 716101
 info@camdenboss.com
 www.camdenboss.com

We operate a constant improvement policy, our products are subject to change without notice.

Ver 1.0 Iss 1

CAMDENBOSS
 ELECTRONICS & ENCLOSURES