

Overview

KEMET's PEG130 Series is an electrolytic capacitor with outstanding electrical performance. This product is constructed in a polarized, all-welded design with tinned copper wire leads and the negative pole connected to the case of the capacitor. The PEG130 winding is housed in a cylindrical aluminum can with a high purity aluminium lid and a high quality rubber gasket. The low ESR is a result of a low resistive electrolyte/paper system and an all-welded design.

Applications

KEMET's PEG130 is a new generation of high performance axial electrolytic capacitors, designed for applications with very long service life requirements. The capacitors are especially suitable for LED/lamp power supplies, automotive and low voltage power electronic applications.

Benefits

- Next-generation high performance axial series
- Very long operational life (up to 160,000 hours at 80°C)
- Minimal heat generation
- New low ESR electrolyte/paper system
- Available with capacitances as high as 6,300 μF and voltage options of 25, 40, and 63 VDC
- Polarised all-welded design
- Outstanding electrical performance



Part Number System

| PEG130 | H | H | 436 | 0 | Q | L1 |
|-----------------------------|----------------------------|---------------------|---|--------------|-----------------------|----------------------------|
| Series | Voltage (VDC) | Size Code | Capacitance Code (μF) | Version | Capacitance Tolerance | Packaging |
| Axial Aluminum Electrolytic | H = 25 K = 40 M = 63 | See Dimension Table | The second two digits indicate the two most significant digits of the capacitance value. The first digit indicates the total number digits. | 0 = Standard | Q = -10 +30% | See Ordering Options Table |

Performance Characteristics

| Item | Performance Characteristics | |
|-------------------------------|--|--|
| Capacitance Range | 900 – 6,300 μ F | |
| Rated Voltage | 25 – 63 VDC | |
| Operating Temperature | -40 to +105°C | |
| Capacitance Tolerance | -10/+30% at 100 Hz / +20°C | |
| Operational Lifetime | 37,000 hours at +105°C (hours, D = 20 mm) | |
| Shelf Life | 5,000 hours at +105°C or 10 years at +40°C 0 VDC | |
| Leakage Current | $I = 0.003 CV + 4.0$ (μ A) | |
| | C = rated capacitance (μ F), V = rated voltage (VDC). Voltage applied for 5 minutes at +20°C. | |
| Vibration Test Specifications | Procedure | Requirements |
| | 0.75 mm displacement amplitude or 10 g maximum acceleration. Vibration applied for three 2-hour sessions at 10 – 2,000 Hz (capacitor clamped by body). | No leakage of electrolyte or other visible damage. Deviations in capacitance and $\tan \delta$ from initial measurements must not exceed: $\Delta C/C < 5\%$. |
| Standards | IEC 60384–4 long life grade 40/125/56 | |

Compensation Factor of Ripple Current (RC) vs. Frequency

| | | | | | |
|-------------|--------|--------|-------|-------|---------|
| Frequency | 100 Hz | 300 Hz | 1 kHz | 5 kHz | 100 kHz |
| Coefficient | 0.35 | 0.57 | 0.80 | 1.00 | 1.04 |

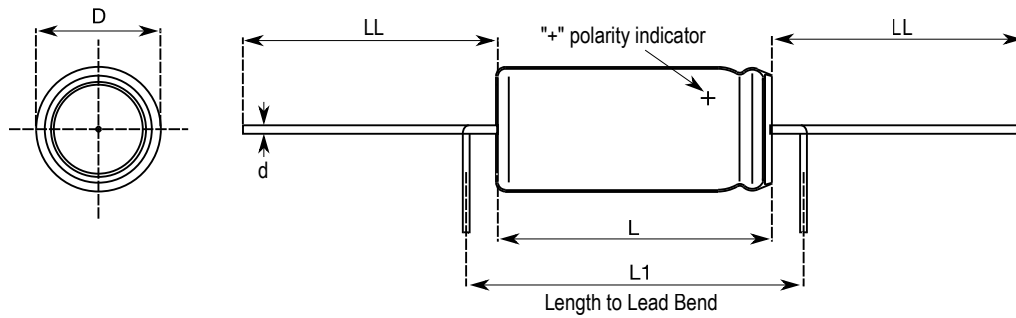
Test Method & Performance

| Endurance Life Test | |
|------------------------------|--|
| Conditions | Performance |
| Temperature | +105°C |
| Test Duration | 12,000 hours |
| Ripple Current | Maximum ripple current specified in table |
| Voltage | The sum of DC voltage and the peak AC voltage must not exceed the rated voltage of the capacitor |
| Performance | The following specifications will be satisfied when the capacitor is tested at +20°C: |
| Capacitance Change | Within 15% of the initial value |
| Equivalent Series Resistance | Does not exceed 200% of the initial value |
| Leakage Current | Does not exceed leakage current limit |

Ordering Options Table

| Packaging Kind | Lead Length (mm) | Lead and Packaging Code |
|----------------------------|------------------|-------------------------|
| Standard Packaging Options | | |
| Bulk (box) | 40 +3/-2 | L1 |

Dimensions – Millimeters



| Size Code | Dimensions in mm | | | | Bulk LL | Approximate Weight Grams |
|-----------|------------------|---------|---------|------------|---------|--------------------------|
| | D | L | L1 | d | | |
| | ± 0.5 | ± 1 | Minimum | ± 0.03 | +/-2 | |
| H | 20 | 29.0 | 35.0 | 1.0 | 40 | 13 |
| J | 20 | 37.0 | 43.0 | 1.0 | 40 | 20 |
| L | 20 | 46.0 | 52.0 | 1.0 | 40 | 24 |

Shelf Life

The capacitance, ESR and impedance of a capacitor will not change significantly after extended storage periods, however the leakage current will very slowly increase. KEMET products are particularly stable and allow a shelf life in excess of ten years at 40°C. See sectional specification under each product series for specific data.

Failure Rate

Estimated field failure rate: ≤ 0.15 ppm (failures per year/produced number of capacitors per year).

The expected failure rate for this capacitor range is based on field experience for capacitors with structural similarity.

Environmental Compliance

As an environmentally conscious company, KEMET is working continuously with improvements concerning the environmental effects of both our capacitors and their production. In Europe (RoHS Directive) and in some other geographical areas like China, legislation has been put in place to prevent the use of some hazardous materials, such as lead (Pb), in electronic equipment. All products in this catalog are produced to help our customers' obligations to guarantee their products and fulfill these legislative requirements. The only material of concern in our products has been lead (Pb), which has been removed from all designs to fulfill the requirement of containing less than 0.1% of lead in any homogeneous material. KEMET will closely follow any changes in legislation world wide and makes any necessary changes in its products, whenever needed.

Some customer segments such as medical, military and automotive electronics may still require the use of lead in electrode coatings. To clarify the situation and distinguish products from each other, a special symbol is used on the packaging labels for RoHS compatible capacitors.

Because of customer requirements, there may appear additional markings such as LF (Lead Free) or LFW (Lead Free Wires) on the label.



RoHS Compliant

Table 1 – Ratings & Part Number Reference

| VDC | Rated Capacitance | Size Code | Case Size D x L (mm) | Ripple Current Maximum | | | | | ESR Maximum | | | Part Number |
|-----|-------------------|-----------|-------------------------|------------------------|---------------------|---------------------|----------------------|----------------------|---------------------|----------------------|-------------------------|---------------|
| | | | | 100 Hz 105°C (A) | ≥ 5 kHz 60°C (A) | ≥ 5 kHz 80°C (A) | ≥ 5 kHz 100°C (A) | ≥ 5 kHz 105°C (A) | 100 Hz 20°C (mΩ) | 100 kHz 20°C (mΩ) | 5–100 kHz 105°C (mΩ) | |
| 25 | 3600 | H | 20 x 29 | 1.72 | 8.9 | 7.2 | 4.1 | 2.7 | 47 | 32 | 16.6 | PEG130HH4360Q |
| 25 | 4800 | J | 20 x 37 | 2.11 | 10.8 | 8.8 | 4.9 | 3.2 | 36 | 24 | 13.0 | PEG130HJ4480Q |
| 25 | 6300 | L | 20 x 46 | 2.45 | 12.1 | 9.9 | 5.5 | 3.6 | 30 | 21 | 11.3 | PEG130HL4630Q |
| 40 | 2000 | H | 20 x 29 | 1.44 | 8.8 | 7.2 | 4.0 | 2.6 | 59 | 32 | 17.0 | PEG130KH4200Q |
| 40 | 3000 | J | 20 x 37 | 1.85 | 10.7 | 8.7 | 4.9 | 3.2 | 42 | 24 | 13.1 | PEG130KJ4300Q |
| 40 | 3900 | L | 20 x 46 | 2.18 | 12.3 | 10.0 | 5.5 | 3.6 | 33 | 19 | 11.3 | PEG130KL4390Q |
| 63 | 900 | H | 20 x 29 | 1.06 | 7.2 | 5.9 | 3.3 | 2.2 | 94 | 40 | 25.1 | PEG130MH3900Q |
| 63 | 1400 | J | 20 x 37 | 1.40 | 9.0 | 7.4 | 4.1 | 2.7 | 64 | 29 | 18.8 | PEG130MJ4140Q |
| 63 | 1800 | L | 20 x 46 | 1.65 | 10.4 | 8.4 | 4.7 | 3.1 | 51 | 24 | 15.9 | PEG130ML4180Q |
| VDC | Rated Capacitance | Size Code | Case Size | Ripple Current | | | | | ESR | | | Part Number |

(1) Insert packaging code. See Ordering Options Table for available options.

Operational Life

Operational life (L_{op}) at ambient temperature T_a and ripple current I_{AC} .

Example:

Article: PEG130HH4360Q (20 x 27 mm)

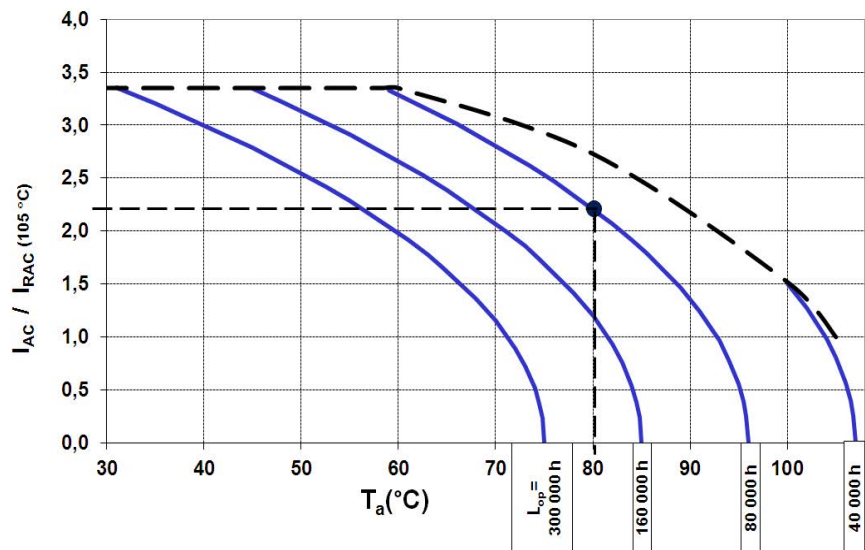
Ambient temperature (T_a): +80°C

Ripple current, at 5 kHz (I_{AC}): 5.9 A

$I_{RAC}(+105°C, \geq 5 \text{ kHz}) = 2.7 \text{ A}$ (from data table)

→ $I_{AC} / I_{RAC}(+105°C) = 2.2$

Operational life: Interpolation between the L_{op} -curves → $L_{op} \sim 80 \text{ kh}$ (blue curves)



Packaging Quantities

| Size Code | Packaging Quantities |
|-----------|----------------------|
| | Bulk |
| H | 150 |
| J | 125 |
| L | 100 |

Print Detail

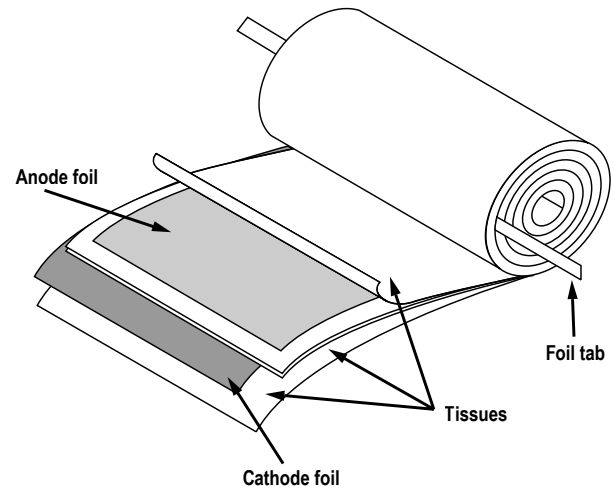
Standard Marking for PEG and PEH types

- KEMET logo
- Rated capacitance
- Capacitance tolerance
- Rated voltage
- Date code
- Polarity indication
- Article code

Construction

The manufacturing process begins with the anode foil being electrochemically etched to increase the surface area and then “formed” to produce the aluminum oxide layer. Both the anode and cathode foils are then interleaved with absorbent paper and wound into a cylinder. During the winding process, aluminum tabs are attached to each foil to provide the electrical contact.

The winding is assembled to the capacitor aluminum can and to the aluminum lid. The can is filled with electrolyte and the winding is impregnated during a vacuum treatment. The capacitor is sealed. Throughout the process, all materials inside the housing must be maintained at the highest purity and be compatible with the electrolyte.



Each capacitor is aged and tested before being packed. The purpose of aging is to repair any damage in the oxide layer and thus reduce the leakage current to a very low level. Aging is carried out at elevated temperature and is accomplished by applying voltage to the device while carefully controlling the supply current. The process takes between 2 and 20 hours, depending on voltage rating.

Damage to the oxide layer can occur due to a variety of reasons:

- Slitting of the anode foil after forming
- Attaching the tabs to the anode foil
- Minor mechanical damage caused during winding

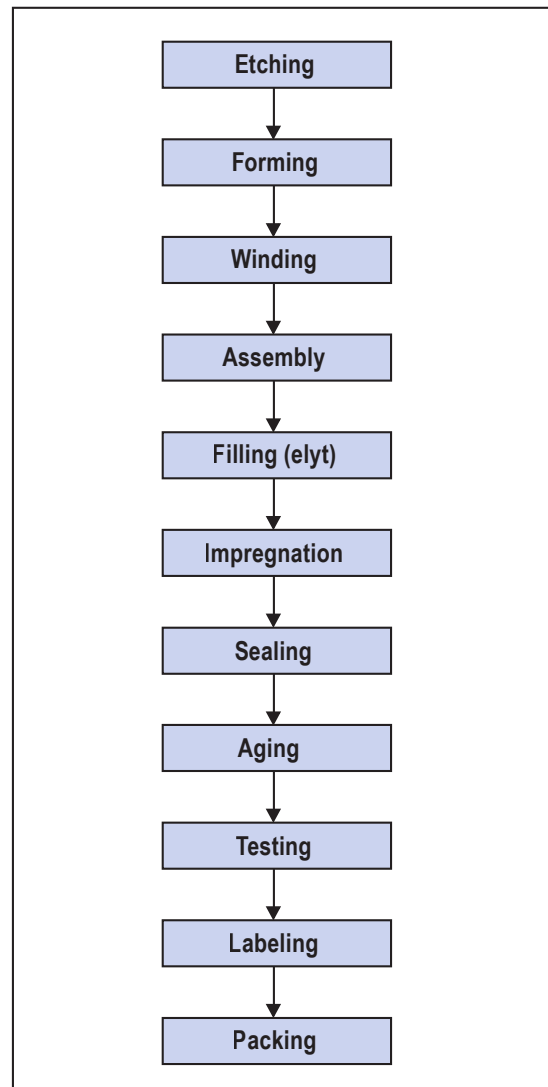
The following tests are applied for each individual capacitor.

Electrical:

- Leakage current
- Capacitance
- ESR
- Tan delta

Mechanical/Visual:

- Pull strength test of wire terminals
- Print detail
- Box labels
- Packaging, including packed quantity



KEMET Corporation World Headquarters

2835 KEMET Way
Simpsonville, SC 29681

Mailing Address:
P.O. Box 5928
Greenville, SC 29606

www.kemet.com
Tel: 864-963-6300
Fax: 864-963-6521

Corporate Offices
Fort Lauderdale, FL
Tel: 954-766-2800

North America

Southeast

Lake Mary, FL
Tel: 407-855-8886

Northeast

Wilmington, MA
Tel: 978-658-1663

Central

Novi, MI
Tel: 248-306-9353

West

Milpitas, CA
Tel: 408-433-9950

Mexico

Guadalajara, Jalisco
Tel: 52-33-3123-2141

Europe

Southern Europe

Paris, France
Tel: 33-1-4646-1006

Sasso Marconi, Italy
Tel: 39-051-939111

Central Europe

Landsberg, Germany
Tel: 49-8191-3350800

Kamen, Germany
Tel: 49-2307-438110

Northern Europe

Bishop's Stortford, United Kingdom
Tel: 44-1279-460122

Espoo, Finland
Tel: 358-9-5406-5000

Asia

Northeast Asia

Hong Kong
Tel: 852-2305-1168

Shenzhen, China
Tel: 86-755-2518-1306

Beijing, China
Tel: 86-10-5829-1711

Shanghai, China
Tel: 86-21-6447-0707

Taipei, Taiwan
Tel: 886-2-27528585

Southeast Asia

Singapore
Tel: 65-6586-1900

Penang, Malaysia
Tel: 60-4-6430200

Bangalore, India
Tel: 91-806-53-76817

Note: KEMET reserves the right to modify minor details of internal and external construction at any time in the interest of product improvement. KEMET does not assume any responsibility for infringement that might result from the use of KEMET Capacitors in potential circuit designs. KEMET is a registered trademark of KEMET Electronics Corporation.

Disclaimer

All product specifications, statements, information and data (collectively, the "Information") in this datasheet are subject to change. The customer is responsible for checking and verifying the extent to which the Information contained in this publication is applicable to an order at the time the order is placed.

All Information given herein is believed to be accurate and reliable, but it is presented without guarantee, warranty, or responsibility of any kind, expressed or implied.

Statements of suitability for certain applications are based on KEMET Electronics Corporation's ("KEMET") knowledge of typical operating conditions for such applications, but are not intended to constitute – and KEMET specifically disclaims – any warranty concerning suitability for a specific customer application or use. The Information is intended for use only by customers who have the requisite experience and capability to determine the correct products for their application. Any technical advice inferred from this Information or otherwise provided by KEMET with reference to the use of KEMET's products is given gratis, and KEMET assumes no obligation or liability for the advice given or results obtained.

Although KEMET designs and manufactures its products to the most stringent quality and safety standards, given the current state of the art, isolated component failures may still occur. Accordingly, customer applications which require a high degree of reliability or safety should employ suitable designs or other safeguards (such as installation of protective circuitry or redundancies) in order to ensure that the failure of an electrical component does not result in a risk of personal injury or property damage.

Although all product-related warnings, cautions and notes must be observed, the customer should not assume that all safety measures are indicated or that other measures may not be required.