

i-View 504 LED Lighting System



INTRODUCTION

Wamco i-View 504 is an LED lighting system designed for small and medium sized billboards or traffic signs as well as wall washing of buildings, bridges, sculptures, etc. It is also a perfect solution for manufacturing work center lighting. i-View 504 has much lower power consumption (approximately 48W including integrated power supply) than conventional 150W HQI lamp and Halogen lighting fixtures. i-View 504 provides many advantages including brilliant light output, significant energy cost saving and reduced maintenance costs.



FEATURES

- Energy efficient (up to 75% energy saving)
- Low power consumption (~48W)
- Available in Natural White: 5000K and Warm White: 3000K
- Long service life (up to 40,000 hours)
- Water resistant (outdoor use, IP65)
- 3 year warranty
- Dimmable

APPLICATIONS

- Lighting for small and medium sized billboards and traffic signs
- Wall washing (buildings, bridges, etc.)
- Task lighting for work centers

CERTIFICATIONS

- CE



SPECIFICATIONS

Model	Model No.	Input Vol.	Power Cons.	CCT	Beam Angle	Lum. Flux
i-View 504 Natural White	WL-B504040W04V	120~277VAC	48W	5000K	110°	3500 lm
i-View 504 Warm White	WL-B504040L04V	120~277VAC	48W	3000K	110°	3300 lm

- Operating Temp.: -20°C ~ +60°C

CALL
1-714-545-5560

FAX
1-714-545-6093

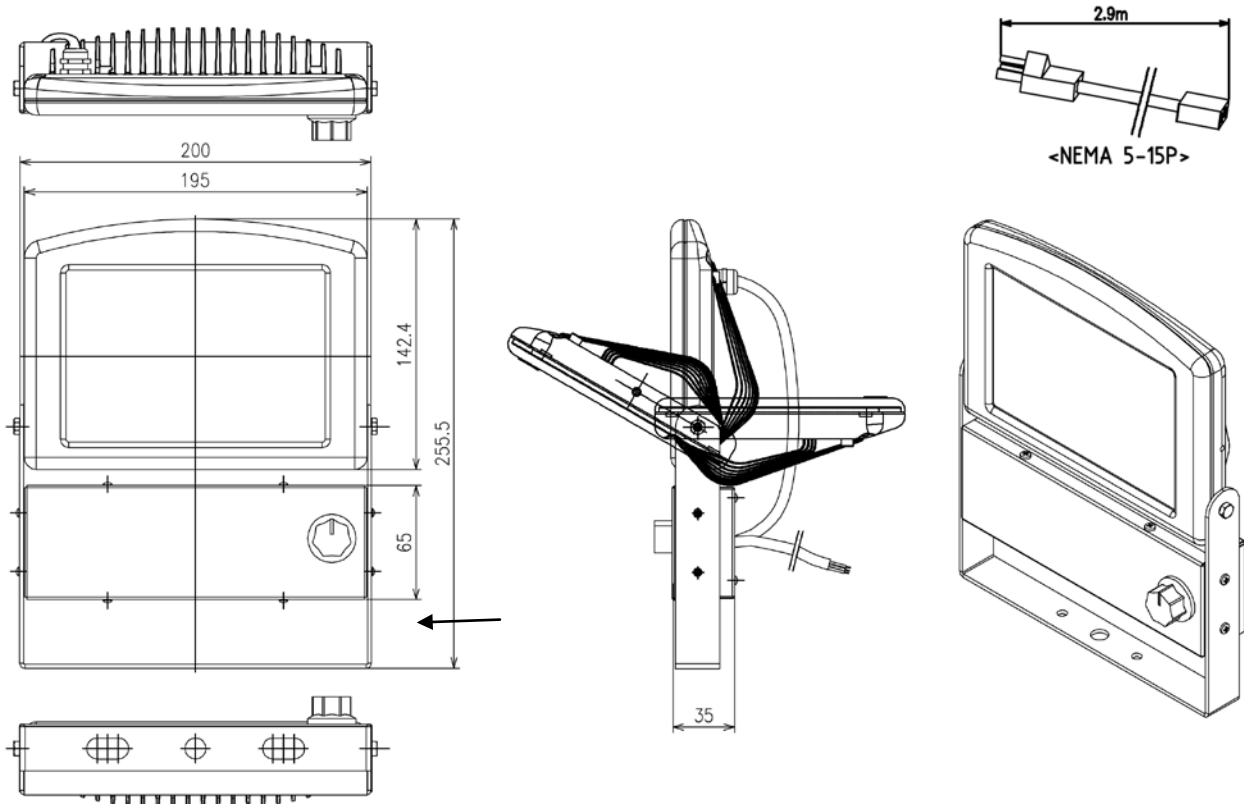
VISIT
W: WWW.WAMCOINC.COM

EMAIL
E: INFO@WAMCOINC.COM

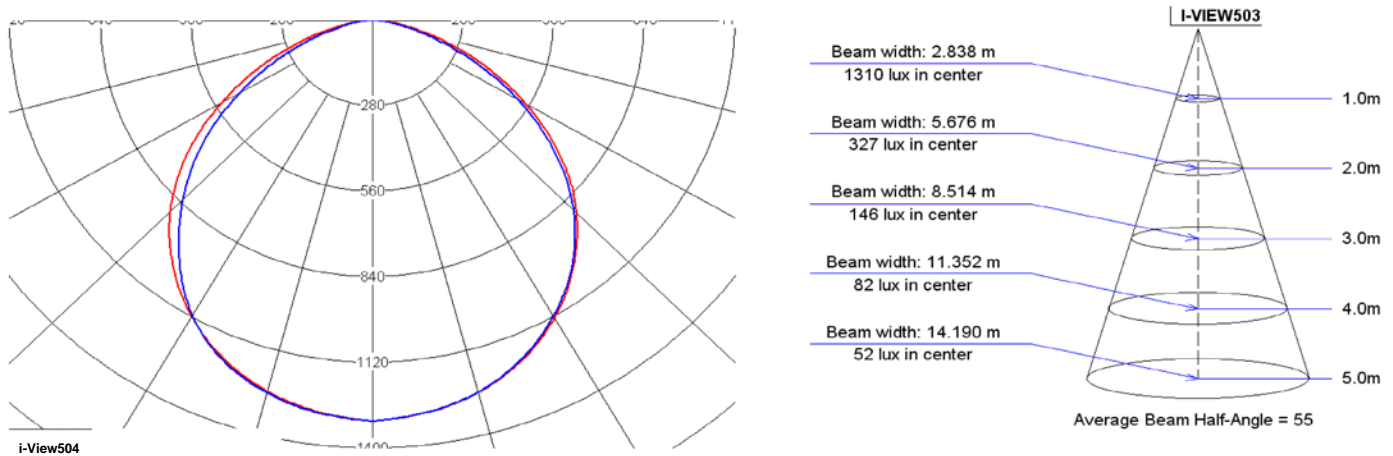
i-View 504 LED Lighting System



PHYSICAL SPECIFICATION (Unit: mm)



LIGHT DISTRIBUTION



i-View 504 White (5000K)

CALL
1-714-545-5560

FAX
1-714-545-6093

VISIT
W: WWW.WAMCOINC.COM

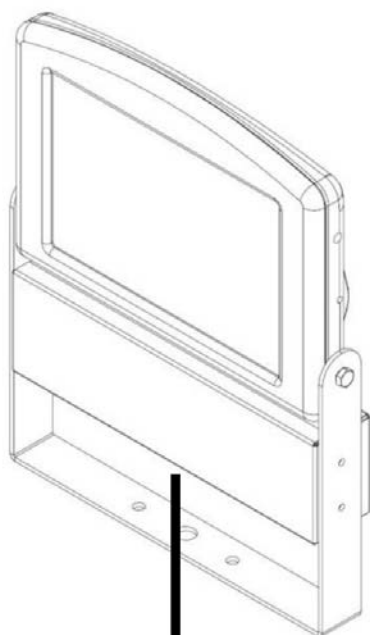
EMAIL
E: INFO@WAMCOINC.COM

i-View 504 LED Lighting System



INSTALLATION

i-View 504



120~277VAC Input