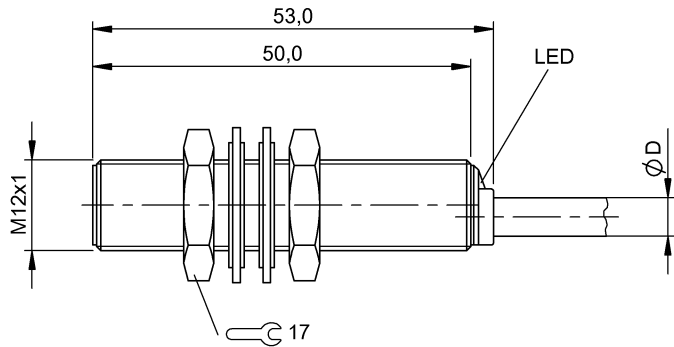


**BES M12MI-PSC20B-BV03**  
**Ordering code: BES005W**

Inductive sensor  
 Global  
 M12x53 mm

DC, direct current  
 PNP/Normally open (NO)  
 Sn= 2 mm  
 Flush (shielded)

**BALLUFF**  
*sensors worldwide*



**Characteristic data**

Assured operating distance Sa	1,6
Eff. switching distance Sr	2 mm
Tolerance Sr	±10 %
Hysteresis H max. (in % of Sr)	15 %
Repeat accur. R max. (% of Sr)	5 %
Ambient temperature	-25...70 °C
Temp. drift max. (% of Sr)	10 %
Switching freq. f max.	1200 Hz
Ready delay tv max.	30 ms
Utilisation category	DC 13
Function indicator	Yes
Power indicator	No
Short-circuit protected	Yes
Protected against polarity reversal	Yes
Protected against miswiring	Yes
Enclosure Type per IEC 60529	IP68 according to BWN PR 20
Protection class	II
Principle of operation	Inductive

**Electrical data**

Operating voltage	12...30 V DC
Ripple max. (% of Ue)	15
Rated operating voltage Ue DC	24 V
Voltage drop static max.	2,5 V
Rated insulation voltage Ui	250 AC
Effective operating current Ie	200 mA
No-load current Io damped max.	15 mA
Max. no-load cur. Io undamped	6 mA

Off-state current Ir max.	20 µA
Minimum operating current Im	0 mA
Rated short circuit current	100 A
Output resistance Ra	3.3k + D + LED
Load capacitance max. (at Ue)	1 µF

**Mechanical data**

Connection type	Cable
Cable diameter D max.	4,7 mm
Cable short designation	LiY-Y-O
Cable length	3 m
Number of conductors	3
Conductor cross-section	0.34 mm <sup>2</sup>
Housing material	CuZn
Oberflächenschutz	Nickel-plated
Sensing surface material	PA 12
Cable jacket material	PVC
Mounting length	50 mm
Shock rating	30 gn, 11 ms, 3x12 shocks
Vibration rating	10-2000 Hz, 1 mm, 30 gn, 3x5 h
Continuous shock load	Half-sinus, 100gn, 2ms, 3x8000
Degree of contamination	3
Tightening torque	15 Nm

**Basic data**

Basic standard	IEC 60947-5-2
----------------	---------------

**Remarks**

The sensor is functional again after the overload has been eliminated.



**BES M12MI-PSC20B-BV03**  
**Ordering code: BES005W**

Inductive sensor  
Global  
M12x53 mm

DC, direct current  
PNP/Normally open (NO)  
Sn= 2 mm  
Flush (shielded)

**BALLUFF**

*sensors worldwide*

