

# Euro Power Supplies - 6W to 24W **PowerPax**



## Features:

- Universal / Full range AC input
- Fixed Euroean pins
- Fully enclosed attractive plastic case
- Small & Compact design
- Cost effective and high reliability
- Protections Over Voltage, Short circuit & Over Current
- Safety approved & Energy Efficient
- Level V ErP/EuP efficiency compliant
- MTBF >50,000 hours
- Also available as UK, USA and Australian versions

## Safety & Emissions:

CE, TUV GS, LPS

EMI Conduction & Radiation: Compliance to EN55022 Class B

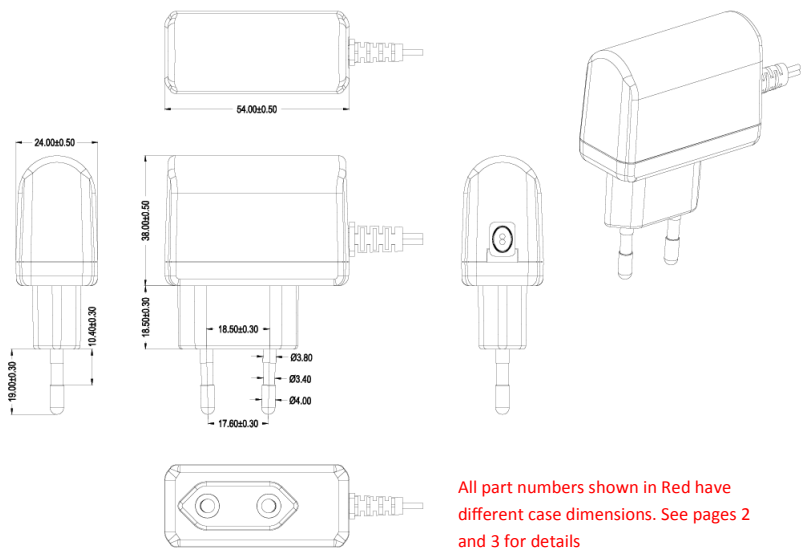
Harmonic current: Compliance to EN61000-3-2, 3

EMS Immunity: Compliance to EN61000-4-2, 3, 4, 5, 6, 8, 11

Efficiency: Energy Star level V, Erp Stage 2, gems & NRCAN certified, CEC V



<b>Current Min.</b>	0.01A
<b>Input current</b>	0.18A max
<b>Load Regulation</b>	+/-5 % Typical
<b>DC Cord</b>	1.8 Metres
<b>DC Plug</b>	See table below
<b>Polarity</b>	+ve centre
<b>Rated Input Voltage</b>	90-264vac Max
<b>Weight</b>	98g to
<b>Hi-Pot Spec</b>	3KVAC 10mA 1 min. (I.P. to O.P.)
<b>No load power consumption</b>	0.1W max
<b>Operating Temperature</b>	0 to 40 degrees C
<b>Storage Temperature</b>	-20 to 80 degrees C
<b>Operating Humidity</b>	10% to 90%
<b>Rated Frequency</b>	50-60Hz (47/63Hz max)
<b>Efficiency</b>	Meets ErP stage 2



All part numbers shown in Red have different case dimensions. See pages 2 and 3 for details

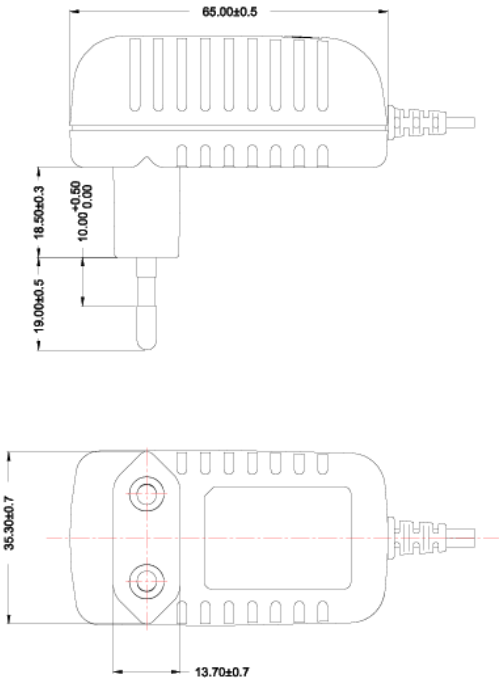
Part number	Output	Power	Input connector	Output connector
SW4304B	5vdc 1 Amp	5 Watts	Euro Fixed	2.5 x 5.5 x 12mm straight Polarity +ve centre
SW4305B	6vdc 1 Amp	5 Watts	Euro Fixed	2.5 x 5.5 x 12mm straight Polarity +ve centre
SW4306-C	9vdc 0.66 Amp	6 Watts	Euro Fixed	2.5 x 5.5 x 12mm straight Polarity +ve centre
SW4307B	12vdc 0.5 Amp	6 Watts	Euro Fixed	2.5 x 5.5 x 12mm straight Polarity +ve centre
<b>SW4308-B</b>	15vdc 0.5 Amp	7.5 Watts	Euro Fixed	2.5 x 5.5 x 12mm straight Polarity +ve centre
<b>SW4309-B</b>	24vdc 0.5 Amp	12 Watts	Euro Fixed	2.5 x 5.5 x 12mm straight Polarity +ve centre
SW4310B	5vdc 1 Amp	5 Watts	Euro Fixed	2.1 x 5.5 x 12mm straight Polarity +ve centre
SW4311B	9vdc 0.66 Amp	6 Watts	Euro Fixed	2.1 x 5.5 x 12mm straight Polarity +ve centre
SW4312-C	12vdc 0.5 Amp	6 Watts	Euro Fixed	2.1 x 5.5 x 12mm straight Polarity +ve centre
<b>SW4313B</b>	15vdc 0.5 Amp	7.5 Watts	Euro Fixed	2.1 x 5.5 x 12mm straight Polarity +ve centre
<b>SW4314B</b>	24vdc 0.5 Amp	12 Watts	Euro Fixed	2.1 x 5.5 x 12mm straight Polarity +ve centre
<b>SW4526</b>	12vdc 1 Amp	12 Watts	Euro Fixed	2.1 x 5.5 x 12mm straight Polarity +ve centre
<b>SW3526</b>	12vdc 1.25 Amp	15 Watts	Euro Fixed	2.1 x 5.5 x 12mm straight Polarity +ve centre
<b>SW4525</b>	12vdc 2 Amp	24 Watts	Euro Fixed	2.1 x 5.5 x 12mm straight Polarity +ve centre



Other DC output connectors and negative centre polarity can be provided on request

Full specification documents on each part included in this data sheet are available on request from PowerPax UK Ltd. PowerPax accepts no responsibility for typographical errors in the production of this datasheet. Product specifications are subject to change without notice. The product image shown is representative of entire range.

# Euro Power Supplies - 6W to 24W *PowerPax*

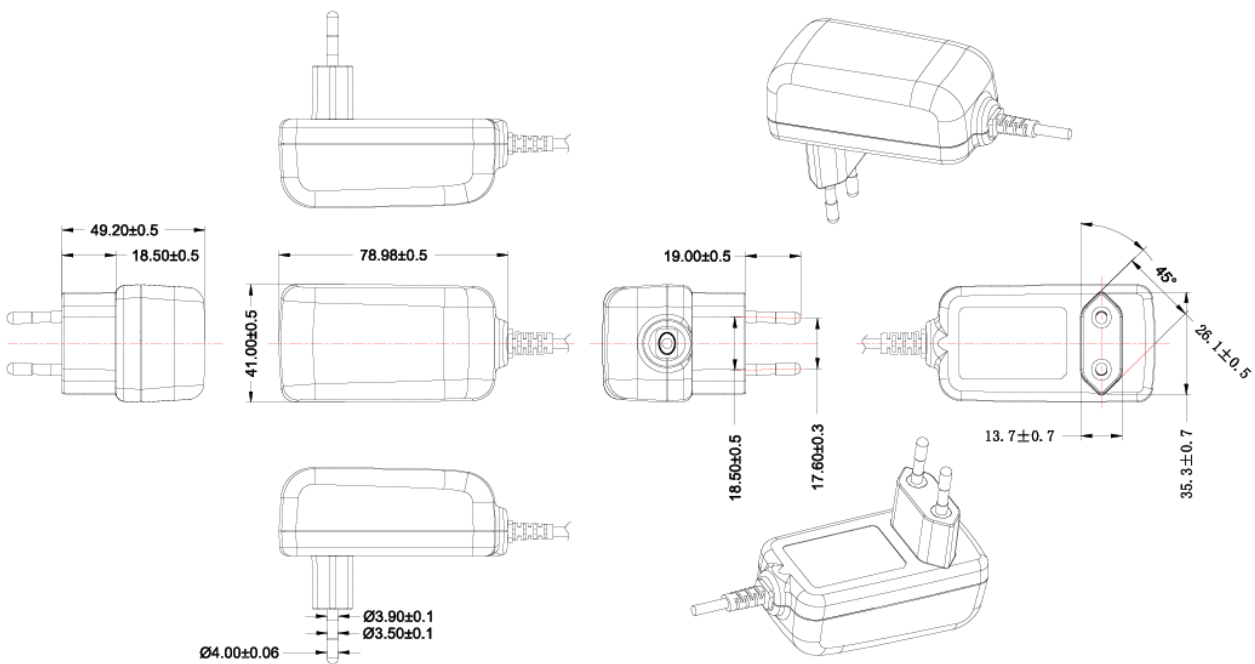


Case dimensions on left for part numbers

SW4308-B

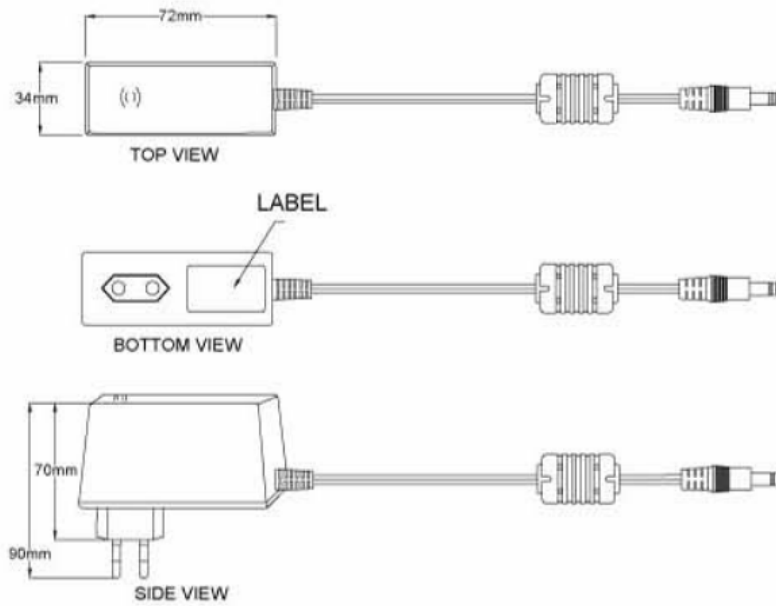
SW4313B

Case dimensions below for part numbers SW4309-B, SW4314B, SW4526,



# Euro Power Supplies - 6W to 24W *PowerPax*

Case dimensions below for part number SW3526



Case dimensions below for part number SW4525 (12vdc 2A Euro power supply)

