




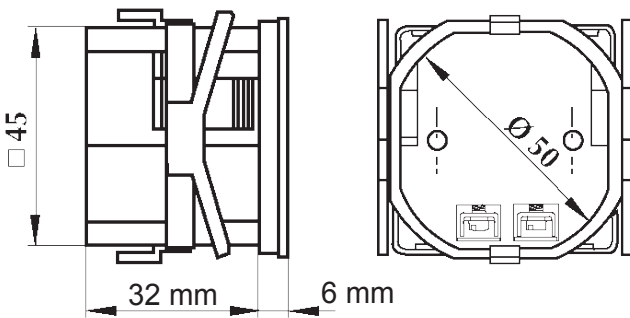
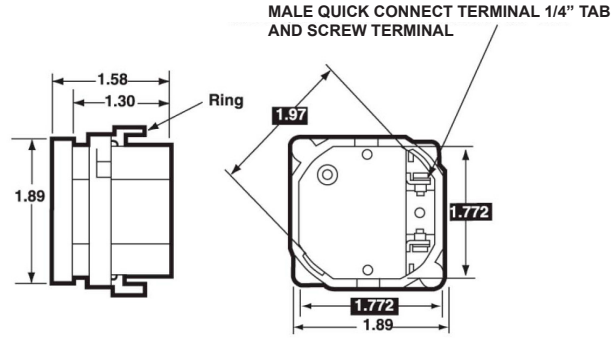
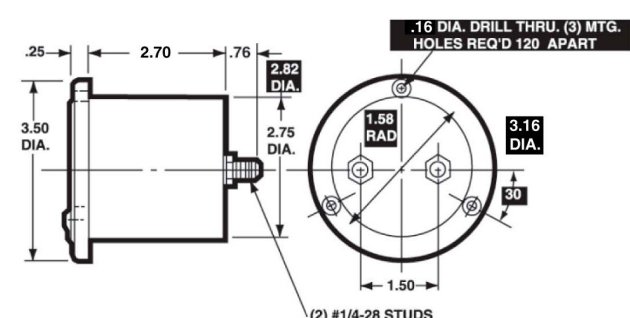
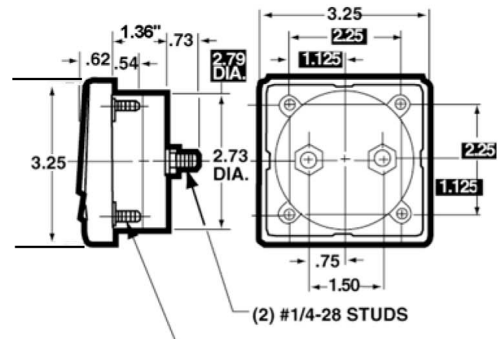
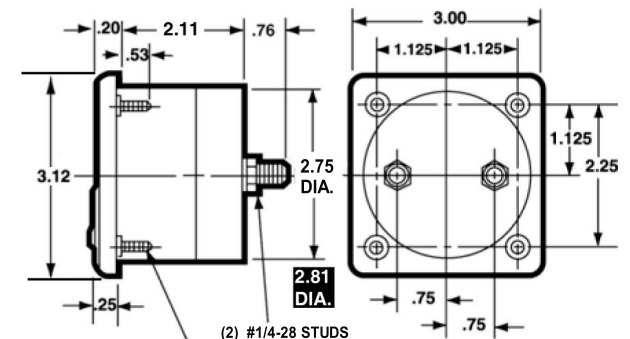
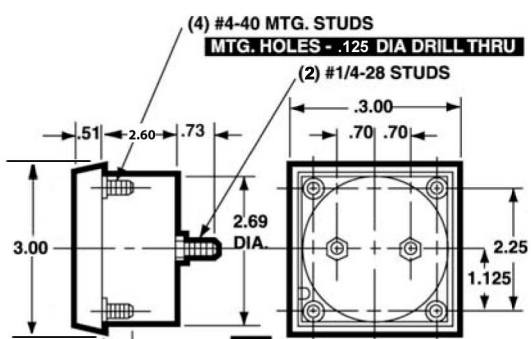
Elapsed Time Meters

- Record “on” time of electrical equipment
- Choice of AC or DC Models
- No reset capability means virtually tamper proof
- 2 sizes and 6 different case styles

Model 112ET	Model 1357ET / Wide-Vue
 <p>CE</p> <p>E236182</p>	
Model 55ET / Round	Model 109ET
	
Model 2153ET / Century	Model 57ET / Rectangular
	

Elapsed Time Meters

Dimensions

1 - 1/2" Model 109ET	1 - 1/2" Model 112ET
 <p style="text-align: center;">Units in mm</p>	 <p style="text-align: center;">■ = Panel Meter Cut-out Dimensions</p>
3 - 1/2" Model 55ET	3 - 1/2" Model 1357ET
 <p style="text-align: center;">.16 DIA. DRILL THRU. (3) MTG. HOLES REQ'D 120 APART</p> <p style="text-align: center;">(2) #1/4-28 STUDS</p>	 <p style="text-align: center;">(2) #1/4-28 STUDS</p> <p style="text-align: center;">(4) #4-40 MTG. STUDS</p> <p style="text-align: center;">MTG. HOLES - .125 DIA. DRILL THRU</p>
3 - 1/2" Model 57ET	3 - 1/2" Model 2153ET
 <p style="text-align: center;">(2) #1/4-28 STUDS</p> <p style="text-align: center;">(4) #4-40 MTG. STUDS</p> <p style="text-align: center;">MTG. HOLES - .125 DIA. DRILL THRU</p>	 <p style="text-align: center;">(4) #4-40 MTG. STUDS</p> <p style="text-align: center;">(2) #1/4-28 STUDS</p> <p style="text-align: center;">MTG. HOLES - .125 DIA DRILL THRU</p>

Specifications

Accuracy	Models 109ET & 112ET; ≤ .01% / 24 hrs
	Models 55ET, 57ET, 1357ET & 2153 ET: Synchronous with AC Power
Movement	Synchronous clock motor
Overload (1 sec.)	10 times F.S.
Maximum Indication	See ordering information
Power Consumption	Models 109ET, 112ET: .5 watts
	All other models: 2.5 watts
Case	Models 55ET, 57ET, 2153ET: high density plastic
	Models 109ET, 112ET, 1357ET: high density black acrylic
Operating Temperature	-4°F to +149°F (-20°C to +65°C)
Net Weight	Models 112ET, 109ET: 2.5 oz. (0.07kg)
	Models 55ET, 57ET: 12.5 oz. (0.35kg)
	Models 1357ET, 2153ET: 13 oz. (0.37kg)

Ordering Information

Operating Voltage	Maximum Indication (hours)	Power Consumption	Accuracy	Model Size	Model No	Catalog No.
10-80 DCV	999,999.9	.5 watt	≤ .01% / 24 hrs	1 - 1/2"	109ET	03618
120 VAC	99,999.99	.5 watt	≤ .01% / 24 hrs		112ET	03622
120 VAC 60 Hz	99,999.9	2.5 watts	synchronous	3 - 1/2"	55ET	03580
	99,999.9	2.5 watts	synchronous		57ET	03590
	99,999.9	2.5 watts	synchronous		1357ET	03595
	99,999.9	2.5 watts	synchronous		2153ET	17720
240 VAC 60 Hz	99,999.9	2.5 watts	synchronous	3 - 1/2"	55ET	03600
	99,999.9	2.5 watts	synchronous		57ET	03610
	99,999.9	2.5 watts	synchronous		1357ET	03615
	99,999.9	2.5 watts	synchronous		2153ET	17721