

ST Simplex Adapter

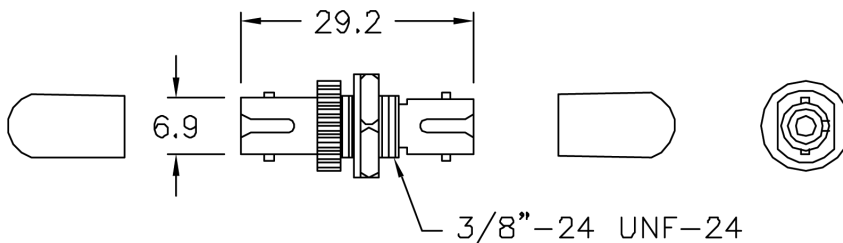
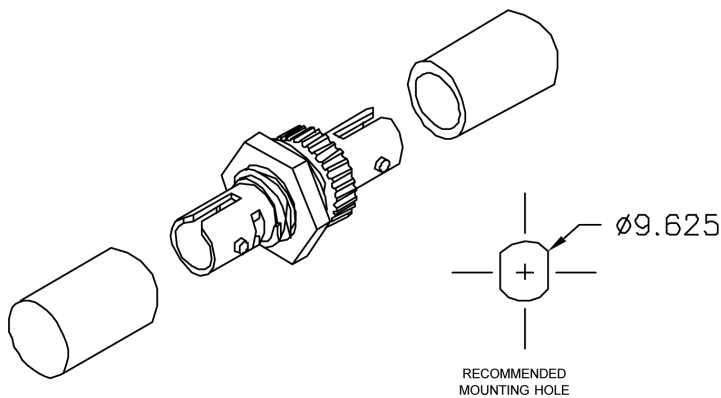
pro-SIGNAL

RoHS
Compliant



Specifications:

Wavelength	: 850nm, 1,310nm
Insertion Loss	: Ceramic <=0.15dB, Metal <=0.2dB
Retentions Force	: 200 to 600g
Durability	: 500 mating
Operating Temperature	: -40°C to 80°C
Storage	: -30°C to 75°C



Dimensions : Inches

Part Number Table

Description	Sleeve	Body	Nut	Washer	Push	Dust Cap Colour	Part Number
ST Simplex Adapter	Ceramic	Metal Housing with Nickel Plating	Brass, Ni-plated	Fe, Ni-plated	Brass, Ni-plated	Yellow	SPC22800
	Metal					Black	SPC22801

Important Notice : This data sheet and its contents (the "Information") belong to the members of the Premier Farnell group of companies (the "Group") or are licensed to it. No licence is granted for the use of it other than for information purposes in connection with the products to which it relates. No licence of any intellectual property rights is granted. The Information is subject to change without notice and replaces all data sheets previously supplied. The Information supplied is believed to be accurate but the Group assumes no responsibility for its accuracy or completeness, any error in or omission from it or for any use made of it. Users of this data sheet should check for themselves the Information and the suitability of the products for their purpose and not make any assumptions based on information included or omitted. Liability for loss or damage resulting from any reliance on the Information or use of it (including liability resulting from negligence or where the Group was aware of the possibility of such loss or damage arising) is excluded. This will not operate to limit or restrict the Group's liability for death or personal injury resulting from its negligence. pro-SIGNAL is the registered trademark of the Group. © Premier Farnell plc 2012.

www.element14.com
www.farnell.com
www.newark.com
www.cpc.co.uk

pro-SIGNAL