



# PRODUCT DATASHEET ANGELA series

last update 13/6/2014

## DETAILS

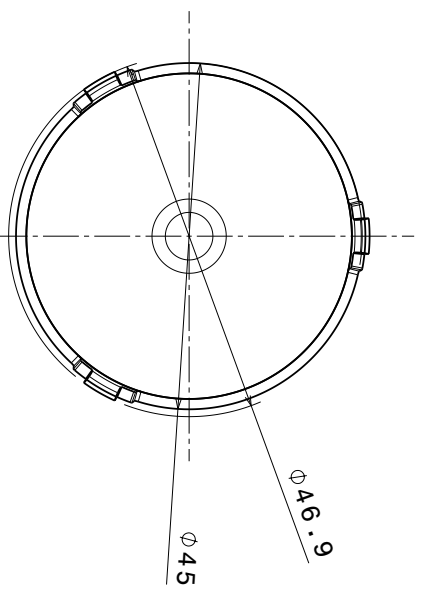
<b>Product Number</b>	F13671_ANGE-RZ-LENS
<b>Family</b>	ANGELA
<b>Type</b>	Lens
<b>Color</b>	clear
<b>Diameter</b>	47 mm
<b>Height</b>	16.5 mm
<b>Style</b>	round
<b>Optic Material</b>	PC
<b>Holder Material</b>	
<b>Fastening</b>	clips
<b>Status</b>	ready
<b>ROHS Compliant</b>	Yes
<b>Date Updated</b>	13/06/2014



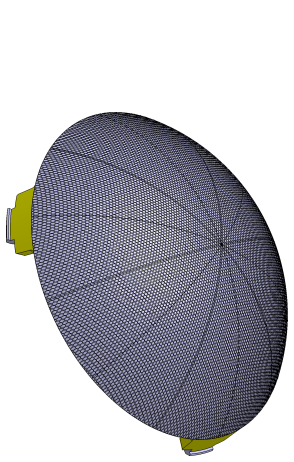
## OPTICAL PROPERTIES

LED	Viewing Angle	Light Beam	Efficiency	cd/lm	connector
	N/A degrees		-	(simulated) 0.000	-

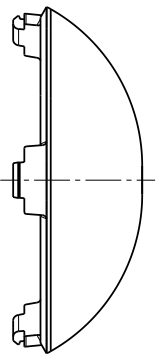
H G F E D C B A



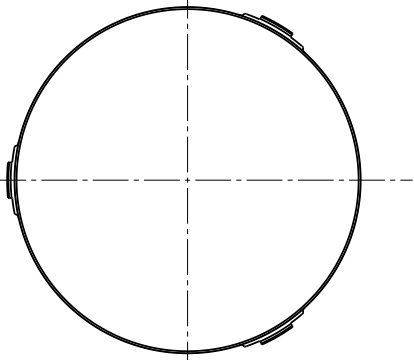
Bottom view



Isometric view



Front view



Top view

1

2

3

4

Tolerances if not otherwise shown  
 according to ISO 2768-1  
 Linear measures:  
 up to 30mm class F, otherwise class M.  
 According to DIN ISO 2768-2  
 Form and position: class K



THIRD ANGLE PROJECTION:

This drawing is the property  
 of LEDIL Oy. It may not be  
 reproduced, copied or  
 communicated without a written  
 agreement with LEDIL Oy."

**LEDIL**

Ledil Oy  
 Salorankatu 10  
 FIN 24240 SALO  
 Finland

DRAWING TITLE

ANGE - RZ - Lens

SIZE PART NUMBER

A3  
 Datasheet

SCALE 3:2 WEIGHT (g)

SHEET 1/1

H G F E D C B A

1

2

3

4

**NOTE: The typical divergence will be changed by different color, chip size and chip position tolerance. The typical total divergence is the full angle measured where the luminous intensity is half of the peak value.**