



PRODUCT DATASHEET

Mirella series

last update 19/9/2014

DETAILS

Product Number	C13333_MIRELLA-CL
Family	Mirella
Type	Lens
Color	clear
Diameter	41 mm
Height	3.4 mm
Style	round
Optic Material	PC
Holder Material	
Fastening	
Status	ready
ROHS Compliant	Yes
Date Updated	19/09/2014



OPTICAL PROPERTIES

LED	Viewing Angle	Light Beam	Efficiency	cd/lm	connector
	N/A degrees		-	(simulated) 0.000	-

H

G

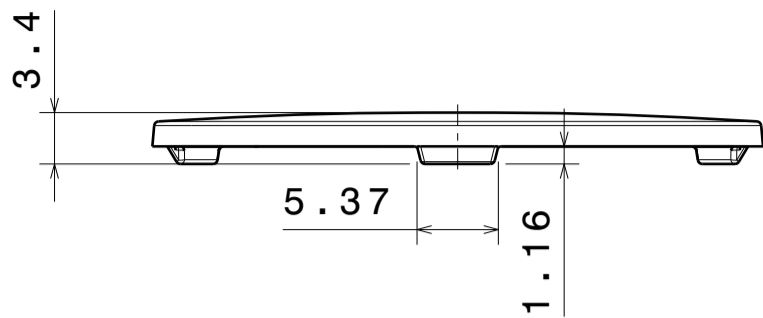
F

E

D

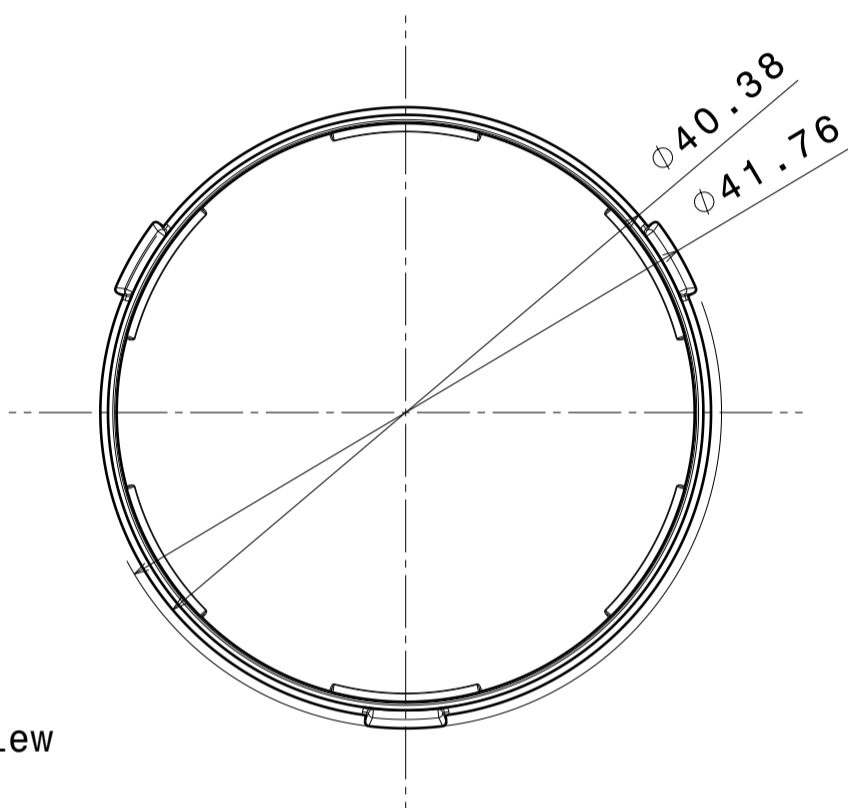
C

4



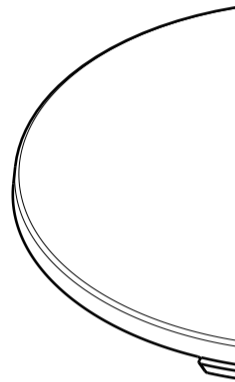
Front view

3



Bottom view

2




Isometric view

1

INDEX	P
1	C

Tolerances if not otherwise shown
 According to DIN ISO 2768-1
 Linear measures: class M
 According to DIN ISO 2768-2
 Form and position: class L

THIRD ANGLE PROJECTION: 

This drawing is the property of LEDiL Oy. It may not be reproduced, copied or communicated without a written agreement with LEDiL Oy.

LED

DRAW

SIZE

A3

SCALE

H

G

NOTE: The typical divergence will be changed by different color, chip size and chip position tolerance. The typical total divergence is the full angle measured where the luminous intensity is half of the peak value.