



PRODUCT DATASHEET

Lena series

last update 26/8/2014

DETAILS

Product Number	C11979_LENA-S
Family	Lena
Type	Reflector
Color	metal
Diameter	111 mm
Height	80 mm
Style	round
Optic Material	PC
Holder Material	
Fastening	
Status	ready
ROHS Compliant	Yes
Date Updated	26/08/2014



OPTICAL PROPERTIES

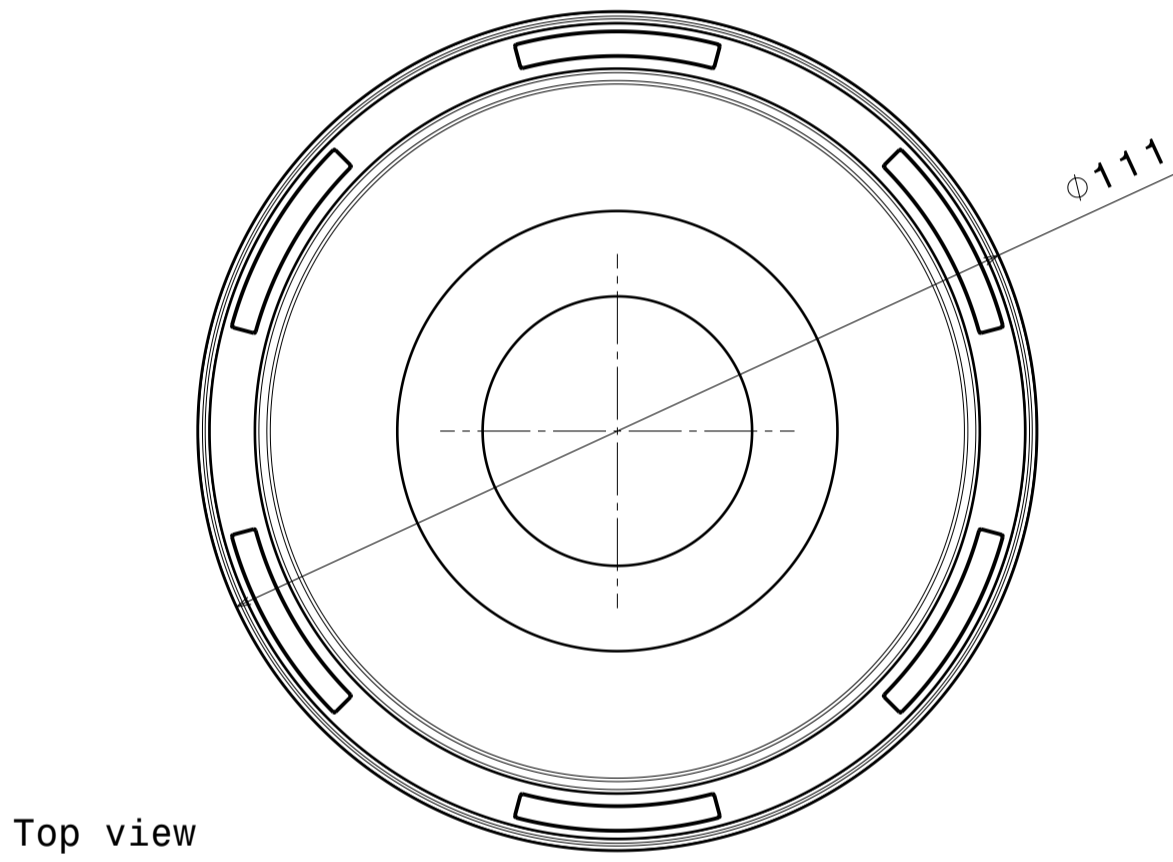
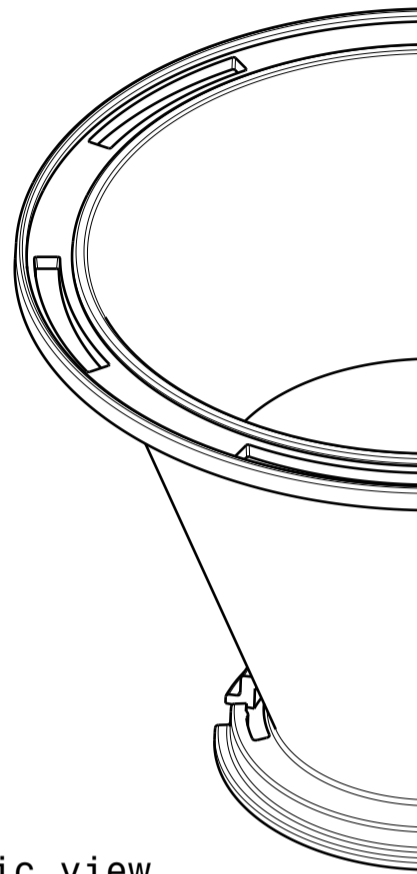
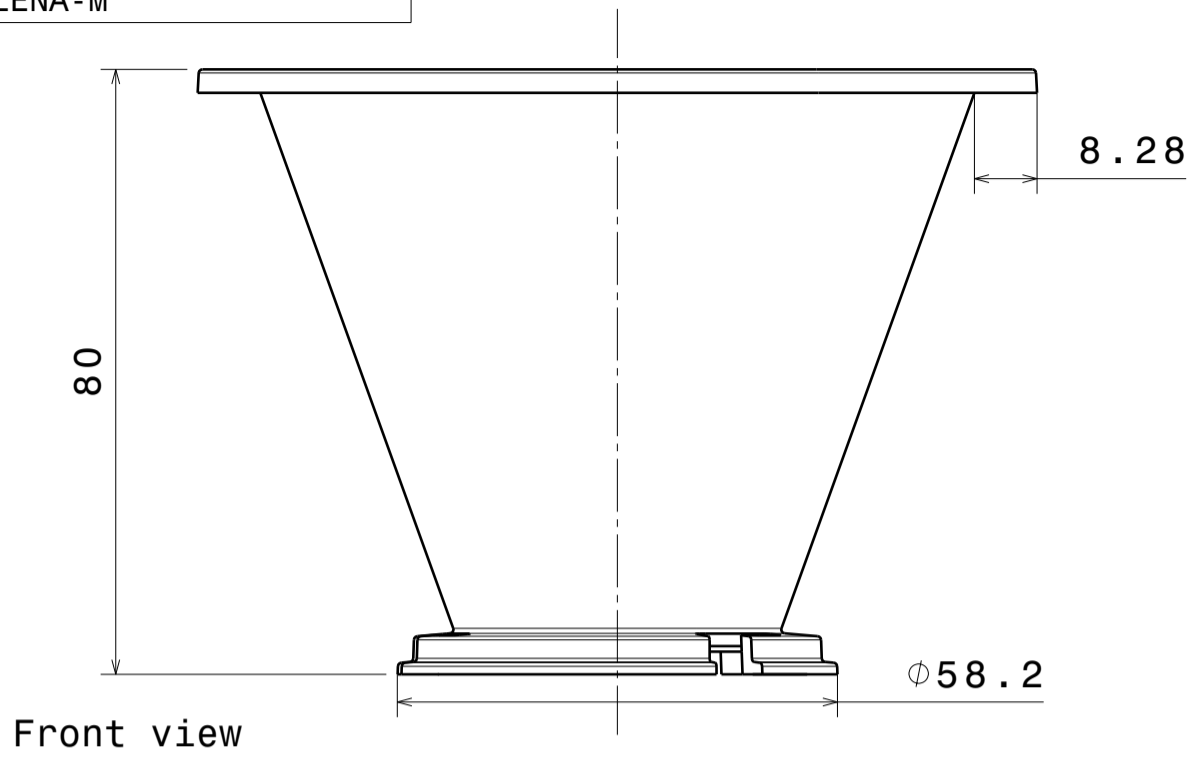
LED	Viewing Angle	Light Beam	Efficiency	cd/lm	connector
	N/A degrees		-	(simulated) 0.000	-

This drawing applies to:

C11979_LENA-S

C11980_LENA-W

C12154_LENA-M



Isometric view

Top view

Tolerances if not otherwise shown
According to DIN ISO 2768-1
Linear measures: class M
According to DIN ISO 2768-2
Form and position: class L

THIRD ANGLE PROJECTION:



This drawing is the property
of LEDiL Oy. It may not be
reproduced, copied or
communicated without a written
agreement with LEDiL Oy.

LED

DRAW

SIZE

A3

SCALE

NOTE: The typical divergence will be changed by different color, chip size and chip position tolerance. The typical total divergence is the full angle measured where the luminous intensity is half of the peak value.

GENERAL INFORMATION

- Product series especially designed & optimized for series of LEDs.
- Special care taken to make light distribution as uniform as possible.
- Reflector is made of aluminium coated PC (120 degrees of Celcius / 248 degrees of Fahrenheit) with protective lacquer (short term 100 degrees of Celcius / 212 degrees of Fahrenheit).