



**PRODUCT DATASHEET**  
**ANGELA series**  
 last update 30/6/2014

**DETAILS**

|                        |                 |
|------------------------|-----------------|
| <b>Product Number</b>  | F13379_ANGELA-S |
| <b>Family</b>          | ANGELA          |
| <b>Type</b>            | Reflector       |
| <b>Color</b>           | metal           |
| <b>Diameter</b>        | 119.5 mm        |
| <b>Height</b>          | 74.27 mm        |
| <b>Style</b>           | round           |
| <b>Optic Material</b>  | PC              |
| <b>Holder Material</b> |                 |
| <b>Fastening</b>       | socket          |
| <b>Status</b>          | ready           |
| <b>ROHS Compliant</b>  | Yes             |
| <b>Date Updated</b>    | 13/06/2014      |



**OPTICAL PROPERTIES**

| LED                              | Viewing Angle  | Light Beam | Efficiency       | cd/lm              | connector   |
|----------------------------------|----------------|------------|------------------|--------------------|---|
| PrevaLED Core Z3 LES9            | (simulated) 9  |            | (simulated) 91 % | (simulated) 15.500 | Z50 Optic Clip part n r. 2213194-1 TE             |
| PrevaLED Core Z3 LES19           | (simulated) 14 |            | (simulated) 94 % | (simulated) 8.100  | Z50 Optic Clip part n r. 2213194-1 TE             |
| PrevaLED Core Z3 LES23           | (simulated) 16 |            | (simulated) 89 % | (simulated) 6.100  | Z50 Optic Clip part n r. 2213194-1 TE             |
| WU-M-461                         | (simulated) 11 |            | -                | (simulated) 0.000  | Z50 Optic Clip part n r. 2213194-1 TE             |
| WU-M-462                         | (simulated) 13 |            | -                | (simulated) 0.000  | Z50 Optic Clip part n r. 2213194-1 TE             |
| WU-M-464                         | (simulated) 15 |            | -                | (simulated) 0.000  | Z50 Optic Clip part n r. 2213194-1 TE             |
| LUXEON CoB 1204/1205             | (simulated) 10 |            | (simulated) 92 % | (simulated) 20.700 | -   |
| PrevaLED Core AC (LEP-800)       | 8 degrees      |            | 94 %             | 19.800             | Z50 Optic Clip part n r. 2213194-1 TE             |
| NSBxL121A/NFCxL060B              | 8 degrees      |            | 94 %             | 24.000             | Solderless connector part nr. 180580-0005 Molex   |
| Soleriq S13                      | 8 degrees      |            | 94 %             | 22.000             | Solderless connector part nr. 2213401-2 + Z50     |
| LUXEON CoB 1202/1209             | 8 degrees      |            | 94 %             | 19.940             | Solderless connector part nr. 2213130-2 + Z50     |
| Optic Clip part nr. 2213194-1 TE | 9 degrees      |            | 93 %             | 17.900             | Z50 Optic Clip part n r. 2213194-1 TE             |
| CXM-14                           | 9 degrees      |            | 94 %             | 19.000             | TE: Solderless connec                             |
| Optic Clip part nr. 2213194-1 TE | 9 degrees      |            | 94 %             | 18.600             | for part nr 2213254-2 + Z50 TE: Solderless connec |

September 17th 2014, 15:40 Copyright Ledil Oy - Subject to change without prior notice - Page 1/18



**PRODUCT DATASHEET**  
**ANGELA series**  
last update 30/6/2014

Optic Clip part nr. 2213194-1 TE

tor part nr 2213254-2 + Z50



**PRODUCT DATASHEET**  
**ANGELA series**  
last update 30/6/2014

LUXEON CoB 1208

10 degrees

94 %

15.850

Solderless connector



**PRODUCT DATASHEET**  
**ANGELA series**  
last update 30/6/2014

Optic Clip part nr. 2213194-1 TE

part nr. 2213130-2 + Z50



**PRODUCT DATASHEET**  
**ANGELA series**  
last update 30/6/2014

PrevaLED Core Z4 LES19

10 degrees

93 %

13.300

Z50 Optic Clip part n



**PRODUCT DATASHEET**  
**ANGELA series**  
last update 30/6/2014

r. 2213194-1 TE



**PRODUCT DATASHEET**  
**ANGELA series**  
last update 30/6/2014

Soleriq S19

10 degrees

94 %

13.500

Solderless connector



**PRODUCT DATASHEET**  
**ANGELA series**  
last update 30/6/2014

Optic Clip part nr. 2213194-1 TE

part nr. 2213407-2 + Z50





**PRODUCT DATASHEET**  
**ANGELA series**  
last update 30/6/2014

PrevaLED Core AC (LEP-2000)

11 degrees

92 %

11.200

Z50 Optic Clip part n



**PRODUCT DATASHEET**  
**ANGELA series**  
last update 30/6/2014

r. 2213194-1 TE



**PRODUCT DATASHEET**  
**ANGELA series**  
last update 30/6/2014

STARK SLE G3 LES19

11 degrees

93 %

20.700

Z50 Optic Clip part n



**PRODUCT DATASHEET**  
**ANGELA series**  
last update 30/6/2014

r. 2213194-1 TE



**PRODUCT DATASHEET**  
**ANGELA series**  
last update 30/6/2014

WU-M-485

13 degrees

93 %

9.530

Z50 Optic Clip part n



**PRODUCT DATASHEET**  
**ANGELA series**  
last update 30/6/2014

r. 2213194-1 TE



**PRODUCT DATASHEET**  
**ANGELA series**  
last update 30/6/2014

WU-M-486

13 degrees

93 %

9.600

Z50 Optic Clip part n



**PRODUCT DATASHEET**  
**ANGELA series**  
last update 30/6/2014

r. 2213194-1 TE





**PRODUCT DATASHEET**  
**ANGELA series**  
last update 30/6/2014

STARK SLE G3 LES23

14 degrees

93 %

8.000

Z50 Optic Clip part n



**PRODUCT DATASHEET**  
**ANGELA series**  
last update 30/6/2014

r. 2213194-1 TE

H

G

F

E

D

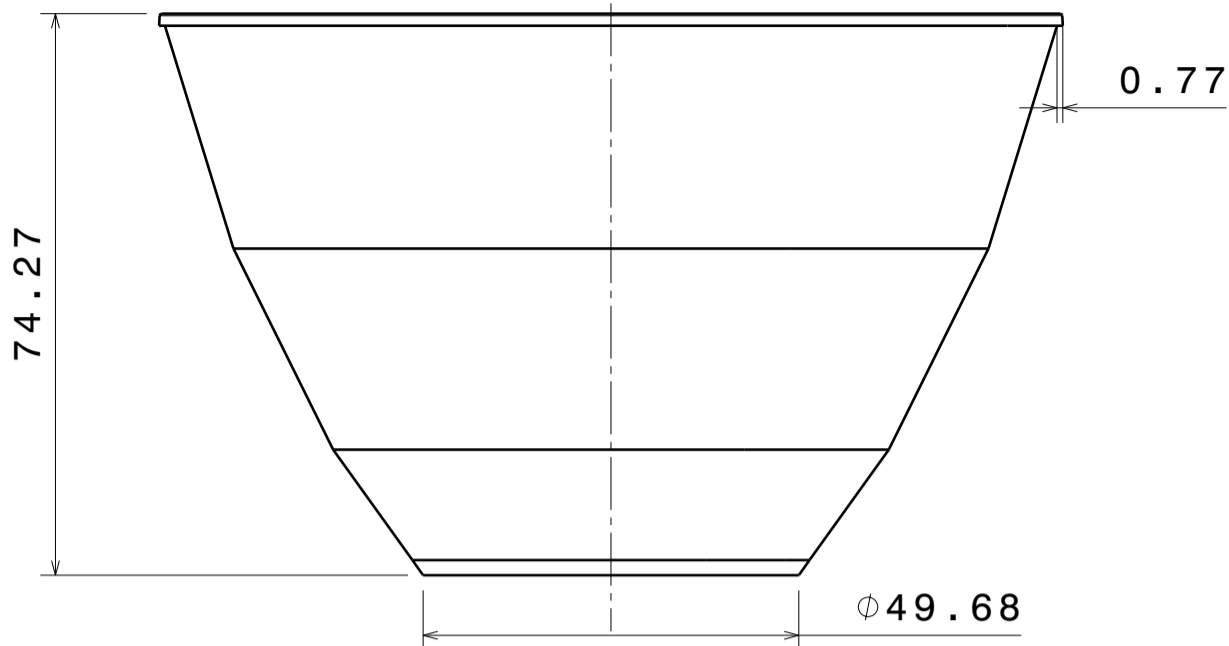
C

4

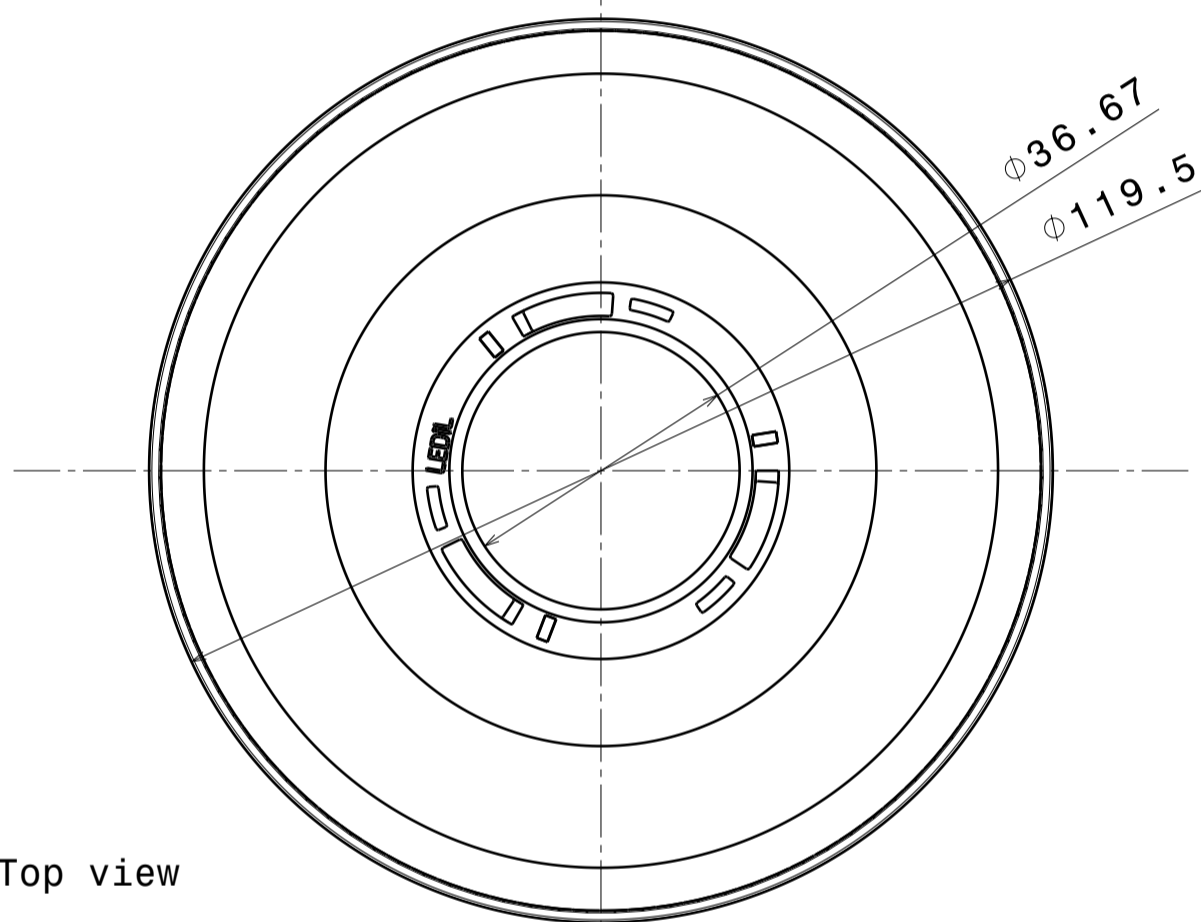
3

2

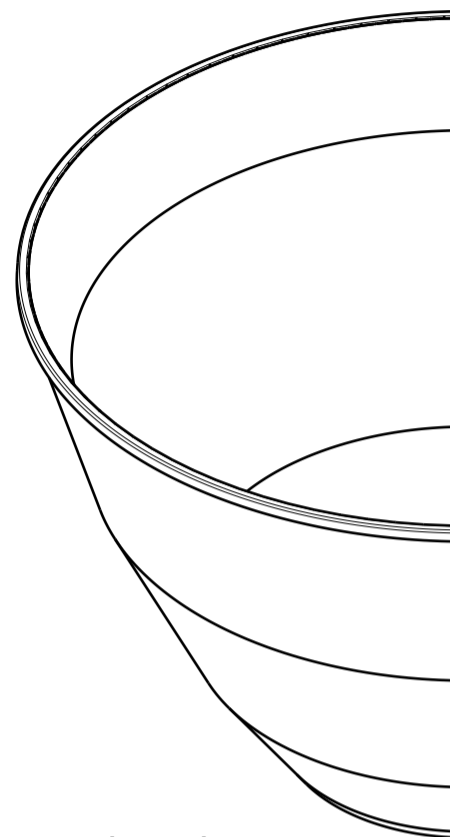
1



Front view



Top view



Isometric view

|       |   |
|-------|---|
| INDEX | F |
| 1     | F |

Tolerances if not otherwise shown  
 According to DIN ISO 2768-1  
 Linear measures: class M  
 According to DIN ISO 2768-2  
 Form and position: class L

THIRD ANGLE PROJECTION:



This drawing is the property  
 of LEDiL Oy. It may not be  
 reproduced, copied or  
 communicated without a written  
 agreement with LEDiL Oy.

LEDiL

DRAWN

SIZE

A3

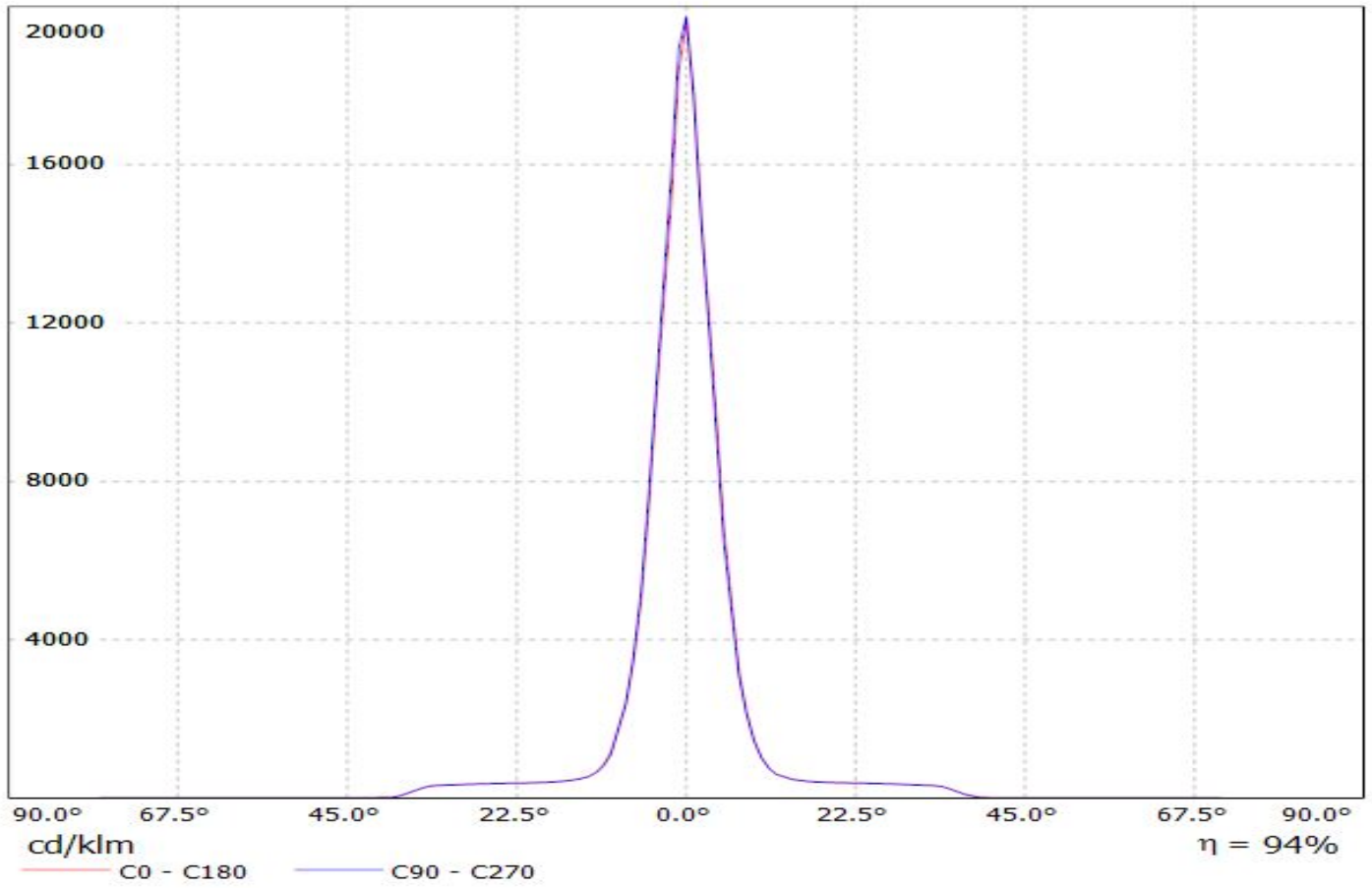
SCALE

H

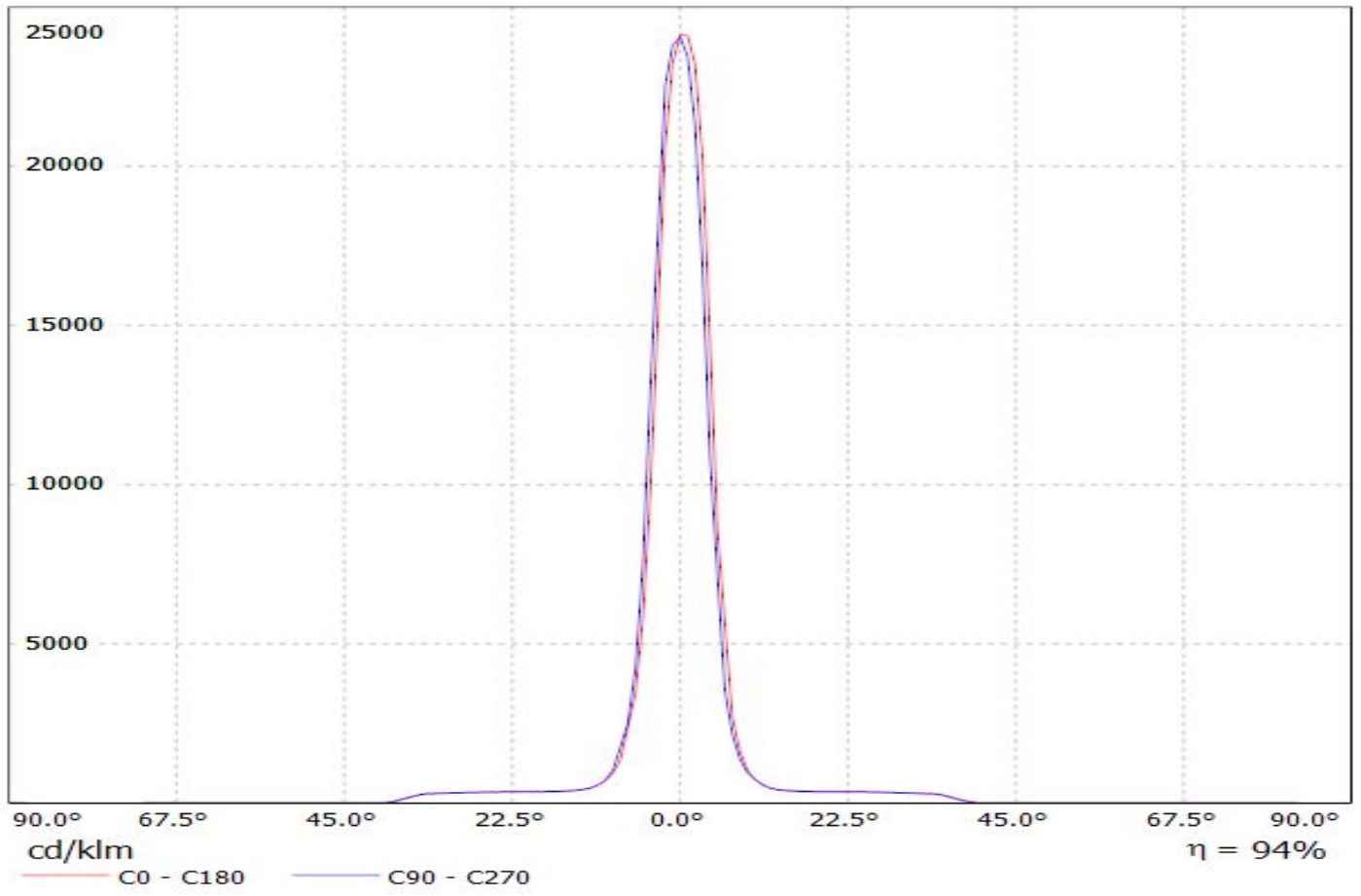
G

Luminaire: LEDiL Oy F13379\_ANGELA-S\_(LEP-800-827-C-AC) Eff.94%

Lamps: 1 x Osram\_PrevaLED\_Core-AC\_(LEP-800-827-C-AC)\_914.023lm@60mA\_P=14W\_I=60mA

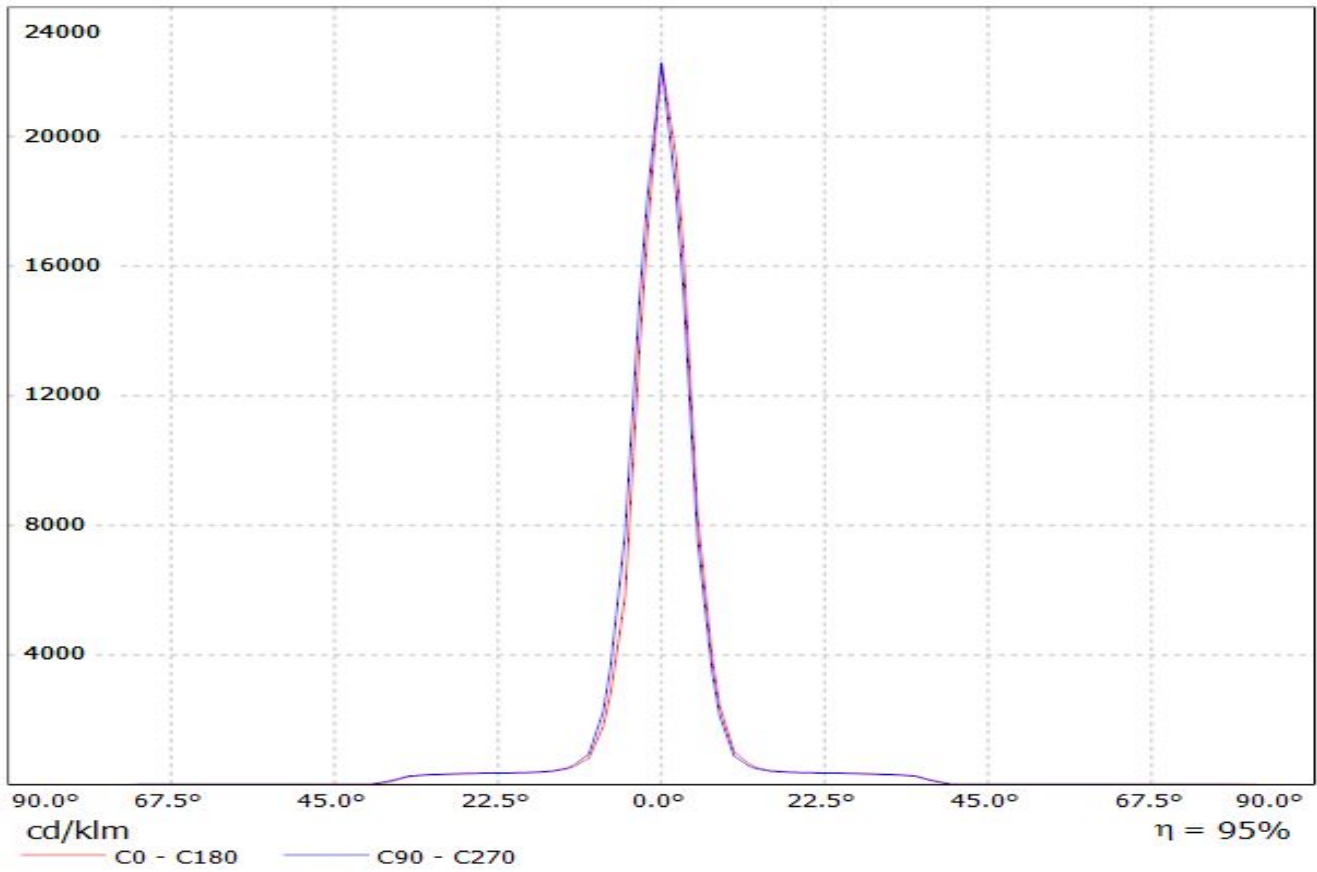


Luminaire: LEDiL Oy F13379\_ANGELA-S\_(NSBxL121A) Eff.95.0%  
Lamps: 1 x Nichia\_NSBxL121A\_920.44lm@250mA\_P=7.57797W\_I=249.9mA

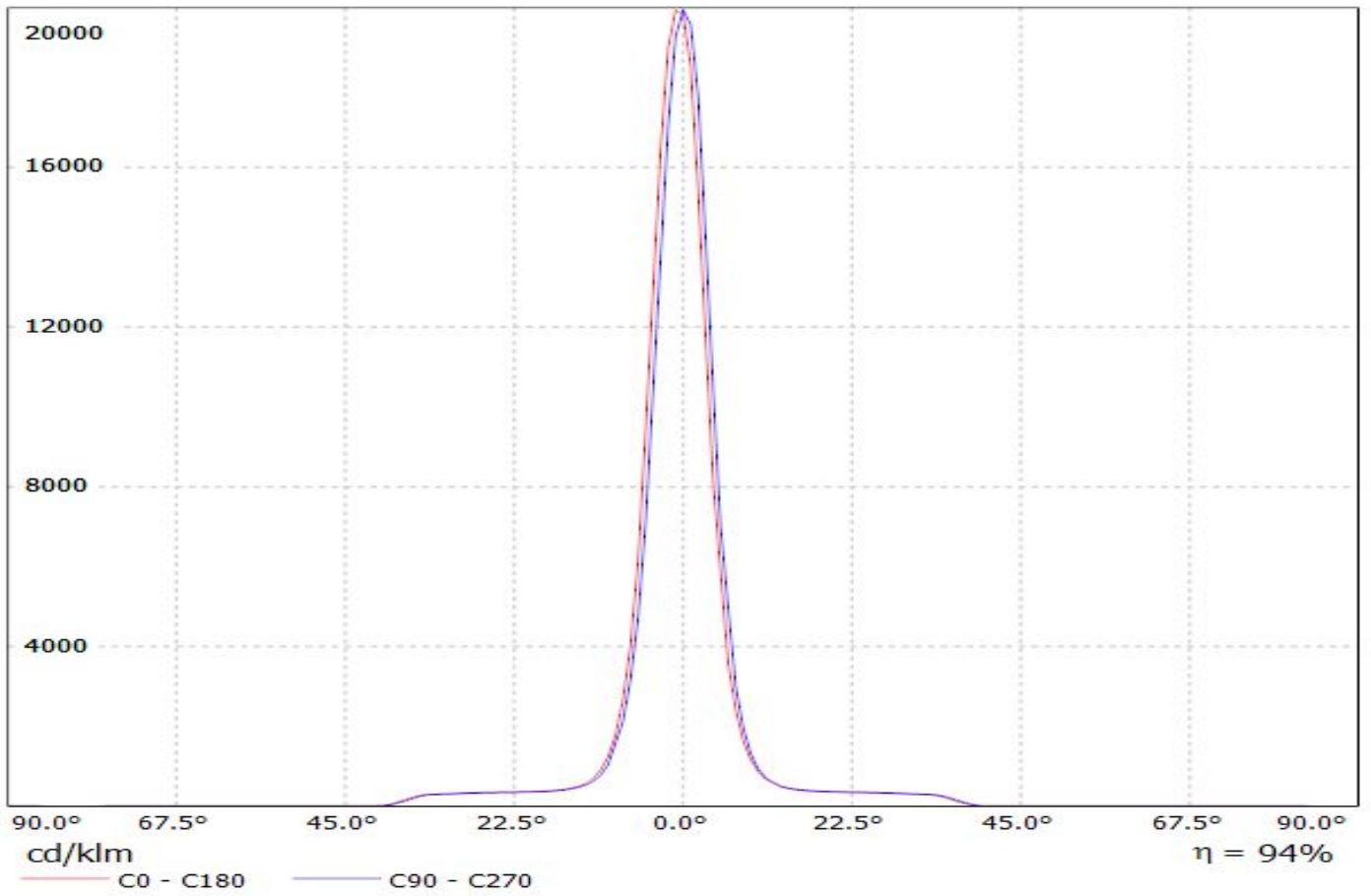


Luminaire: LEDiL Oy F13379\_ANGELA-S\_(SOLERIQ\_S13)

Lamps: 1 x Osram\_SOLERIQ\_S13\_877.374lm@250mA\_P=7.44379W\_I=249.8mA

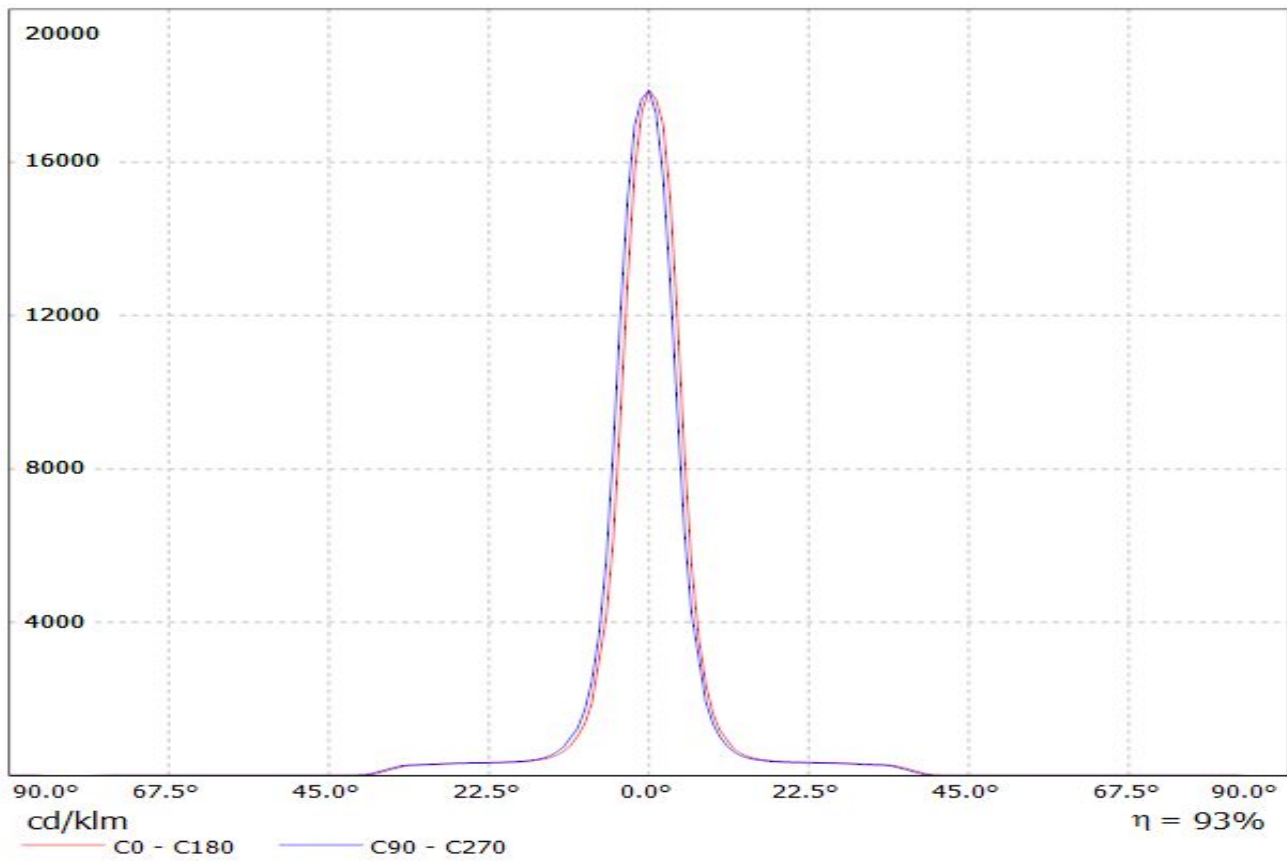


Luminaire: LEDiL Oy F13379\_ANGELA-S\_(COB\_1205) Eff.94.0%  
Lamps: 1 x Luxeon\_COB\_1205\_1092.75lm@250mA\_P=8.33092W\_I=249.9mA



Luminaire: LEDiL Oy F13379\_ANGELA-S\_(WU-M-484)

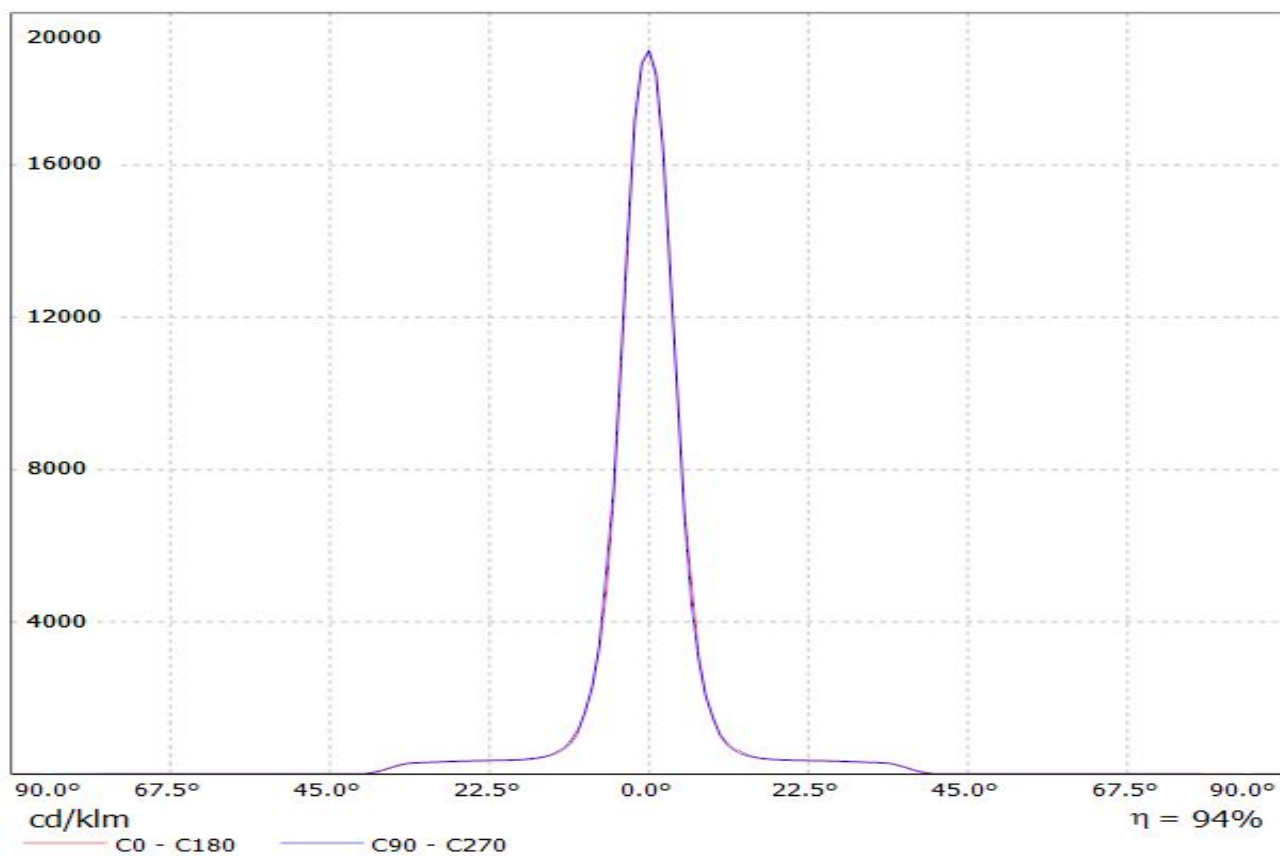
Lamps: 1 x Vossloh\_Schwabe-WU-M-484\_(WU-M-484-830)\_657.721lm@250mA\_P=5.59451W\_I=249.9mA



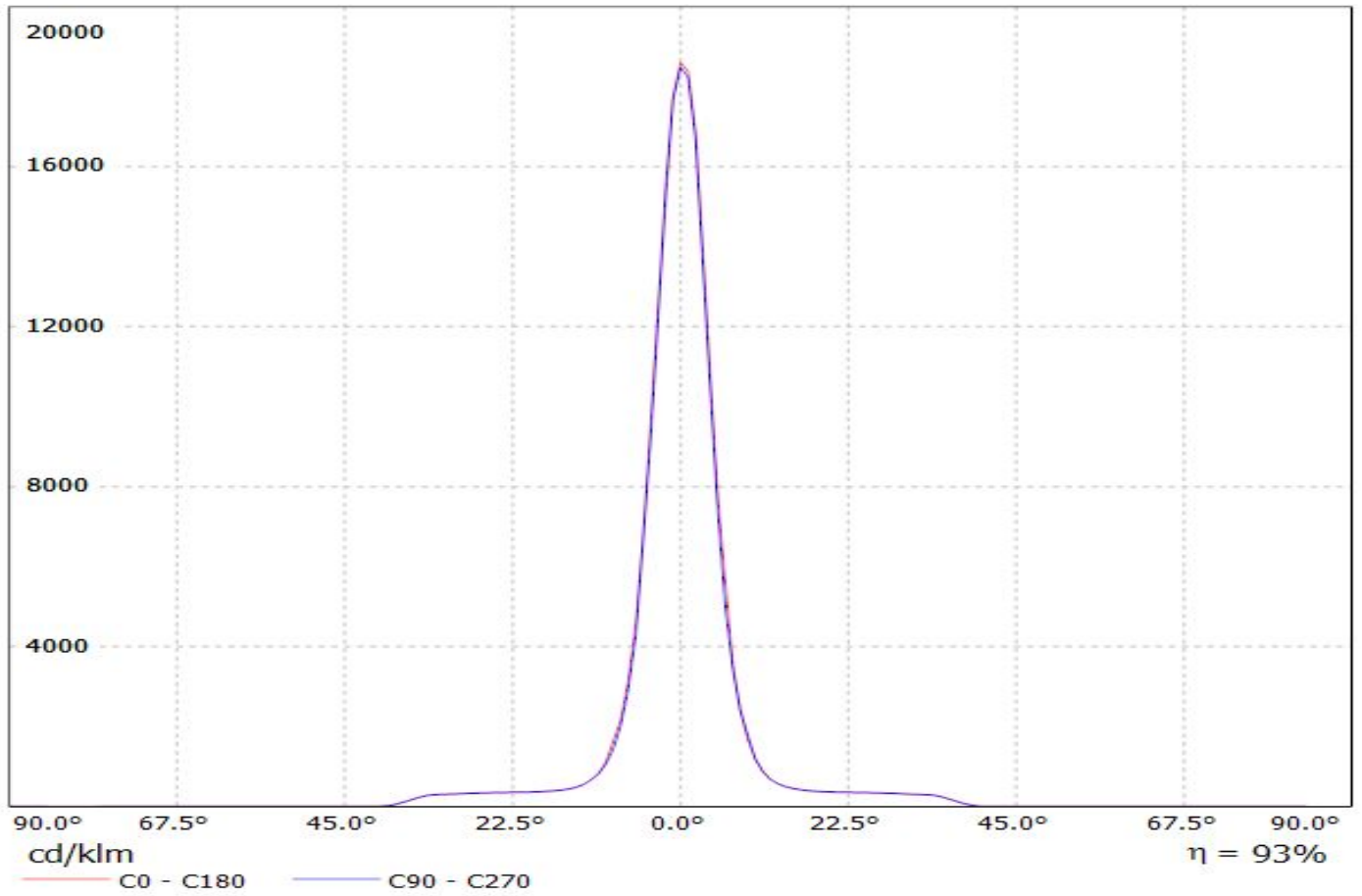


Luminaire: LEDiL Oy F13379\_ANGELA-S\_(CXM-14)

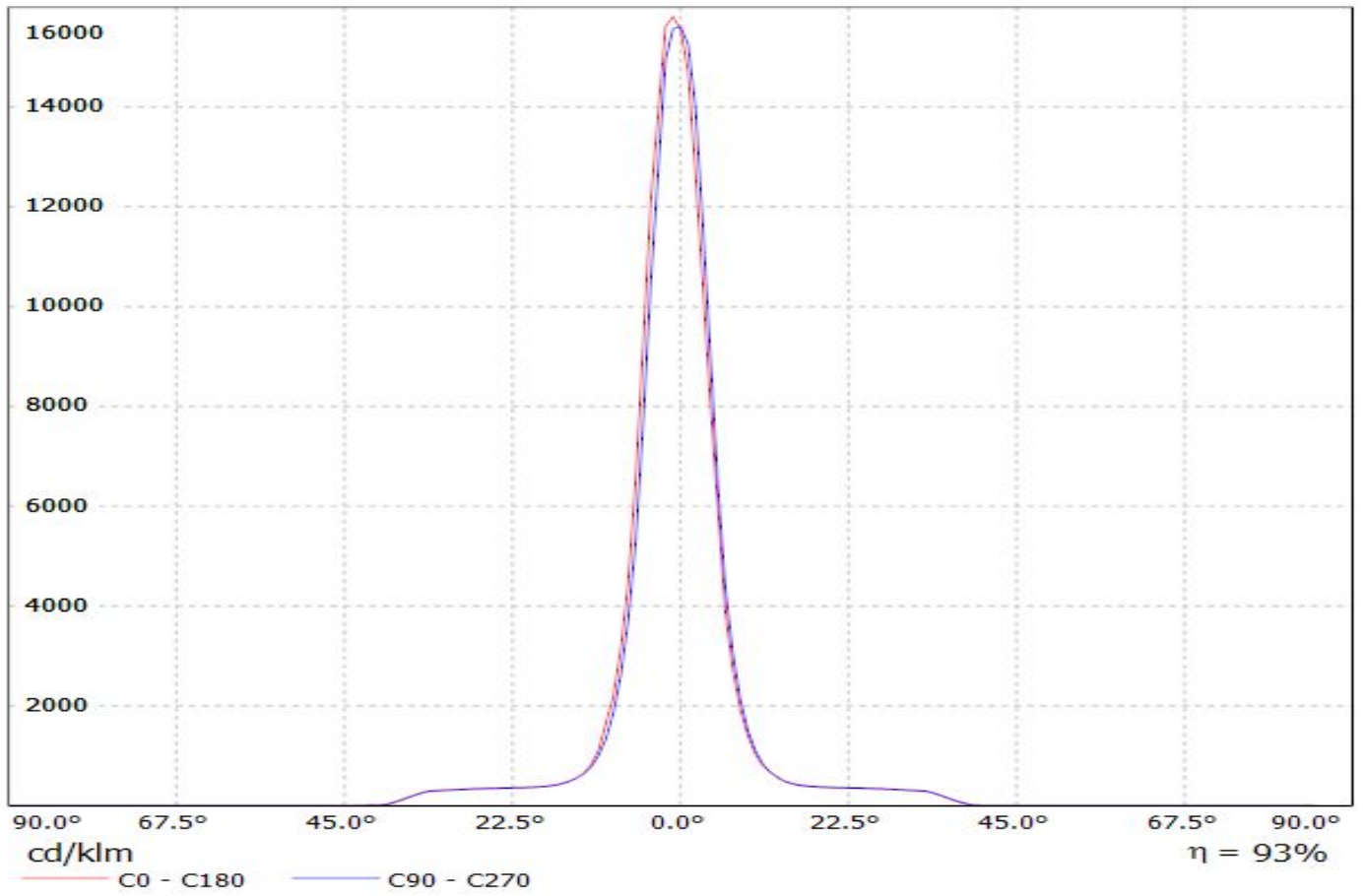
Lamps: 1 x LUMINUS\_CXM-14\_1114.36lm@250mA\_P=8.36106W\_I=249.8mA



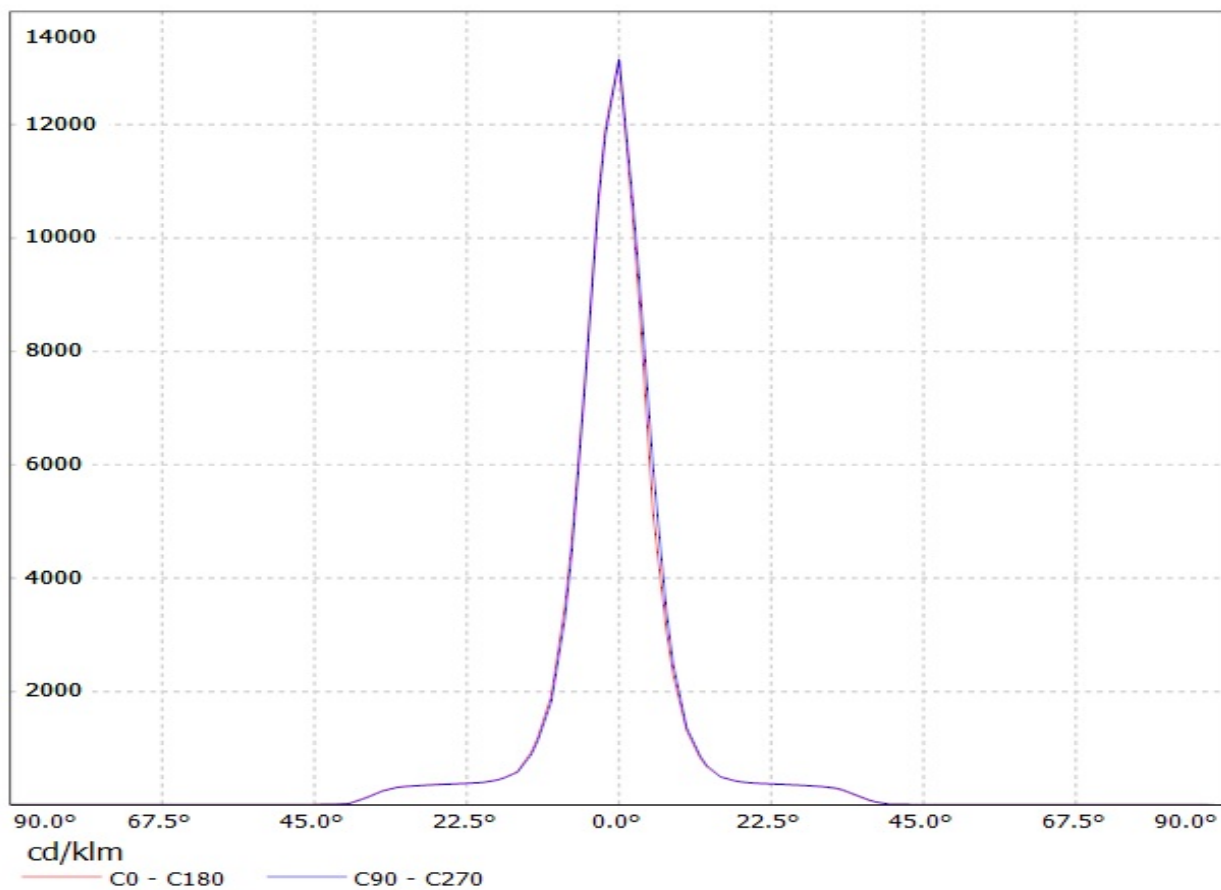
Luminaire: LEDiL Oy F13379\_ANGELA-S\_(CLL030) Eff.93.7%  
Lamps: 1 x CITIZEN\_CLL030\_(CLL030-1206A1-303M1A2)\_982.337lm@250mA\_P=8.39814W\_I=249.9mA



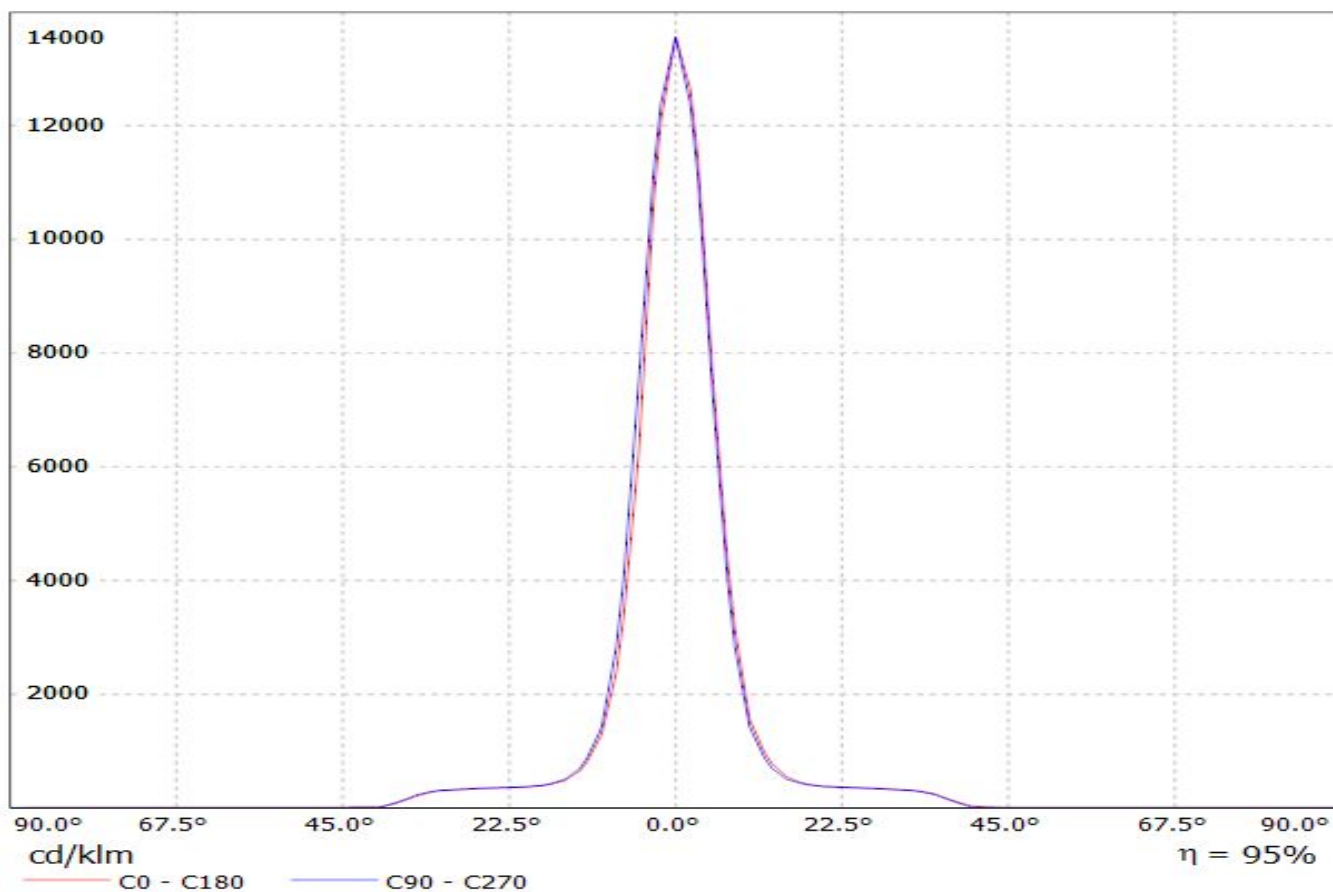
Luminaire: LEDiL Oy F13379\_ANGELA-S\_(COB\_1208) Eff.93.7%  
Lamps: 1 x Luxeon\_COB\_1208\_1028.07lm@250mA\_P=8.23995W\_I=249.9mA



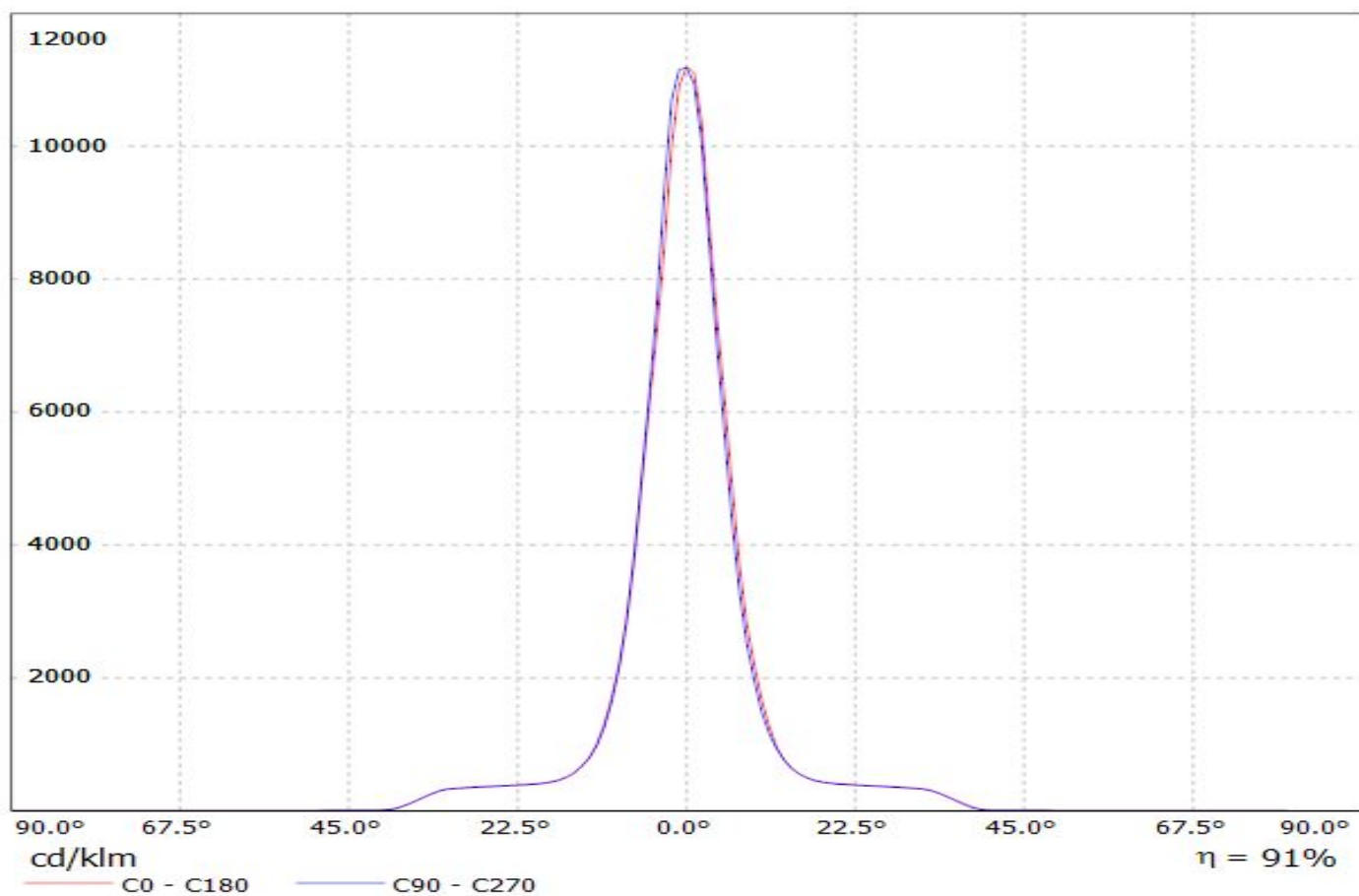
Luminaire: LEDiL Oy F13379\_ANGELA-S\_(PrevaLED\_Z4)\_Eff: 93%  
Lamps: 1 x Osram\_PrevaLED\_CORE\_Z4\_(PL-CORE-3000-830-Z4)\_1423.93lm@250mA\_P=10.7652W\_I=249.9mA



Luminaire: LEDiL Oy F13379\_ANGELA-S\_(SOLERIQ\_S19)  
Lamps: 1 x Osram\_SOLERIQ\_S19\_1390.09lm@250mA\_P=10.5413W\_I=249.8mA

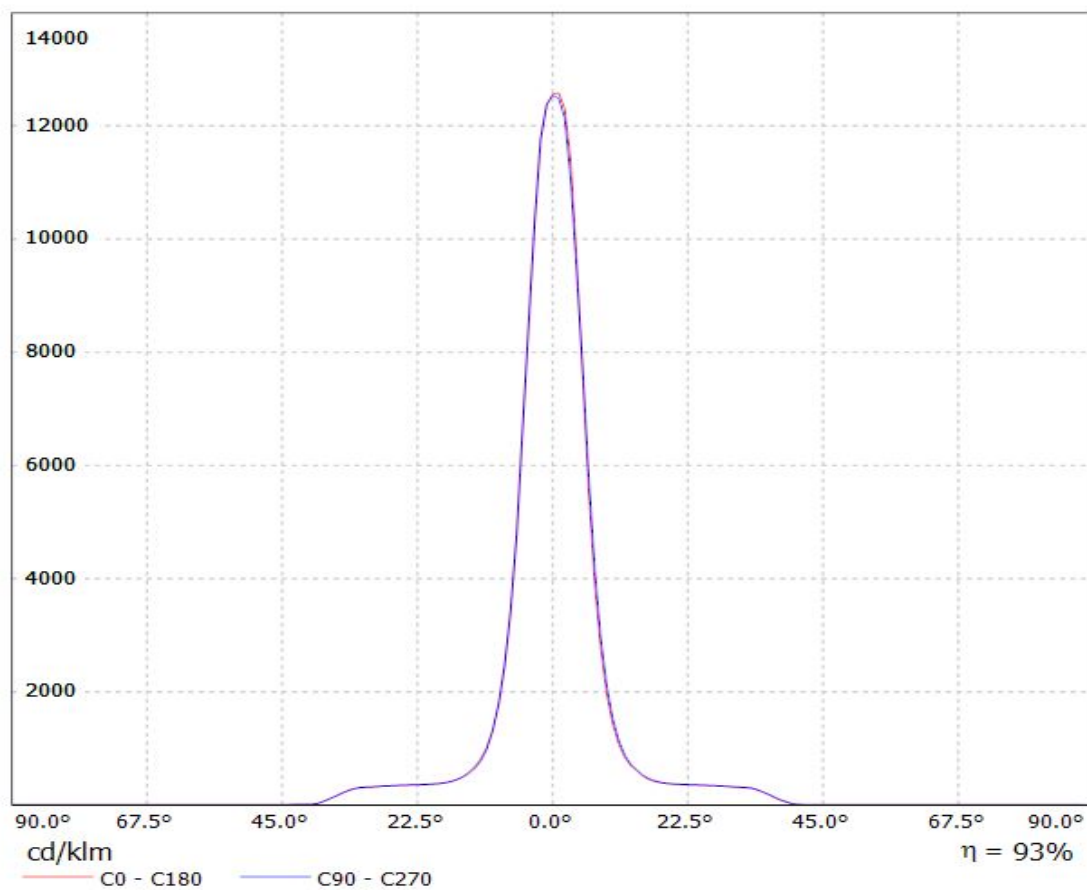


Luminaire: LEDiL Oy F13379\_ANGELA-S\_(LEP-2000-827-C-AC) Eff.91.7%  
Lamps: 1 x Osram\_PrevaLED\_Core-AC\_(LEP-2000-827-C-AC)\_1967.74lm@120mA\_P=27.2W\_I=120mA



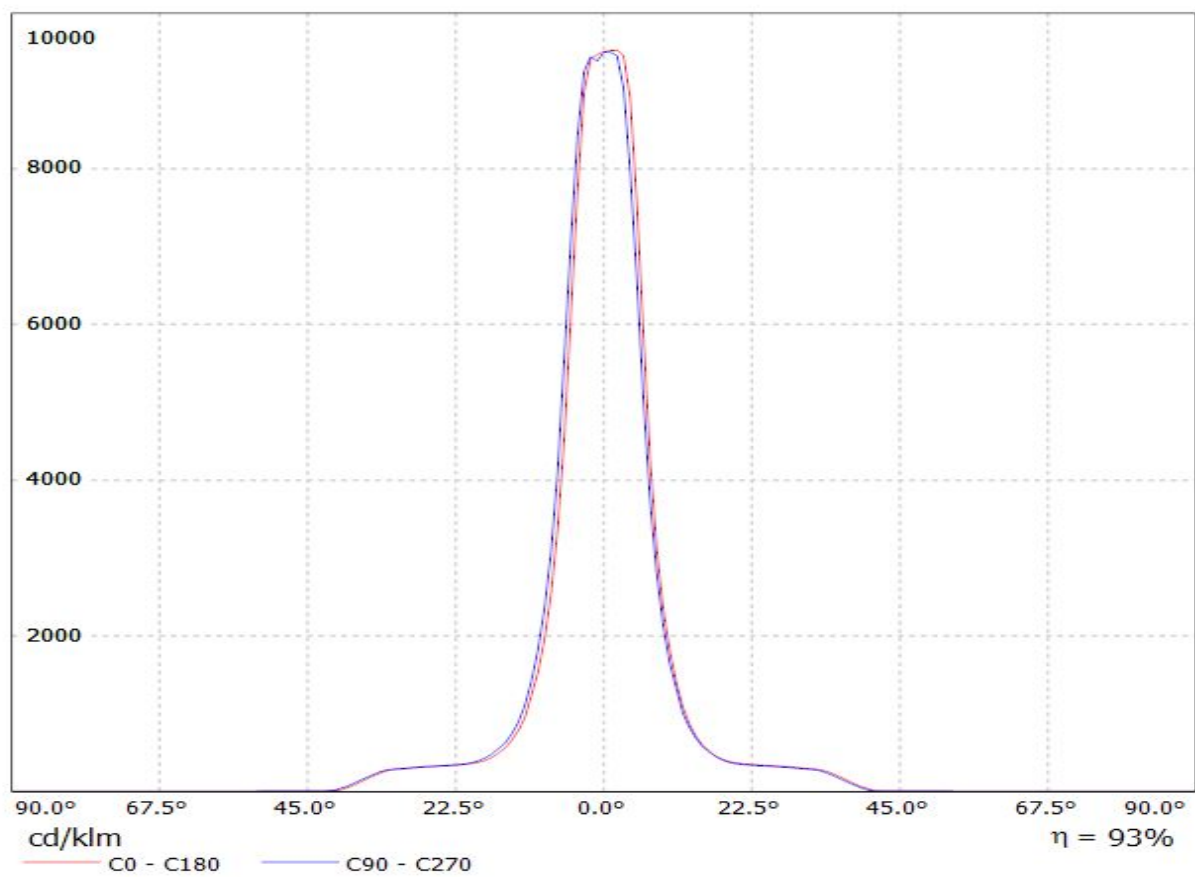
Luminaire: LEDiL Oy F13379\_ANGELA-S (STARK\_LES19)

Lamps: 1 x Tridonic\_STARK\_SLE\_G3\_LES19\_(Stark-SLE-PURE-G3-19-2000-840-CLA)\_1050.59lm@250mA\_P=8.3639W\_I=249.9mA



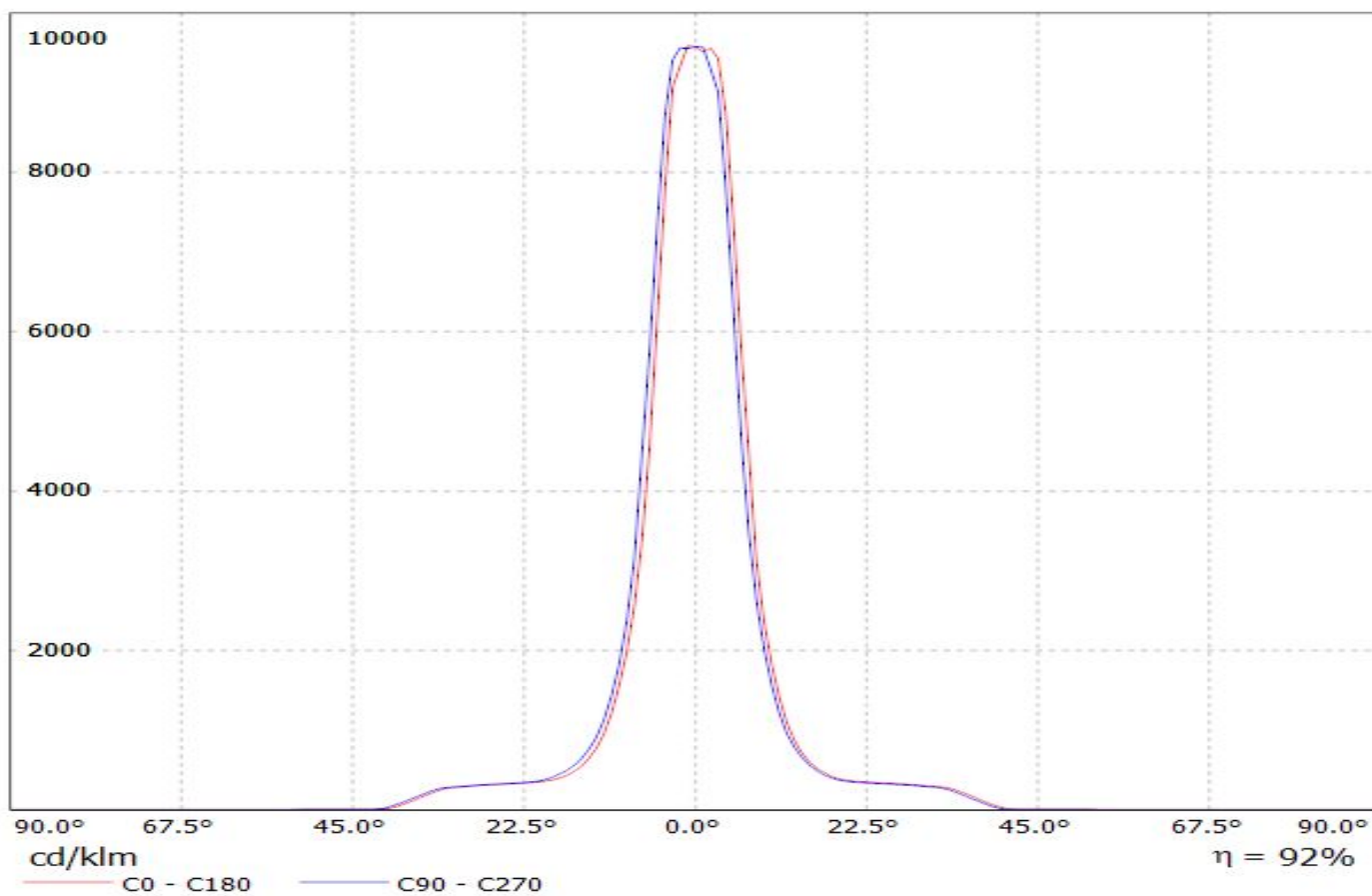
Luminaire: LEDiL Oy F13379\_ANGELA-S\_(WU-M-485)

Lamps: 1 x Vossloh\_Schwabe-WU-M-485\_(WU-M-485-830)\_1209.62lm@250mA\_P=8.43849W\_I=249.8mA



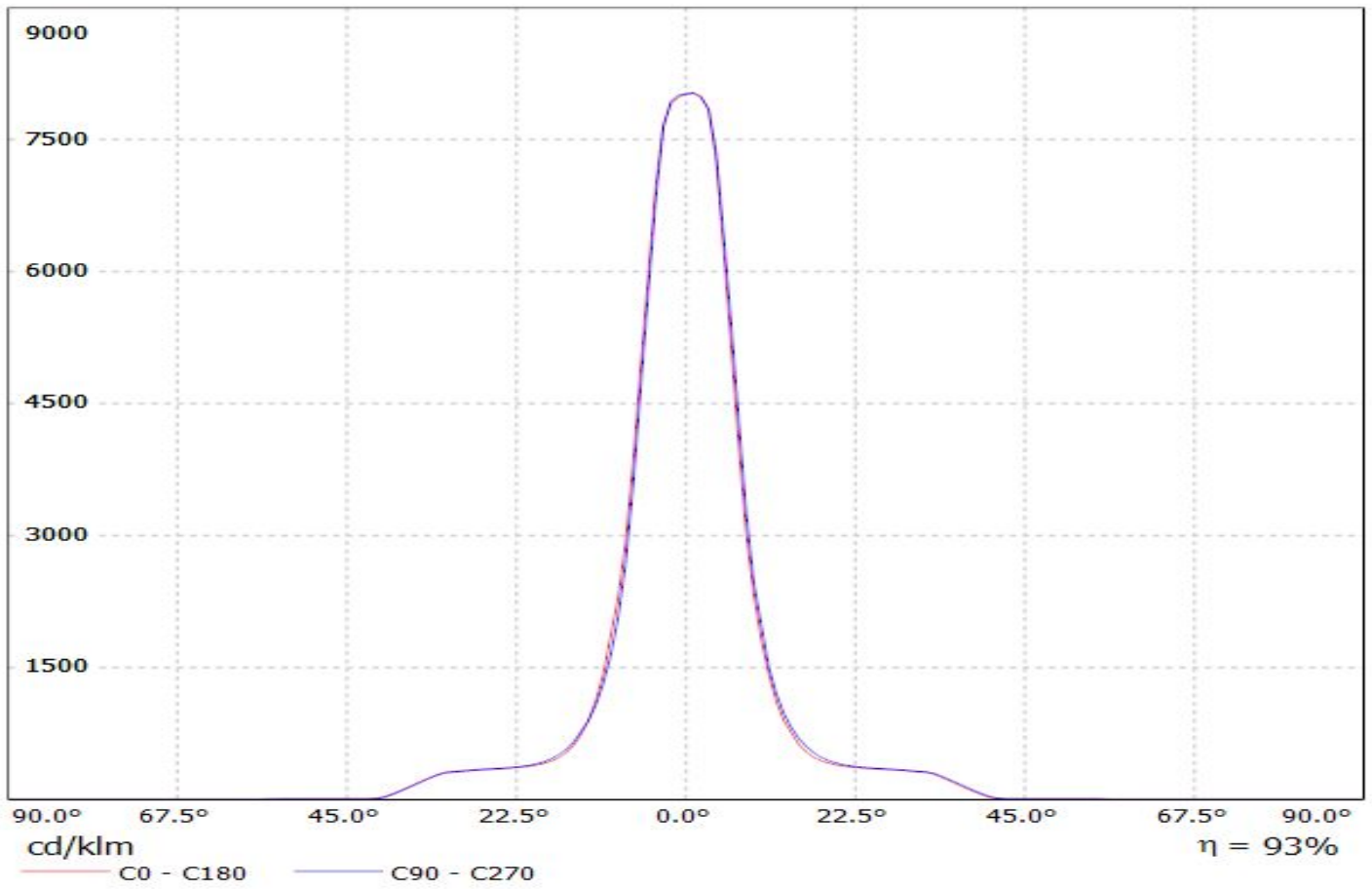


Luminaire: LEDiL Oy F13379\_ANGELA-S\_(WU-M-486) Eff.92.6%  
Lamps: 1 x Vossloh\_Schwabe-WU-M-486\_(WU-M-486-830)  
\_1474.55lm@250mA\_P=10.4456W\_I=249.8mA



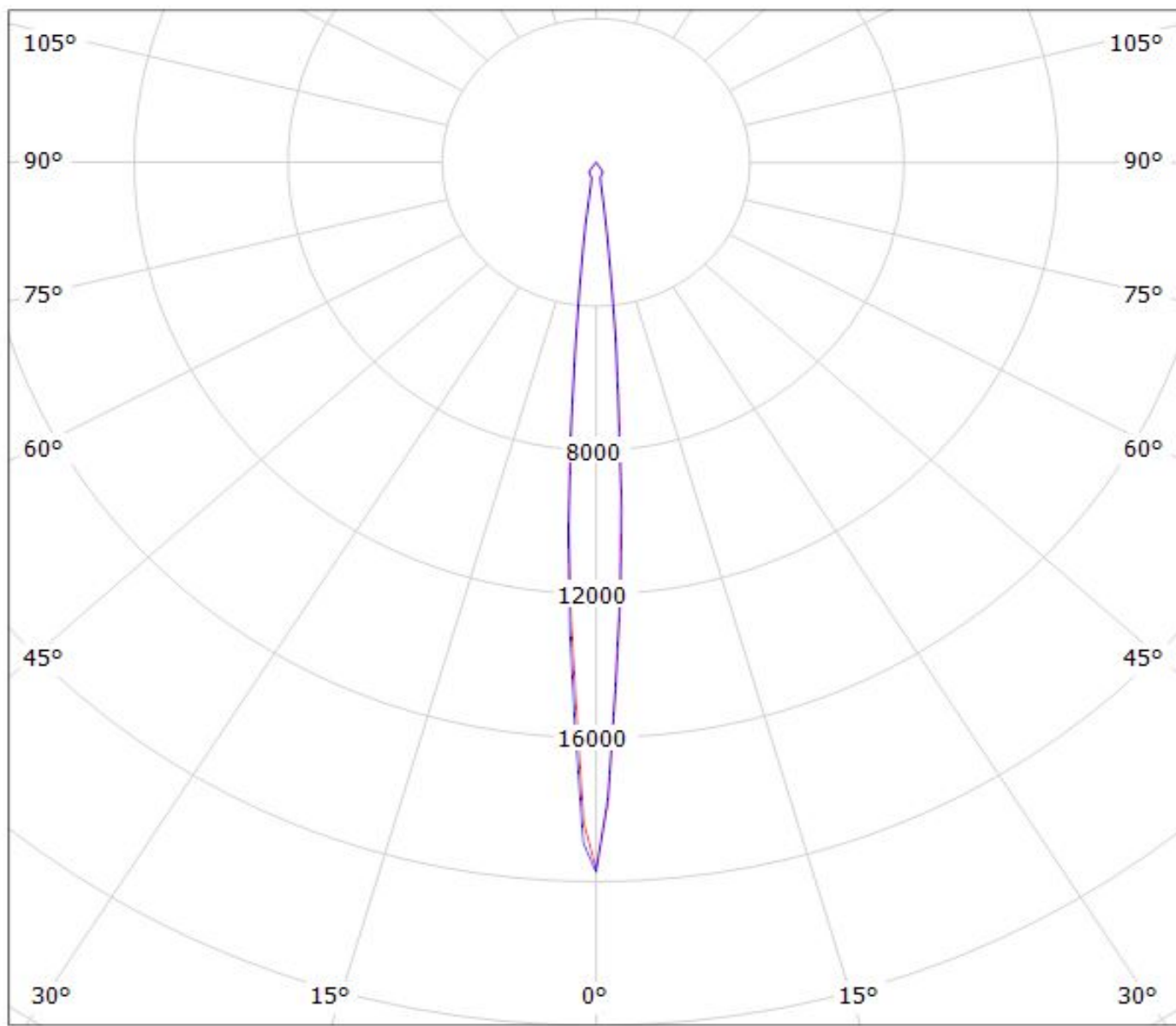
Luminaire: LEDiL Oy F13379\_ANGELA-S\_(STARK\_LES23) Eff.92.7%

Lamps: 1 x Tridonic\_STARK\_SLE\_G3\_LES23\_795.318lm@250mA\_P=8.22646W\_I=249.9mA



Luminaire: LEDiL Oy F13379\_ANGELA-S\_(LEP-800-827-C-AC) Eff.94%

Lamps: 1 x Osram\_PrevaLED\_Core-AC\_(LEP-800-827-C-AC)\_914.023lm@60mA\_P=14W\_I=60mA



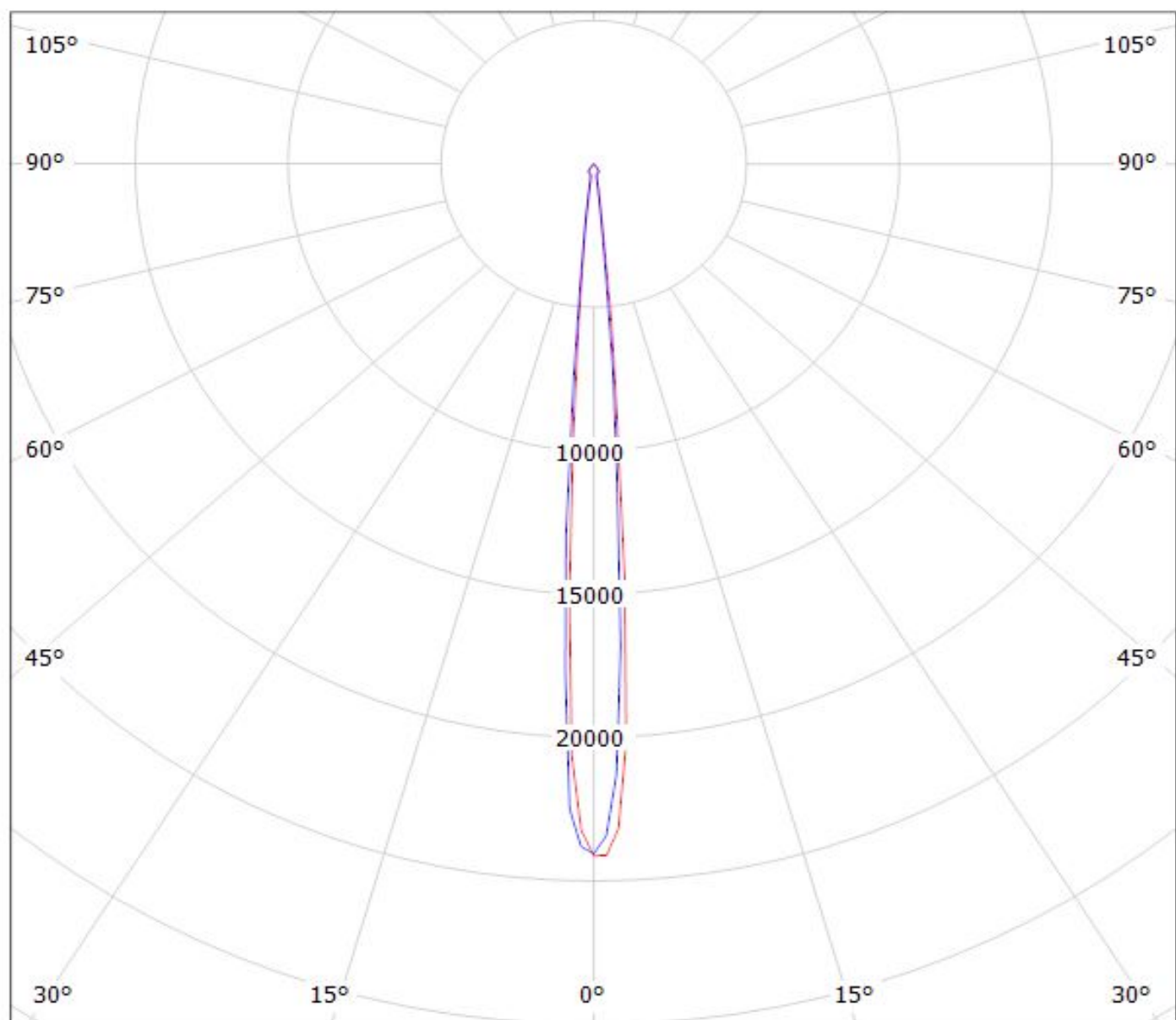
cd/klm

$\eta = 94\%$

— C0 - C180

— C90 - C270

Luminaire: LEDiL Oy F13379\_ANGELA-S\_(NSBxL121A) Eff.95.0%  
Lamps: 1 x Nichia\_NSBxL121A\_920.44lm@250mA\_P=7.57797W\_I=249.9mA



cd/klm

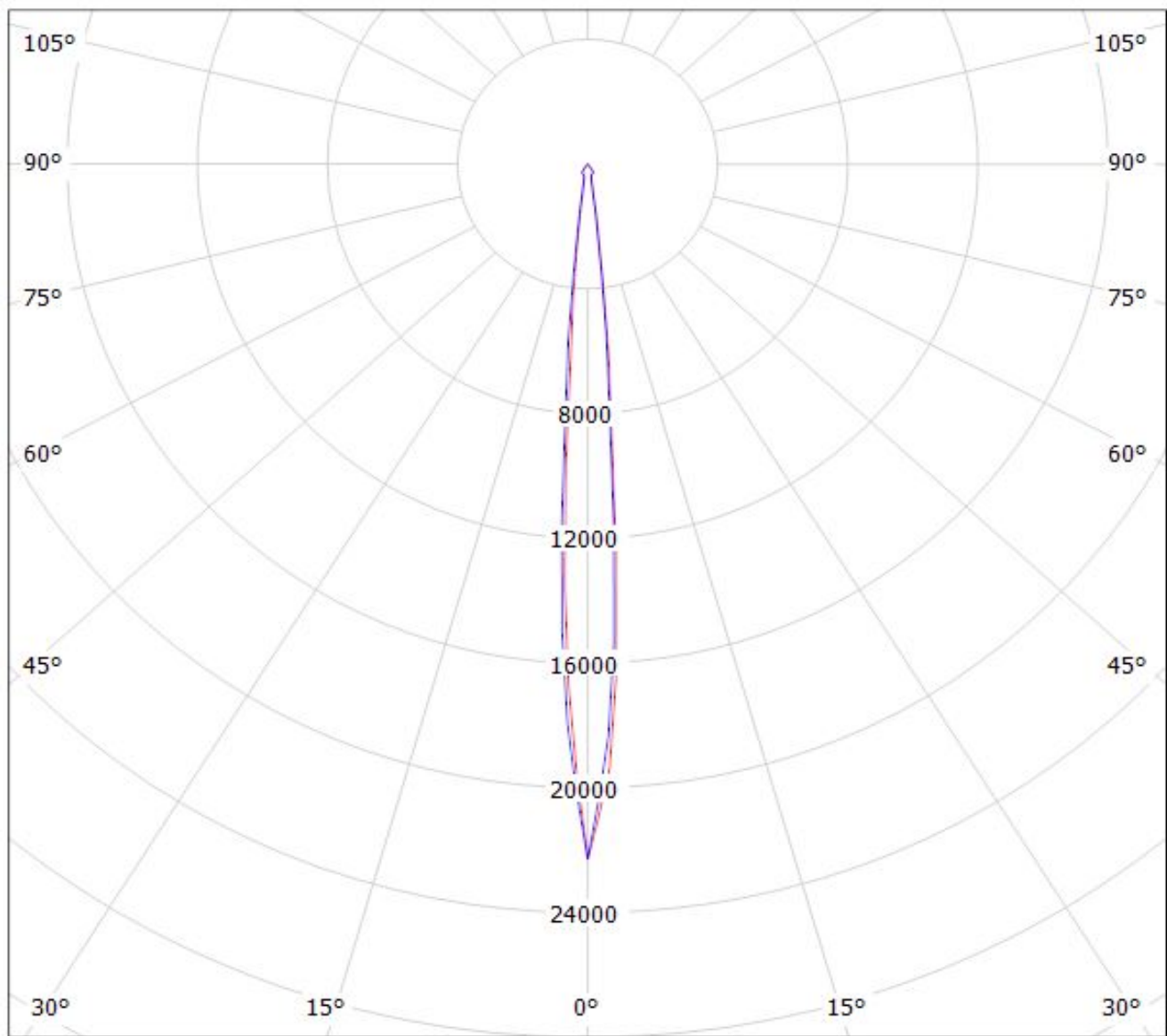
— C0 - C180

— C90 - C270

$\eta = 94\%$

Luminaire: LEDiL Oy F13379\_ANGELA-S\_(SOLERIQ\_S13)

Lamps: 1 x Osram\_SOLERIQ\_S13\_877.374lm@250mA\_P=7.44379W\_I=249.8mA



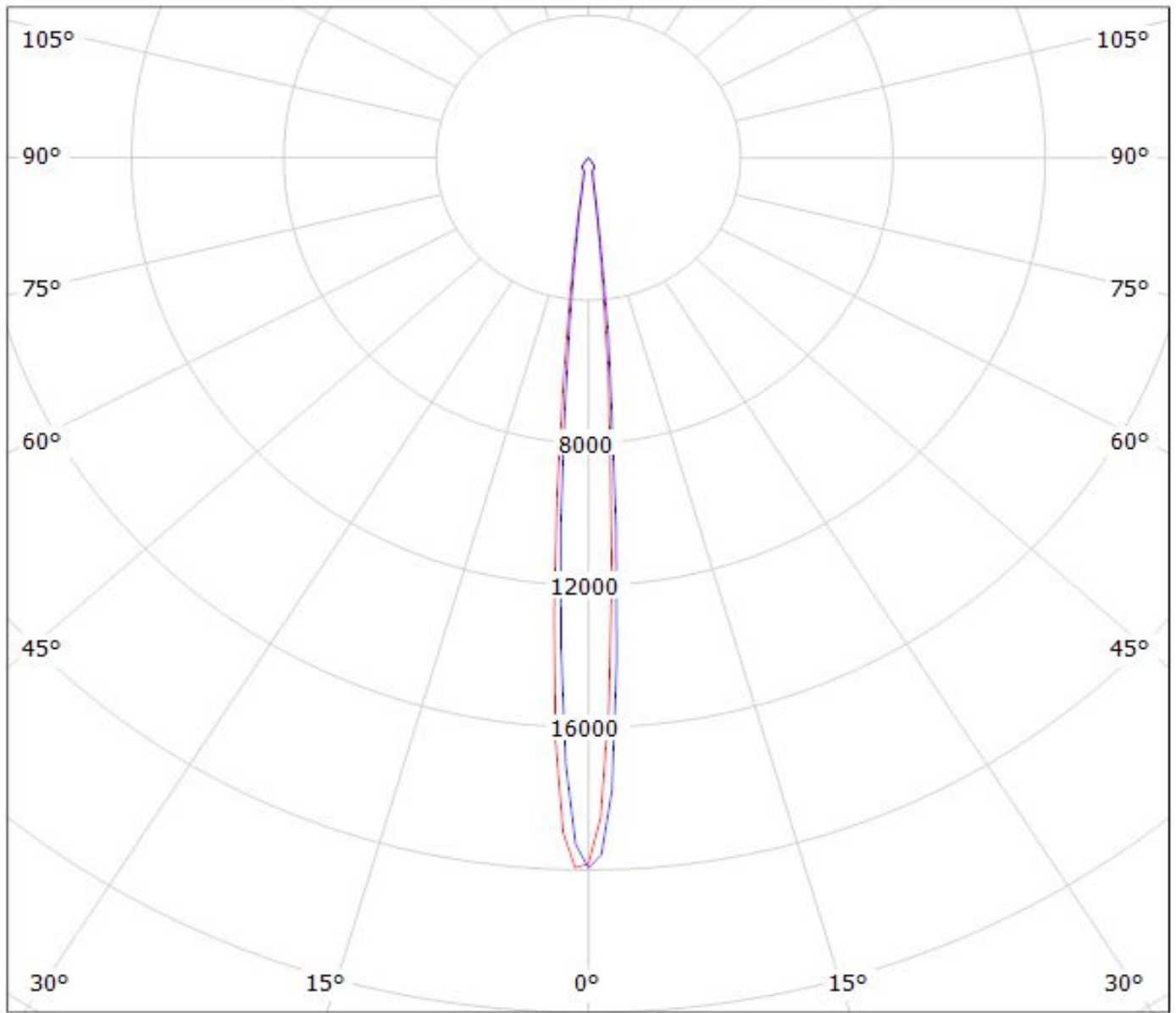
cd/klm

$\eta = 95\%$

— C0 - C180

— C90 - C270

Luminaire: LEDiL Oy F13379\_ANGELA-S\_(COB\_1205) Eff.94.0%  
Lamps: 1 x Luxeon\_COB\_1205\_1092.75lm@250mA\_P=8.33092W\_I=249.9mA



cd/klm

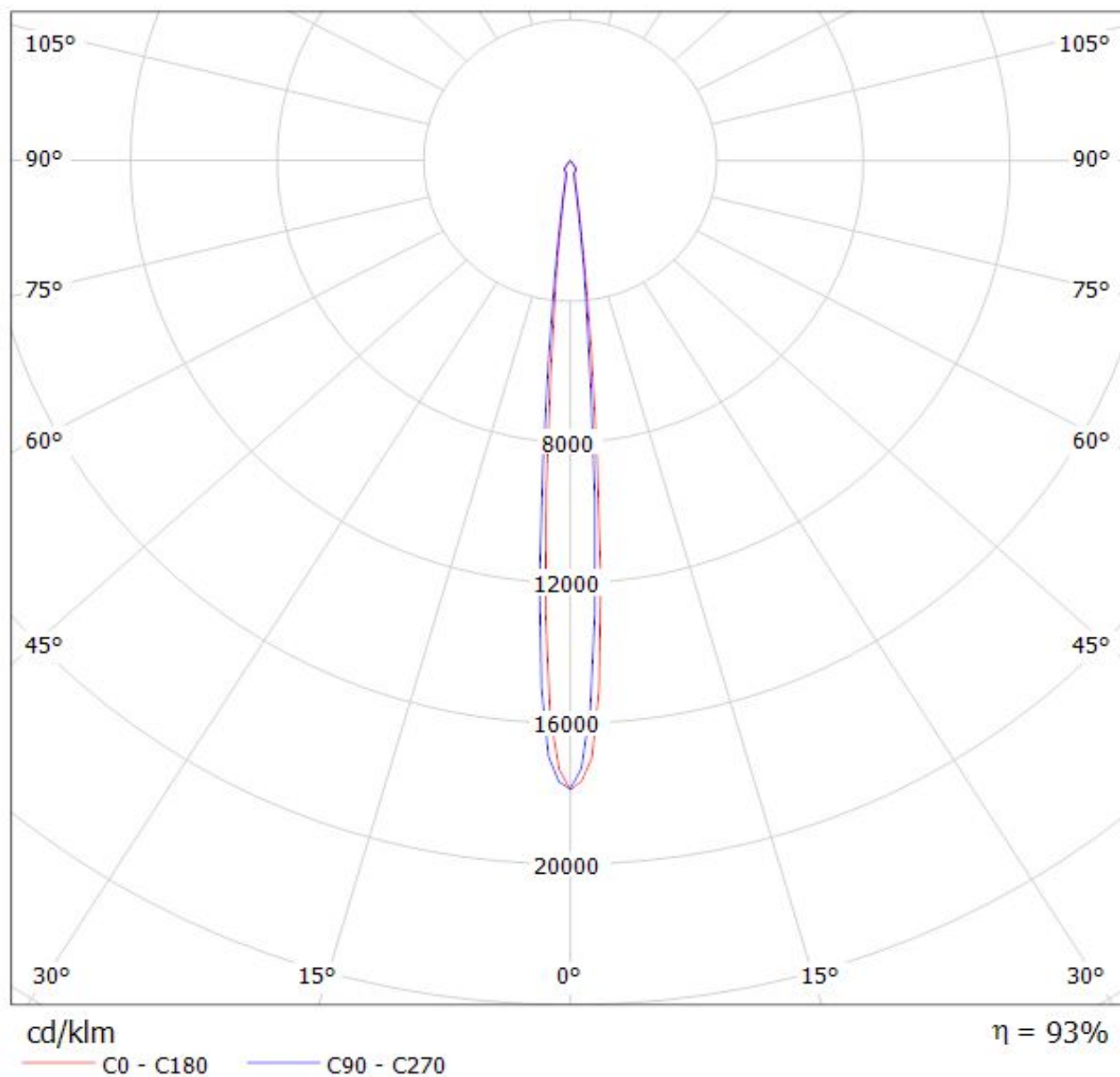
— C0 - C180

— C90 - C270

$\eta = 94\%$

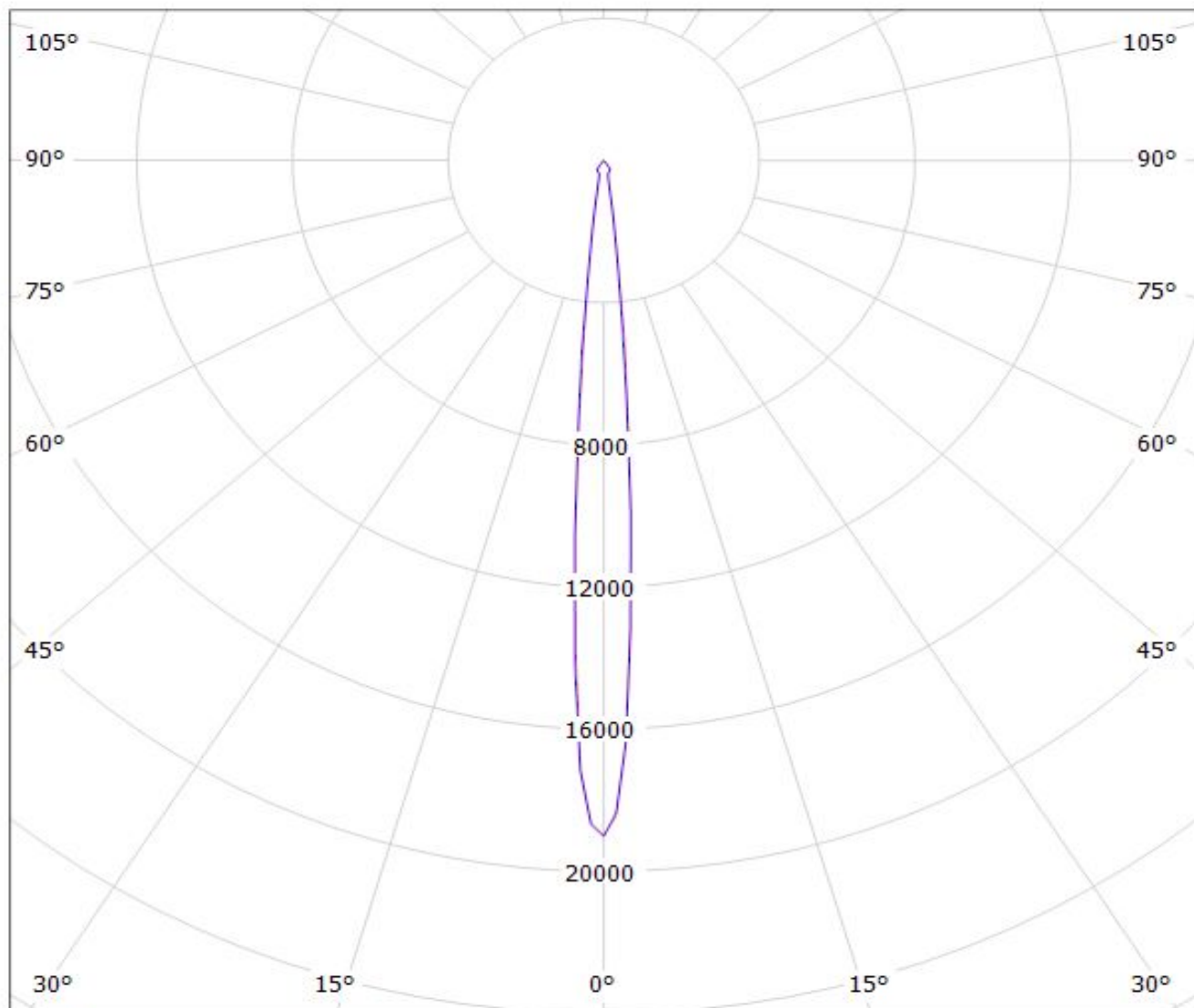
Luminaire: LEDiL Oy F13379\_ANGELA-S\_(WU-M-484)

Lamps: 1 x Vossloh\_Schwabe-WU-M-484\_(WU-M-484-830)\_657.721lm@250mA\_P=5.59451W\_I=249.9mA



Luminaire: LEDiL Oy F13379\_ANGELA-S\_(CXM-14)

Lamps: 1 x LUMINUS\_CXM-14\_1114.36lm@250mA\_P=8.36106W\_I=249.8mA



cd/klm

$\eta = 94\%$

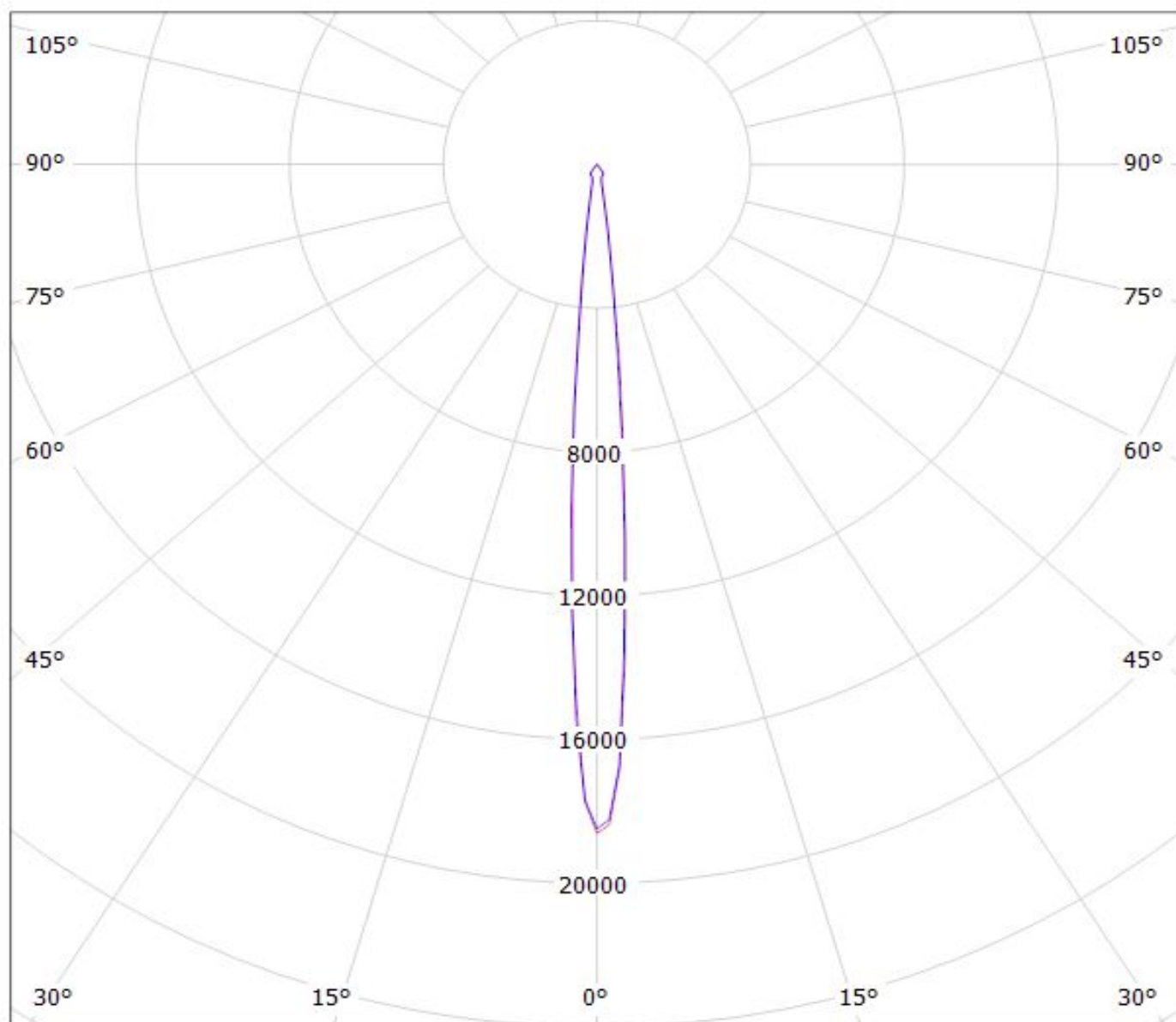
— C0 - C180

— C90 - C270



Luminaire: LEDiL Oy F13379\_ANGELA-S\_(CLL030) Eff.93.7%

Lamps: 1 x CITIZEN\_CLL030\_(CLL030-1206A1-303M1A2)\_982.337lm@250mA\_P=8.39814W\_I=249.9mA



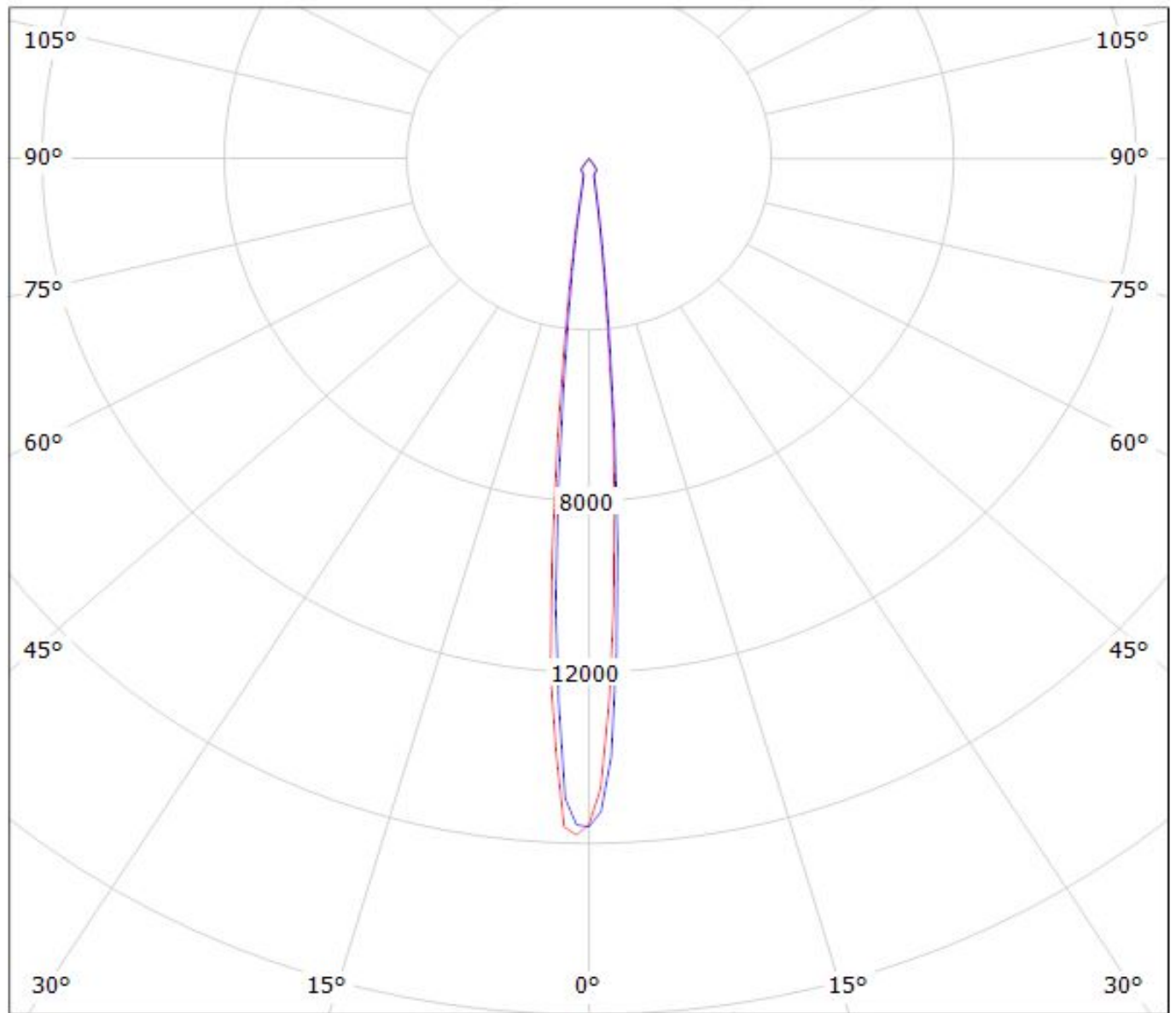
cd/klm

$\eta = 93\%$

— C0 - C180

— C90 - C270

Luminaire: LEDiL Oy F13379\_ANGELA-S\_(COB\_1208) Eff.93.7%  
Lamps: 1 x Luxeon\_COB\_1208\_1028.07lm@250mA\_P=8.23995W\_I=249.9mA



cd/klm

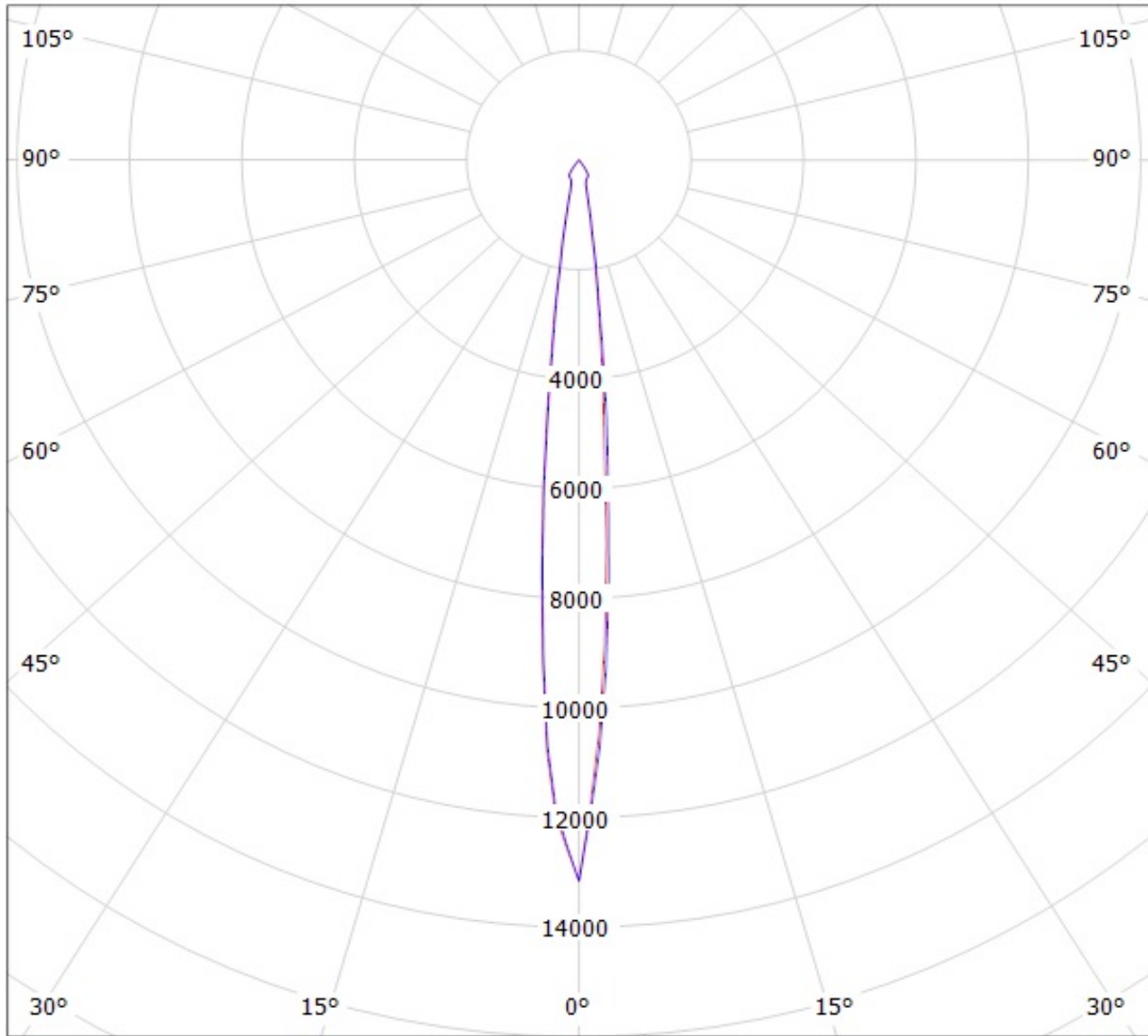
— C0 - C180

— C90 - C270

$\eta = 93\%$

Luminaire: LEDiL Oy F13379\_ANGELA-S\_(PrevaLED\_Z4)\_Eff: 93%

Lamps: 1 x Osram\_PrevaLED\_CORE\_Z4\_(PL-CORE-3000-830-Z4)\_1423.93lm@250mA\_P=10.7652W\_I=249.9mA



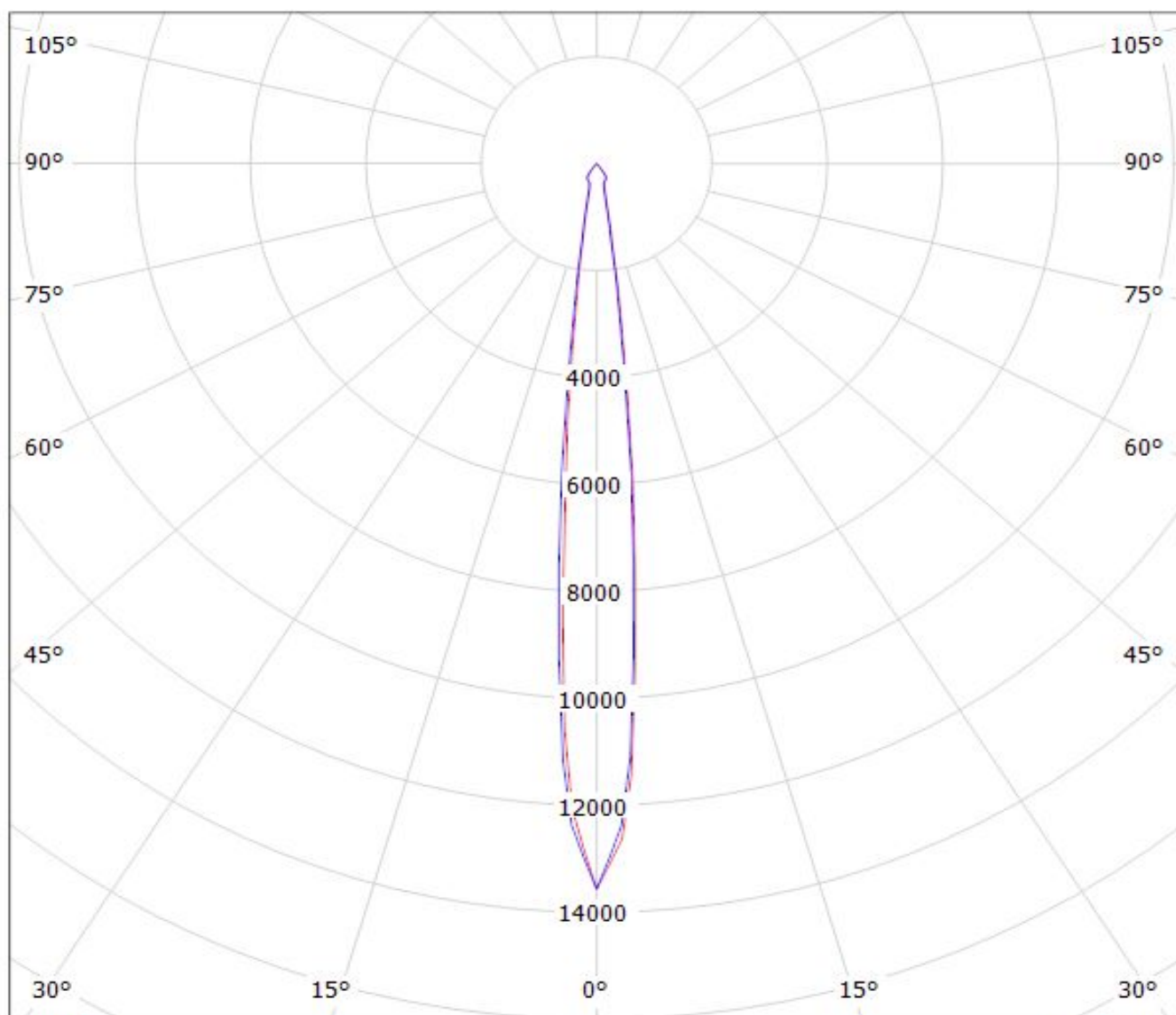
cd/klm

— C0 - C180

— C90 - C270

Luminaire: LEDiL Oy F13379\_ANGELA-S\_(SOLERIQ\_S19)

Lamps: 1 x Osram\_SOLERIQ\_S19\_1390.09lm@250mA\_P=10.5413W\_I=249.8mA



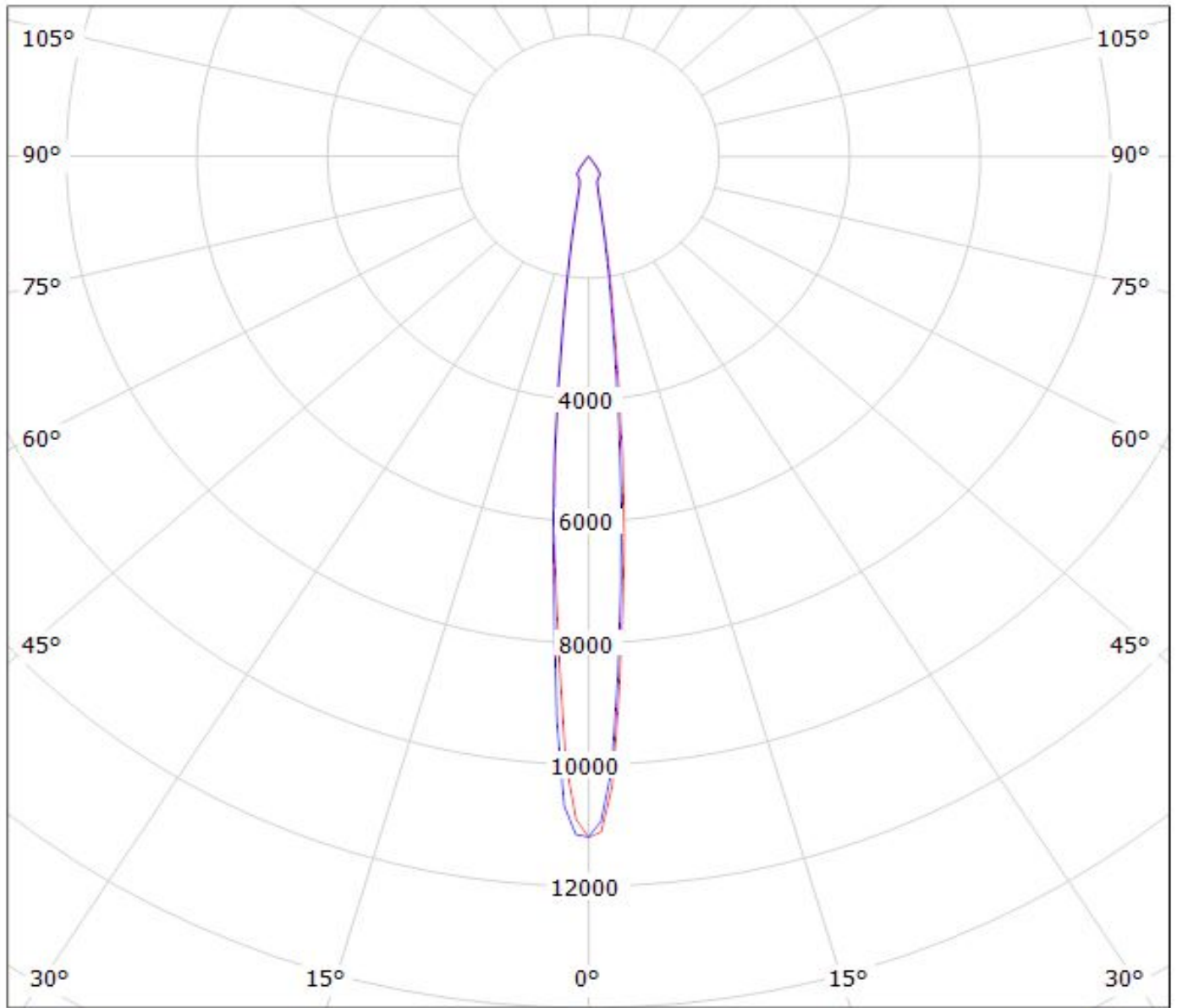
cd/klm

$\eta = 95\%$

— C0 - C180

— C90 - C270

Luminaire: LEDiL Oy F13379\_ANGELA-S\_(LEP-2000-827-C-AC) Eff.91.7%  
Lamps: 1 x Osram\_PrevaLED\_Core-AC\_(LEP-2000-827-C-AC)\_1967.74lm@120mA\_P=27.2W\_I=120mA

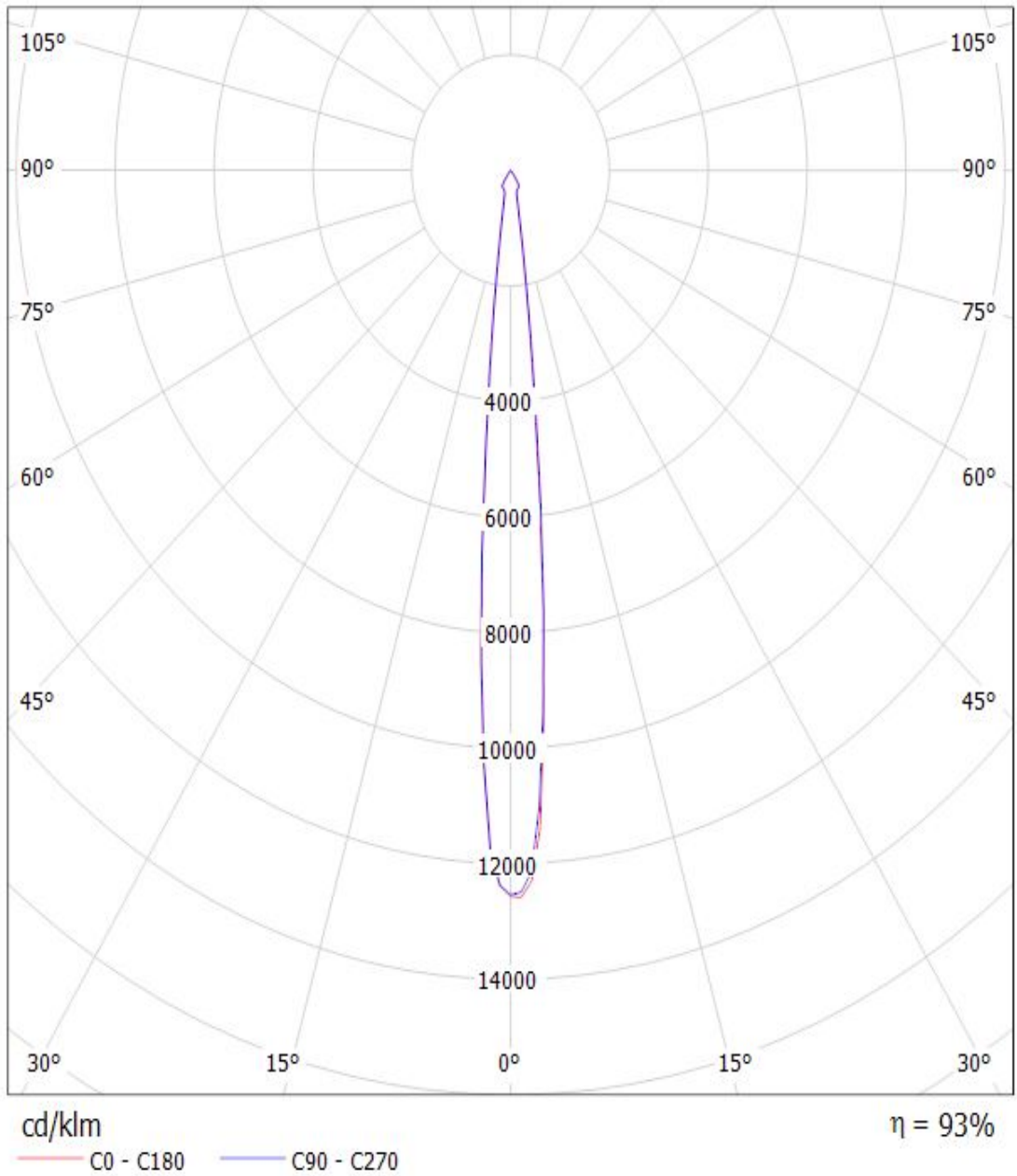


cd/klm  
— C0 - C180 — C90 - C270

$\eta = 91\%$

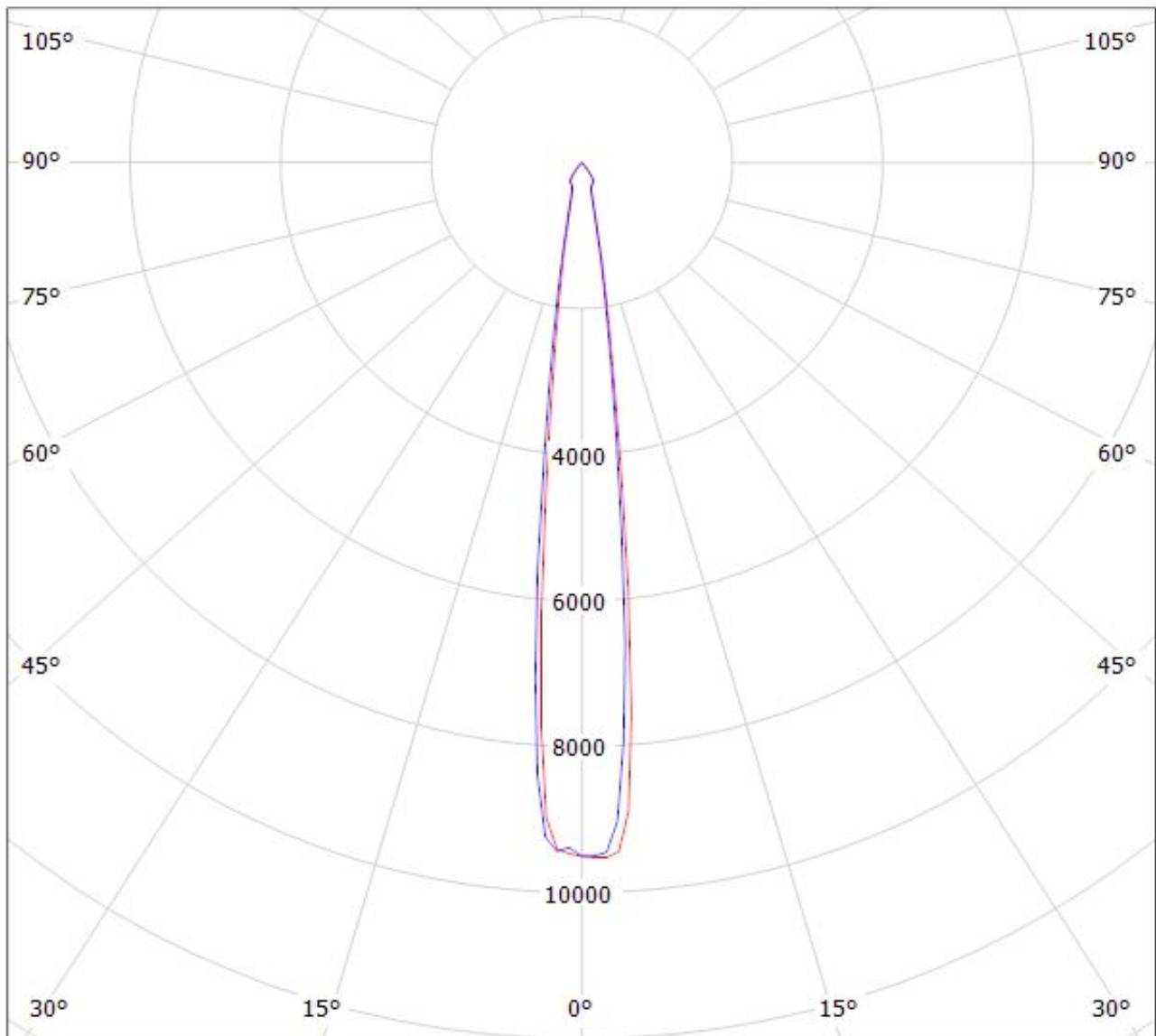
Luminaire: LEDiL Oy F13379\_ANGELA-S\_(STARK\_LES19)

Lamps: 1 x Tridonic\_STARK\_SLE\_G3\_LES19\_(Stark-SLE-PURE-G3-19-2000-840-CLA)\_1050.59lm@250mA\_P=8.3639W\_I=249.9mA



Luminaire: LEDiL Oy F13379\_ANGELA-S\_(WU-M-485)

Lamps: 1 x Vossloh\_Schwabe-WU-M-485\_(WU-M-485-830)\_1209.62lm@250mA\_P=8.43849W\_I=249.8mA

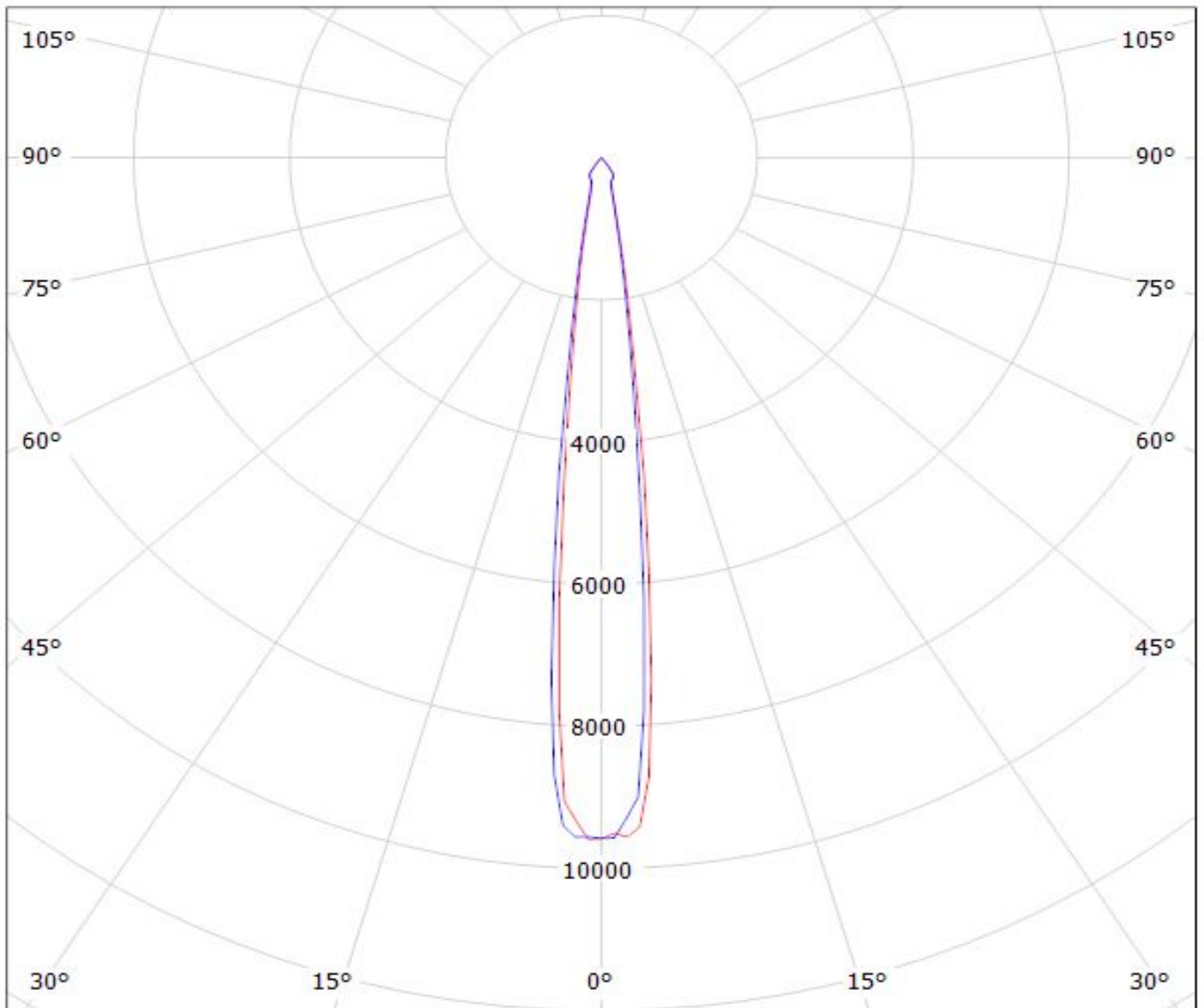


cd/klm

— C0 - C180    — C90 - C270

$\eta = 93\%$

Luminaire: LEDiL Oy F13379\_ANGELA-S\_(WU-M-486) Eff.92.6%  
Lamps: 1 x Vossloh\_Schwabe-WU-M-486\_(WU-M-486-830)  
\_1474.55lm@250mA\_P=10.4456W\_I=249.8mA



cd/klm

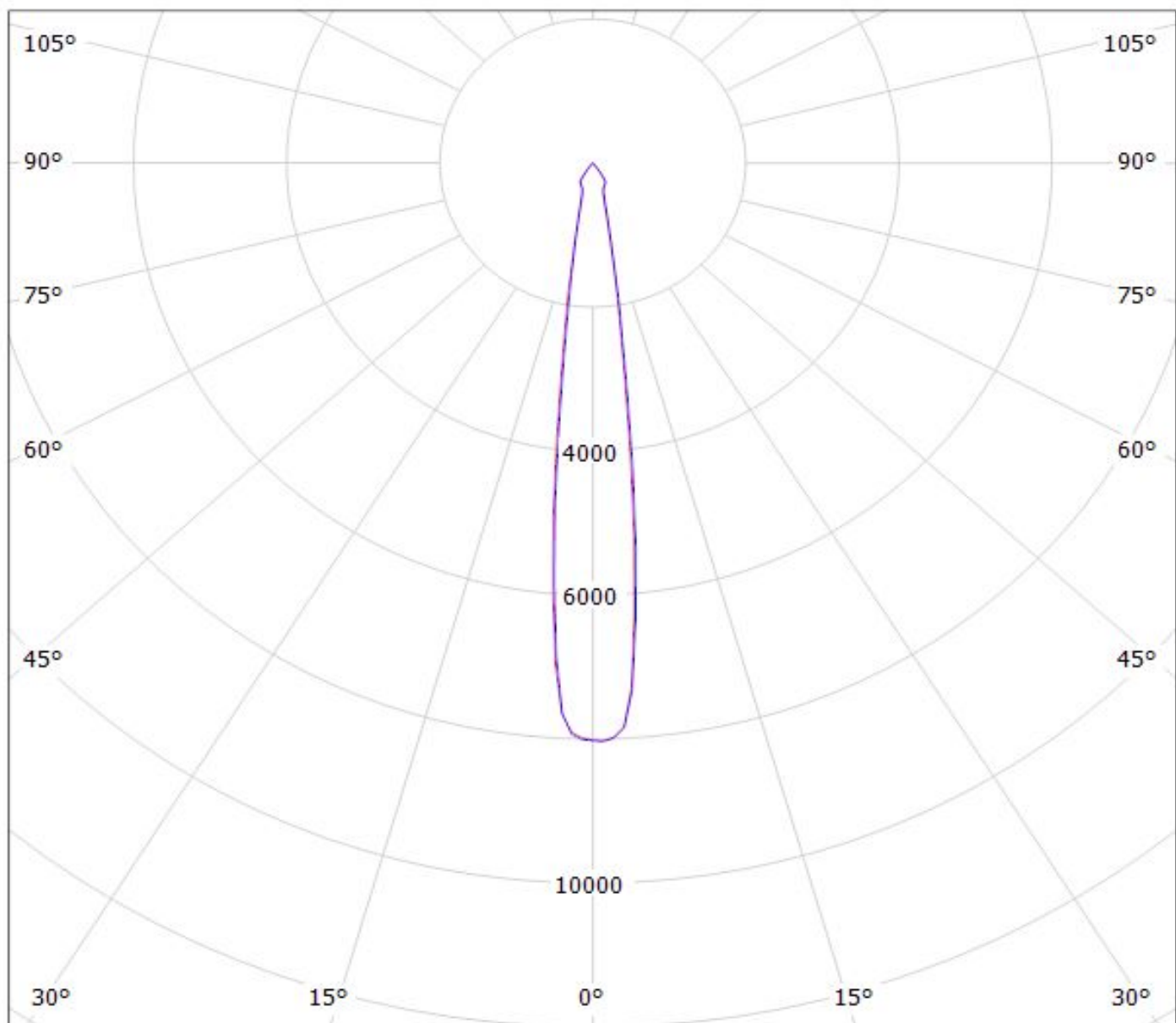
$\eta = 92\%$

— C0 - C180    — C90 - C270



Luminaire: LEDiL Oy F13379\_ANGELA-S\_(STARK\_LES23) Eff.92.7%

Lamps: 1 x Tridonic\_STARK\_SLE\_G3\_LES23\_795.318lm@250mA\_P=8.22646W\_I=249.9mA



cd/klm

$\eta = 93\%$

— C0 - C180

— C90 - C270

**NOTE: The typical divergence will be changed by different color, chip size and chip position tolerance. The typical total divergence is the full angle measured where the luminous intensity is half of the peak value.**

### **GENERAL INFORMATION**

- Product series especially designed & optimized for series of LEDs.
- Special care taken to make light distribution as uniform as possible.
- Reflector is made of aluminium coated PC (120 degrees of Celcius / 248 degrees of Fahrenheit) with protective lacquer (short term 100 degrees of Celcius / 212 degrees of Fahrenheit).

Note! Due to use of high power COB's with this product, special attention to proper thermal design is highly recommended. LEDiL has no liability for direct, indirect or consecutive damages arising from the LEDiL products being used outside of the recommended temperature range.