



## PRODUCT DATASHEET

### Mirella series

last update 26/8/2014

## DETAILS

<b>Product Number</b>	C13087_MIRELLA-50-W-PF
<b>Family</b>	Mirella
<b>Type</b>	Reflector
<b>Color</b>	metal
<b>Diameter</b>	49,9 mm
<b>Height</b>	24 mm
<b>Style</b>	round
<b>Optic Material</b>	PC
<b>Holder Material</b>	
<b>Fastening</b>	socket
<b>Status</b>	ready
<b>ROHS Compliant</b>	Yes
<b>Date Updated</b>	26/08/2014



## OPTICAL PROPERTIES

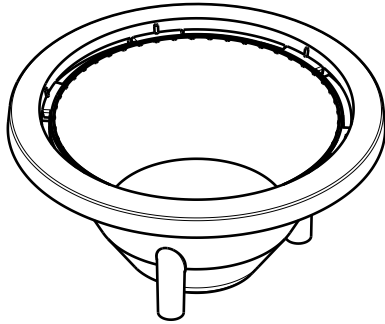
LED	Viewing Angle	Light Beam	Efficiency	cd/lm	connector
CXA1816/CXA1820/CXA1850	43 degrees		87 %	1.370	50-2101CR + Mirella(5 0-2100MR) IDEAL

D

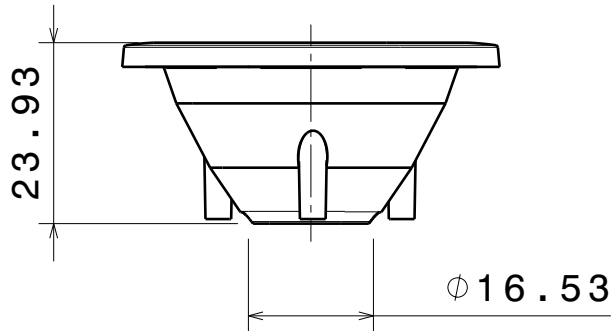
C

B

A

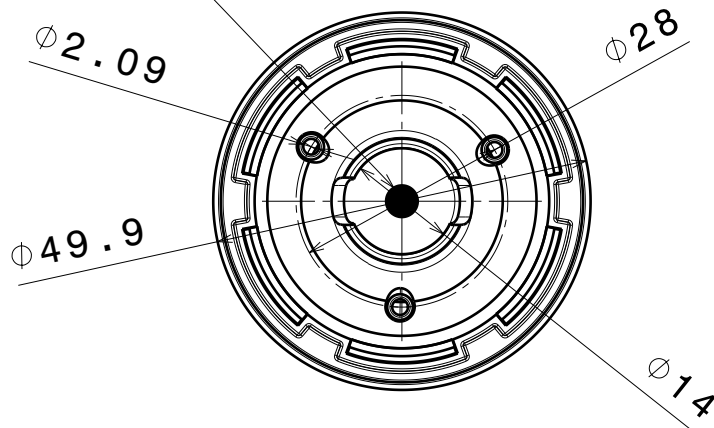


Isometric view



Front view

LED position



Bottom view

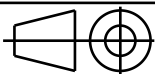
INDEX	PART NO	DESCRIPTION	MATERIAL	COLOUR
1	C13087	MIRELLA-50-W-PF	PC	metal

Tolerances if not otherwise shown  
 According to DIN ISO 2768-1  
 Linear measures: class M  
 According to DIN ISO 2768-2  
 Form and position: class L

LEDiL

Ledil Oy  
 Salorankatu 10  
 FIN 24240 SALO  
 Finland

THIRD ANGLE PROJECTION:



DRAWING TITLE

C13087\_MIRELLA-50-W-PF

This drawing is the property  
 of LEDiL Oy. It may not be  
 reproduced, copied or  
 communicated without a written  
 agreement with LEDiL Oy.

SIZE PART NUMBER

A4

C13087

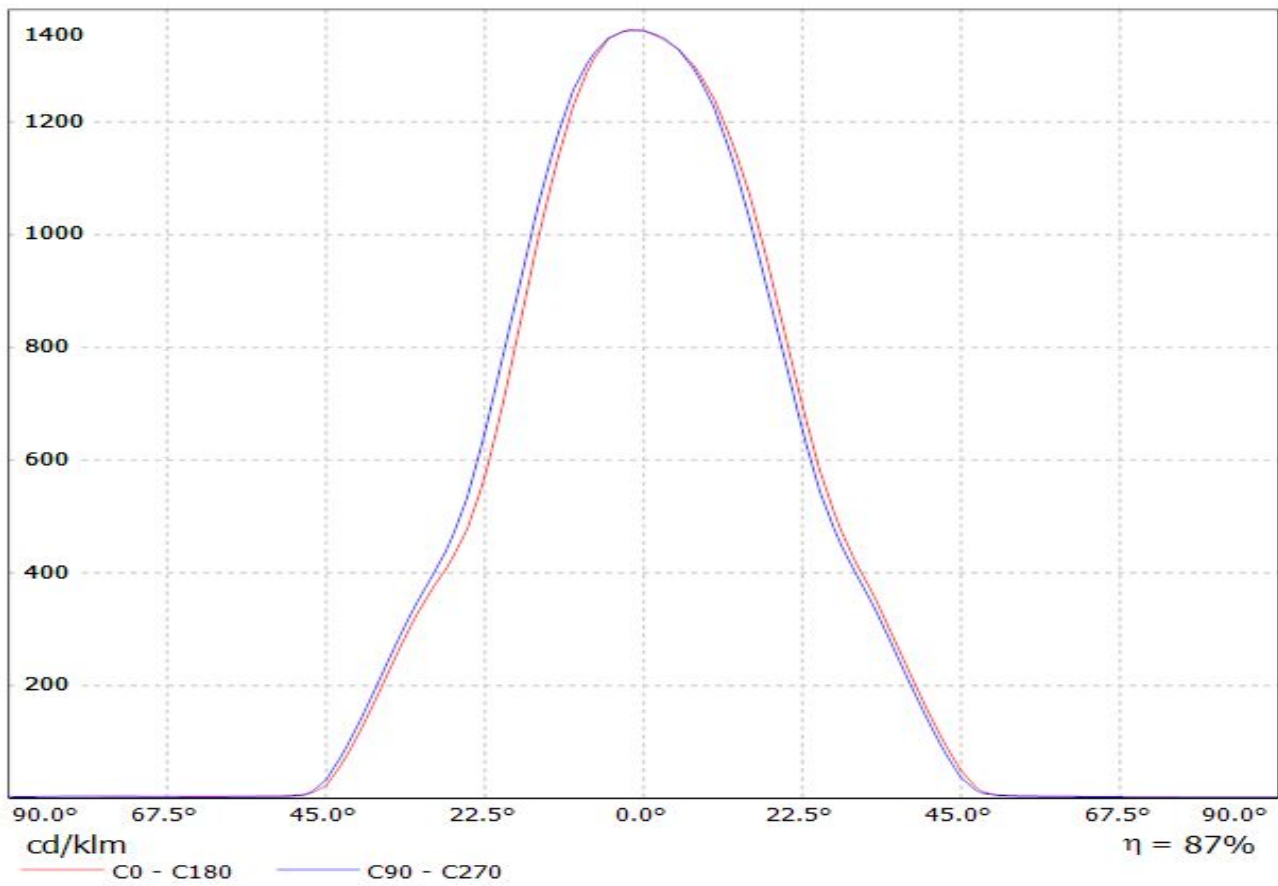
SCALE	1:1	WEIGHT	4,14 g	SHEET	1/1
-------	-----	--------	--------	-------	-----

D

A

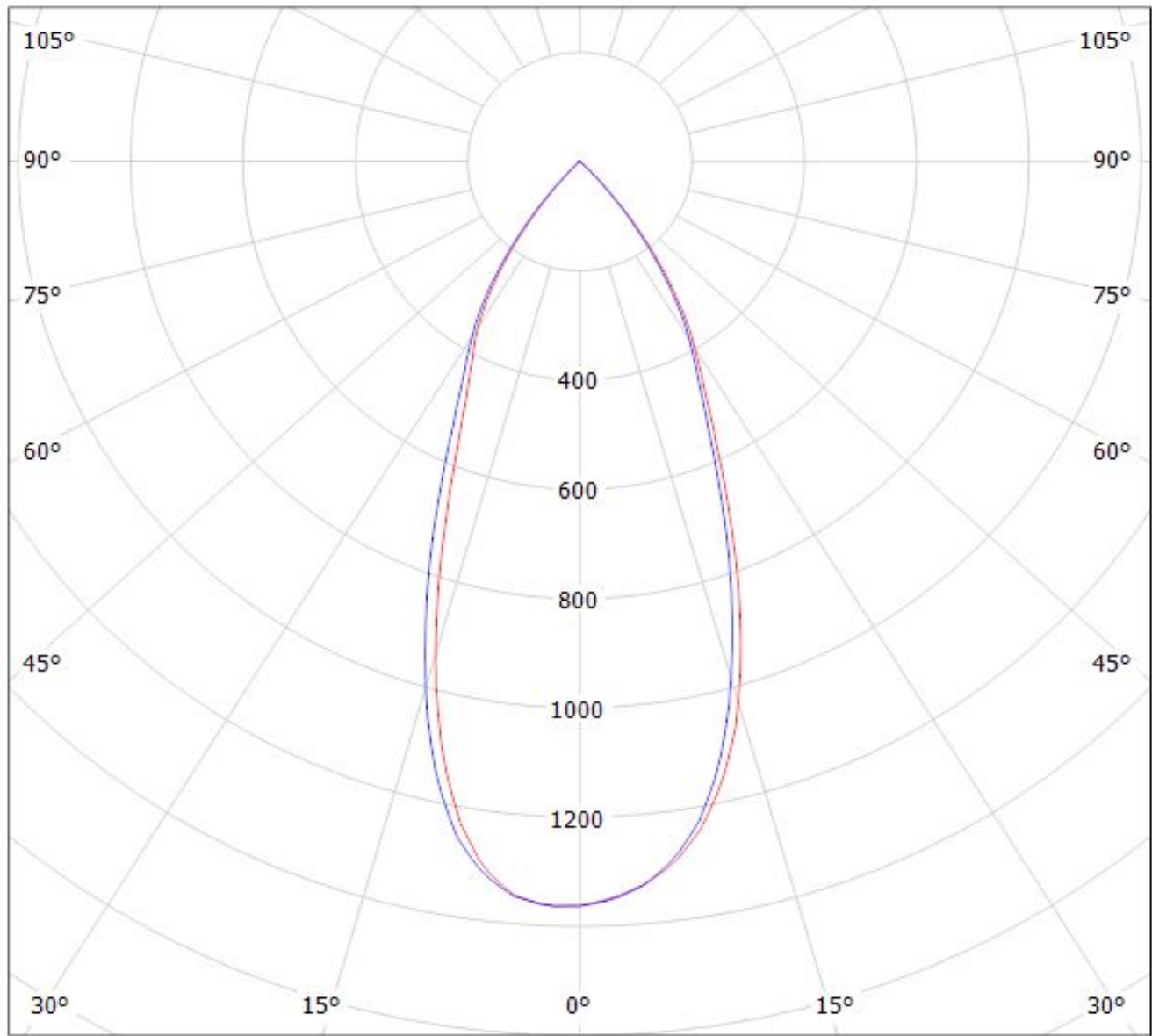
Luminaire: LEDiL Oy C13087\_MIRELLA-50-W-PF\_(CXA1816)

Lamps: 1 x CREE\_CXA1816\_(CXA1816-30F-P2-N0H-00001)\_1077.67lm@250mA\_P=8.73226W\_I=249.8mA



Luminaire: LEDiL Oy C13087\_MIRELLA-50-W-PF\_(CXA1816)

Lamps: 1 x CREE\_CXA1816\_(CXA1816-30F-P2-N0H-00001)\_1077.67lm@250mA\_P=8.73226W\_I=249.8mA



cd/klm

$\eta = 87\%$

— C0 - C180

— C90 - C270

**NOTE: The typical divergence will be changed by different color, chip size and chip position tolerance. The typical total divergence is the full angle measured where the luminous intensity is half of the peak value.**

#### **GENERAL INFORMATION**

- Product series especially designed & optimized for series of LEDs.
- Special care taken to make light distribution as uniform as possible.
- Reflector is made of aluminium coated PC (120 degrees of Celcius / 248 degrees of Fahrenheit) with protective lacquer (short term 100 degrees of Celcius / 212 degrees of Fahrenheit).

Note! Due to use of high power COB's with this product, special attention to proper thermal design is highly recommended. LEDiL has no liability for direct, indirect or consecutive damages arising from the LEDiL products being used outside of the recommended temperature range.