

# Non-Stripping Multi-Connection Wire Connector



RoHS  
Compliant



## Features:

- No need to remove wire insulation
- No need to splice the wires
- No need for taping
- Water and dust resistant (IP 33)
- Absolutely free from electric shock
- As easy as 1-2-3 operation
- Accommodate all kinds of electric wires


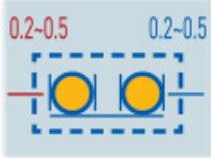
## Technical Specification:

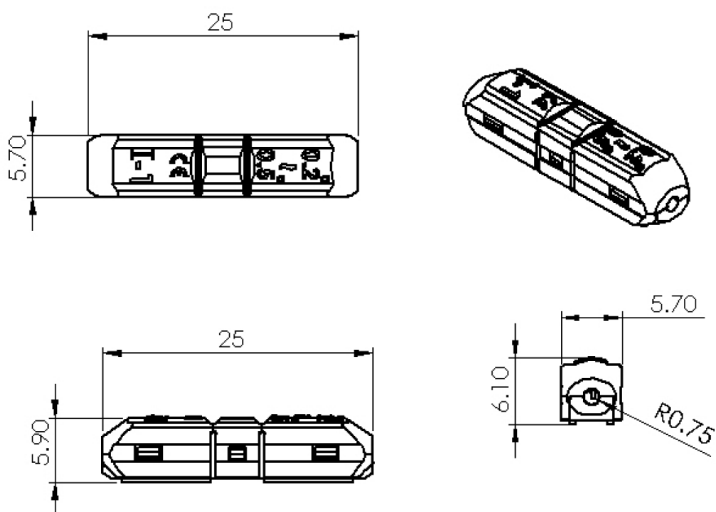
mm <sup>2</sup>	0.2 ~ 0.5
AWG	24 ~ 20
Connection Method	Caged wire clamps without stripping & splicing
Number of wire	1 or 2
Connection Method	Auto strip and connection in connector
Wire type	Solid and/or Stranded
Waterproof status(IP)	IP 33
Measured voltage EN(V)	400
Connector type	I Type
Measured shock voltage (kV)	1.8
Connected Loss (Ohm)	0.0018
Maximum Current (A)	3
Tensile strength (NT)	35
Weight (g)	0.8
Colour	White
Height (a : mm)	5.5
Width (b : mm)	5.5
Width (T-type) (d : mm)	
Depth (c : mm)	25
Strip length from (mm)	5
Strip length to (mm)	7
Connection points	4
Metal thickness	0.3
HS code	853690

# Non-Stripping Multi-Connection Wire Connector



## Connection Diagram

Product	I-1
mm <sup>2</sup>	0.2 ~ 0.5
Wire Type	Solid or Stranded
Number of Wire	1 : 1 Connection
Picture	
Diagram	

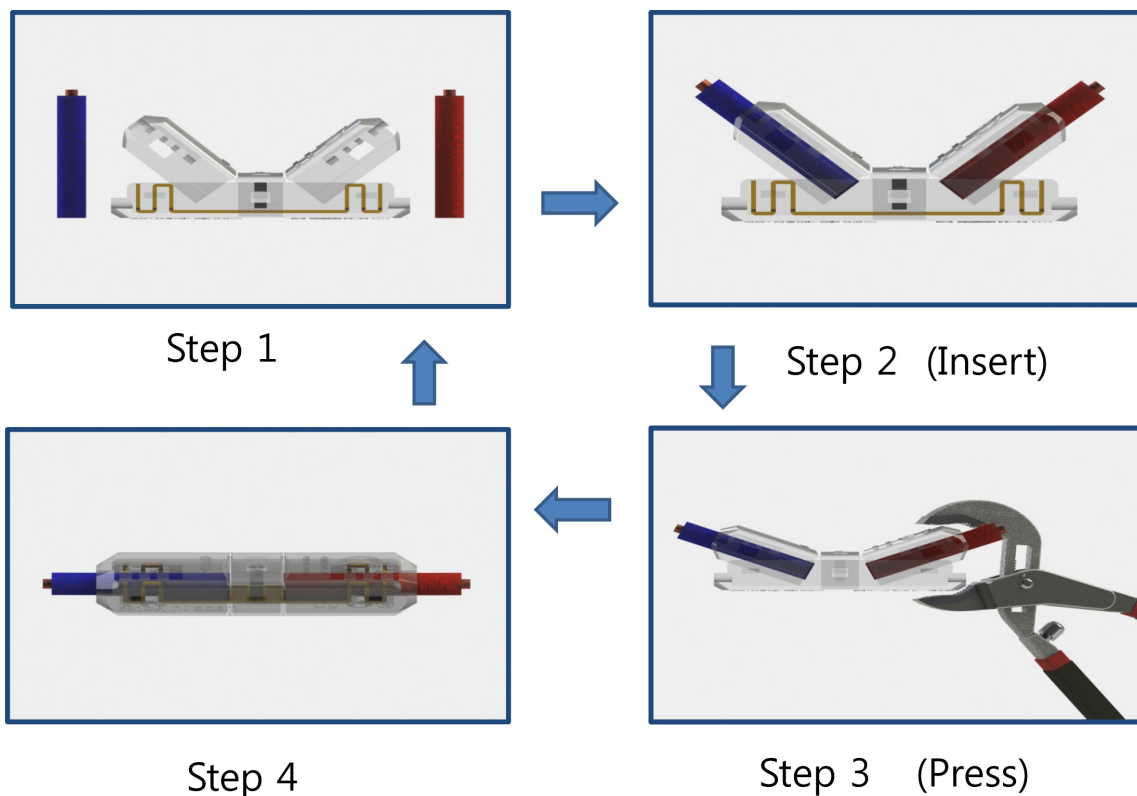


Dimensions : Millimetres

# Non-Stripping Multi-Connection Wire Connector



## Assembly Instructions:



### Part Number Table

Description	Part Number
Non-Stripping, Multi-Connection Wire Connector	MCI001141S

**Important Notice :** This data sheet and its contents (the "Information") belong to the members of the Premier Farnell group of companies (the "Group") or are licensed to it. No licence is granted for the use of it other than for information purposes in connection with the products to which it relates. No licence of any intellectual property rights is granted. The Information is subject to change without notice and replaces all data sheets previously supplied. The Information supplied is believed to be accurate but the Group assumes no responsibility for its accuracy or completeness, any error in or omission from it or for any use made of it. Users of this data sheet should check for themselves the Information and the suitability of the products for their purpose and not make any assumptions based on information included or omitted. Liability for loss or damage resulting from any reliance on the Information or use of it (including liability resulting from negligence or where the Group was aware of the possibility of such loss or damage arising) is excluded. This will not operate to limit or restrict the Group's liability for death or personal injury resulting from its negligence. Multicomp is the registered trademark of the Group. © Premier Farnell plc 2012.

