

Customer Part Number: *not provided*

Part Number: FPXLF240F-20

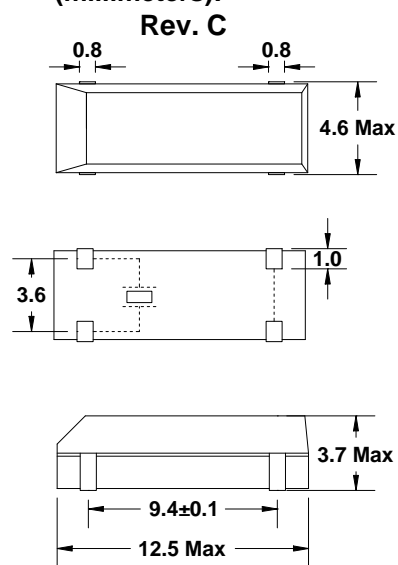
PLASTIC-ENCASED, SMD, CRYSTAL
MODEL: FPXLF Series (REV C Version)

RoHS Compliant

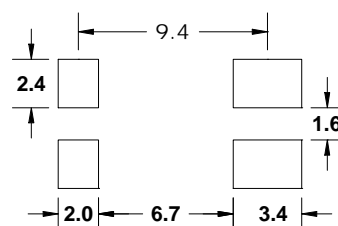
A. Specifications

Parameters	
Frequency	24.000 MHz
Resonance Mode	Fundamental
Frequency Tolerance @ 25°C	±50 PPM Max
Frequency Stability, ref @ 25°C Over Operating Temp. Range	±100 PPM Max
Temperature Range Operating (T _{OPR}) Storage (T _{STG})	-10°C ~ +70°C -55°C ~ +125°C
Equivalent Series Resistance (ESR)	30 Ohms Max
Shunt Capacitance (C _O)	7 pF Max
Load Capacitance (C _L)	20 pF
Drive Level	0.1 mW Max
Aging per year	±5 PPM Max
Maximum Soldering Temp / Time	260°C / 10 Seconds
Moisture Sensitivity Level (MSL)	1
Termination Finish:	Sn
Weight (TYP)	322.4 mg

B. Mechanical / Dimensions (millimeters):



Recommended Solder Pad Layout



Note: Solder Pad Layout accommodates both packages

NOTE: The above specifications, having been carefully prepared and checked, is believed to be accurate at the time of publication; however, no responsibility is assumed by Fox Electronics for inaccuracies.

Reference / Comments	Title / Description: Product Specifications		
Initial release	Drawing Number: DWG-6139	Rev: 1	Size: A
	Part Number: FPXLF240F-20		Cage: 61429
	Draftsperson: AR	Approved: CR	Date: 07-07-2010