

PLEASE CHECK WWW.MOLEX.COM FOR LATEST PART INFORMATION

Part Number: [19164-0012](#)
Status: **Active**
Overview: [Perma-Seal™ Terminals](#)
Description: Perma-Seal™ Female Quick Disconnect for 18-22 AWG Wire, Tab Size 6.35 x 0.81mm

Documents:

[Drawing \(PDF\)](#) [Product Specification PS-19902-013 \(PDF\)](#)
[Product Specification PS-19902-011 \(PDF\)](#) [RoHS Certificate of Compliance \(PDF\)](#)

General

Product Family	Quick Disconnects
Series	19164
Crimp Quality Equipment	Yes
Insulated	No
MolexKits	Yes
Overview	Perma-Seal™ Terminals
Product Name	Perma-Seal™
Type	Quick Disconnect
UPC	800753113008

Physical

Barrel Type	Closed
Color - Resin	Red
Gender	Female
Glow-Wire Compliant	No
Insulation	NiAc™
Lock to Mating Part	None
Material - Metal	Brass
Material - Plating Mating	Tin
Material - Plating Termination	Tin
Net Weight	0.943/g
Orientation	Straight
Packaging Type	Bag
Tab Thickness	0.81mm
Tab Width	6.35mm
Temperature Range - Operating	-55°C to +125°C
Wire Insulation Diameter	5.97mm max.
Wire Size AWG	18, 20, 22
Wire Size mm²	0.25 - 1.50

Electrical

Voltage - Maximum	600V
-------------------	------

Material Info

Old Part Number	SAA-2140
-----------------	----------

Reference - Drawing Numbers

Product Specification	PS-19902-011, PS-19902-013
Sales Drawing	SD-19164-040

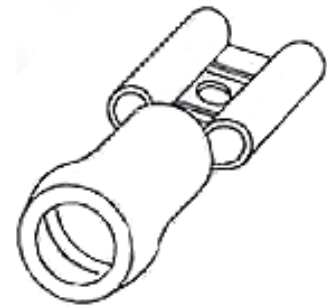


image - Reference only

Series

EU RoHS

ELV and RoHS Compliant
REACH SVHC Contains SVHC: No
Low-Halogen Status Low-Halogen

China RoHS



Need more information on product environmental compliance?

Email productcompliance@molex.com
 For a multiple part number RoHS Certificate of Compliance, [click here](#)

Please visit the [Contact Us](#) section for any non-product compliance questions.

Search Parts in this Series

[19164Series](#)

Application Tooling | FAQ

Tooling specifications and manuals are found by selecting the products below. Crimp Height Specifications are then contained in the Application Tooling Specification document.

Global

Description	Product #
Hand Crimp Tool	0640010400
Crimp Head for the AT-200™ Pneumatic Hand Tool	0640050400