

Housing screw connection - SACC-M12-SCO PLUG L90 - 1436709


Please be informed that the data shown in this PDF Document is generated from our Online Catalog. Please find the complete data in the user's documentation. Our General Terms of Use for Downloads are valid (<http://phoenixcontact.com/download>)



M12-SPEEDCON housing screw connection for M12 male inserts, with flat gasket, for all Speedcon-compatible THR and wave soldering contact carriers



Key commercial data

Packing unit	10 pc
Minimum order quantity	10 pc
GTIN	 4 046356 438773
Weight per Piece (excluding packing)	6.33 g
Custom tariff number	85366990
Country of origin	Germany
Product key	ABQCCA

Technical data

Ambient conditions

Ambient temperature (operation)	-25 °C ... 85 °C (Plug / socket)
	-40 °C ... 85 °C (without mechanical actuation)

General

Mounting type	M12 x 1
---------------	---------

Material

Material	Zinc die-cast (nickel-plated)
Sealing material	FKM

Cable

Ambient temperature (operation)	-40 °C ... 85 °C (cable, fixed installation)
	-25 °C ... 85 °C (cable, flexible installation)

Housing screw connection - SACC-M12-SCO PLUG L90 - 1436709

Classifications

eCl@ss

eCl@ss 4.0	27250313
eCl@ss 4.1	27250313
eCl@ss 5.0	27143423
eCl@ss 5.1	27143423
eCl@ss 6.0	27143423
eCl@ss 7.0	27449001
eCl@ss 8.0	27449001

ETIM

ETIM 3.0	EC002061
ETIM 4.0	EC002350
ETIM 5.0	EC002350

UNSPSC

UNSPSC 6.01	31251501
UNSPSC 7.0901	31251501
UNSPSC 11	31251501
UNSPSC 12.01	31251501
UNSPSC 13.2	31251501

Approvals

Approvals


Approvals

GOST / GOST

Ex Approvals

Approvals submitted

Approval details

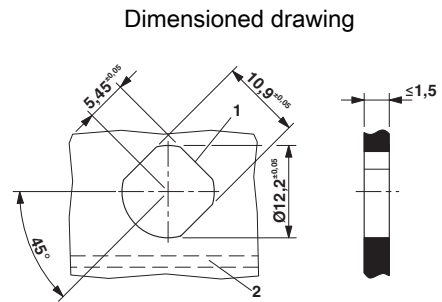
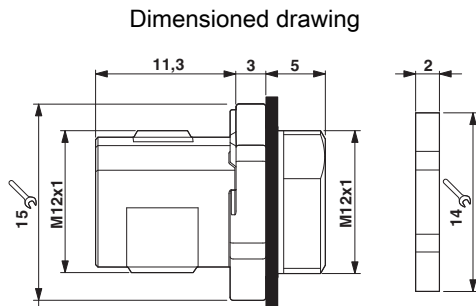
GOST 
--

Housing screw connection - SACC-M12-SCO PLUG L90 - 1436709

Approvals

GOST

Drawings



Housing cutout for M12 fastening thread, mounting panel with feed-through hole (alternative with surface as protection against rotation)