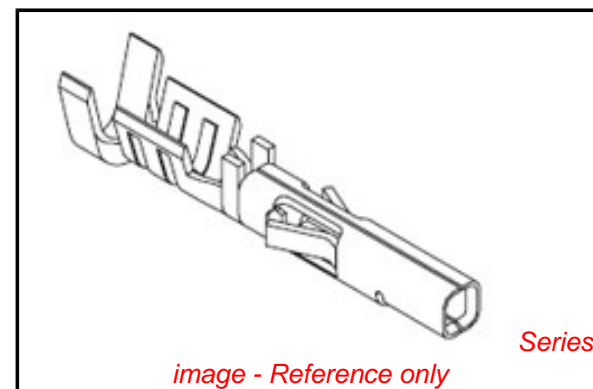


**PLEASE CHECK WWW.MOLEX.COM FOR LATEST PART INFORMATION**

**Part Number:** [43030-0010](#)  
**Status:** **Active**  
**Overview:** Micro-Fit 3.0™ Connectors  
**Description:** Micro-Fit 3.0™ Crimp Terminal, Female, with Tin (Sn) Plated Phosphor Bronze Contact, 26-30 AWG, Bag

**Documents:**

<a href="#">3D Model</a>	<a href="#">RoHS Certificate of Compliance (PDF)</a>
<a href="#">Drawing (PDF)</a>	<a href="#">Product Literature (PDF)</a>
<a href="#">Product Specification PS-43045 (PDF)</a>	



**General**

Product Family	Crimp Terminals
Series	<a href="#">43030</a>
Application	Power
Crimp Quality Equipment	Yes
MolexKits	Yes
Overview	<a href="#">Micro-Fit 3.0™ Connectors</a>
Packaging Alternative	<a href="#">43030-0004 (Reel)</a>
Product Literature Order No	987650-5984
Product Name	Micro-Fit 3.0™
UPC	800754369329

**Physical**

Gender	Female
Material - Metal	Phosphor Bronze
Material - Plating Mating	Tin
Material - Plating Termination	Tin
Net Weight	0.061/g
Packaging Type	Bag
Plating min - Mating	1.016µm
Plating min - Termination	1.016µm
Termination Interface: Style	Crimp or Compression
Wire Insulation Diameter	1.27mm max.
Wire Size AWG	26, 28, 30
Wire Size mm²	N/A

**Electrical**

Current - Maximum per Contact	5A
-------------------------------	----

**Material Info**

**Reference - Drawing Numbers**

Product Specification	PS-43045, RPS-43045-003, RPS-43045-004
Sales Drawing	SD-43030-****

<b>EU RoHS</b> <b>ELV and RoHS</b> <b>Compliant</b> <b>REACH SVHC</b> <b>Contains SVHC: No</b> <b>Low-Halogen Status</b> <b>Low-Halogen</b>	<b>China RoHS</b> 
---	--

**Need more information on product environmental compliance?**

Email [productcompliance@molex.com](mailto:productcompliance@molex.com)  
 For a multiple part number RoHS Certificate of Compliance, [click here](#)

Please visit the [Contact Us](#) section for any non-product compliance questions.

**Search Parts in this Series**

[43030Series](#)

**Mates With**

[43031](#) Micro-Fit 3.0™ Male Crimp Terminals

**Use With**

[43025](#) , [43645](#) Micro-Fit 3.0™ Receptacle Housings, [44133](#) Micro-Fit BMI™ Panel Mount Receptacle Housings

**Application Tooling | FAQ**

*Tooling specifications and manuals are found by selecting the products below. Crimp Height Specifications are then contained in the Application Tooling Specification document.*

**Global**

Description	Product #
Hand Crimp Tool	<a href="#">0638190000</a>
Insertion Tool for Crimp Terminal	<a href="#">0638120800</a>
Extraction Tool	<a href="#">0011030043</a>

This document was generated on 09/15/2014

**PLEASE CHECK [WWW.MOLEX.COM](http://WWW.MOLEX.COM) FOR LATEST PART INFORMATION**