

80mm sq.

San Ace 80W

25mm thick(WP type), 25mm thick(WS type)
38mm thick(WV type)



General Specifications

- Material Frame: Plastics (Flammability: UL94V-0),
Impeller: Plastics (Flammability: UL94V-1)
- Expected Life Refer to specifications (Indoor, L10:Survival rate: 90% at 60°C,
rated voltage, and continuously run in a free air state)
- Lead Wire ⊕red ⊖black (Sensor) yellow
- Storage Temperature -30°C to +70°C (Non-condensing)

80×80×25mm (Mass : 130g) **IP 68** **WPtype**

Specifications

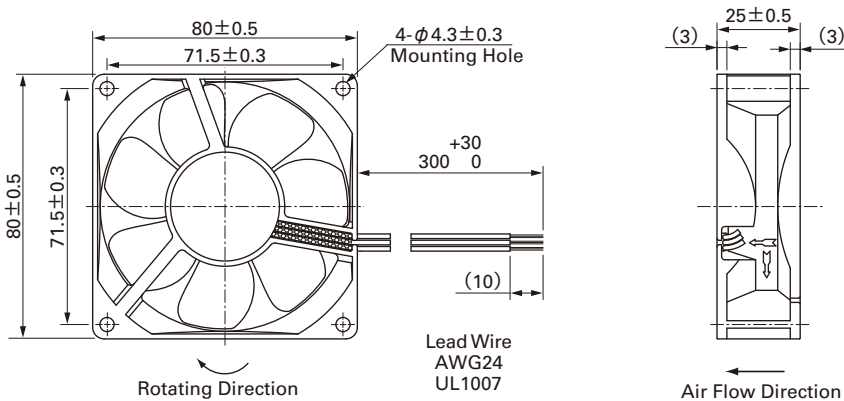
The following nos. **have pulse sensors and ribs**. For ribless, append "1" to the model no.

Model No.	Rated Voltage [V]	Operating Voltage Range [V]	Rated Current [A]	Rated Input [W]	Rated Speed [min ⁻¹]	Max. Air Flow [m ³ /min] [CFM]	Max. Static Pressure [Pa] [inchH ₂ O]	SPL [dB(A)]	Operating Temperature [°C]	Expected Life [h]
9WP0812G401	12	10.8 to 13.2	0.38	4.56	4,500	1.50 53	80.4 0.323	40	-20 to +70	40,000
9WP0812H401		10.2 to 13.8	0.13	1.56	2,900	1.03 36.4	35.3 0.142	29		60,000
9WP0824S401	24	20.4 to 27.6	0.1	2.4	3,400	1.20 42.4	48.0 0.193	34		40,000
9WP0824H401			0.07	1.68	2,900	1.03 36.4	35.3 0.142	29		60,000
9WP0848S401	48	40.8 to 55.2	0.06	2.88	3,400	1.20 42.4	48.0 0.193	34		40,000

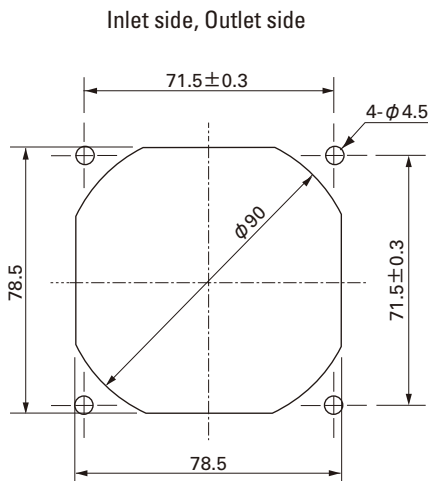
Available options: ⇒ **Without Sensor**

Please inquire as the availability of these functions depend on the model. ⇒ **Lock Sensor**

Dimensions (Unit : mm) (With ribs)



Reference dimension of mounting holes and vent opening (Unit : mm)



Options (Unit : mm)

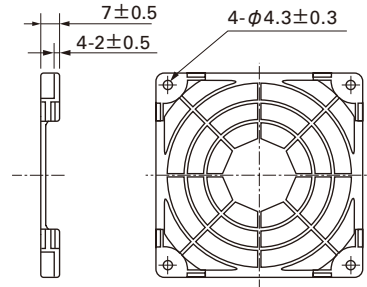
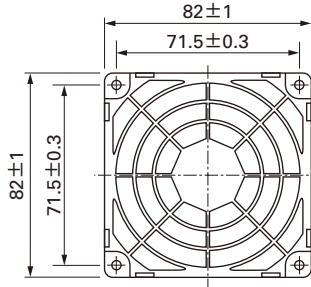
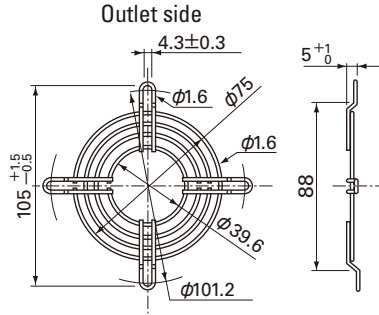
Finger guards

Model : 109-049C Surface treatment : Nickel-chrome plating (silver) Color

Color

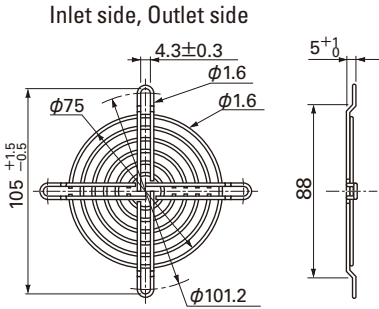
Resin Finger guards

Model : 109-1002G

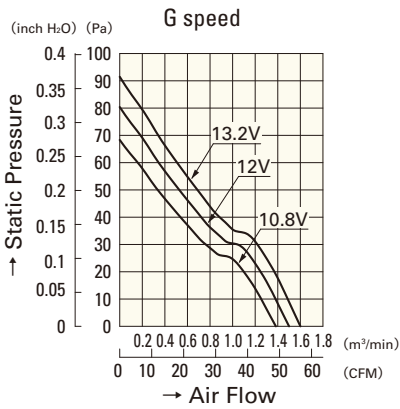


Model : 109-049E Surface treatment : Nickel-chrome plating (silver) Color
: 109-049H : Cation electropainting (black)

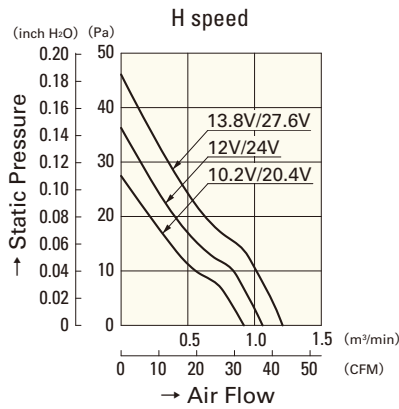
Color



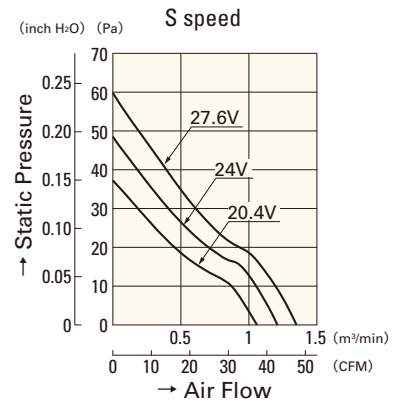
Air Flow - Static Pressure Characteristics



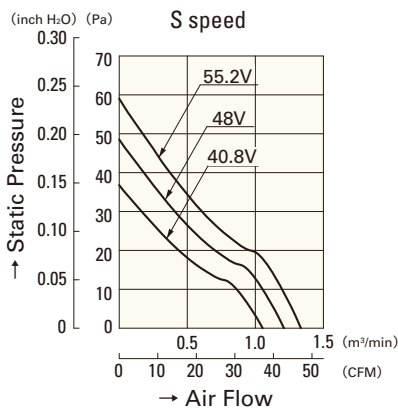
9WP0812G401



9WP0812H401
9WP0824H401



9WP0824S401



9WP0848S401