

80mm sq.

San Ace 80W

25mm thick(WP type), 25mm thick(WS type)
38mm thick(WV type)



General Specifications

- Material Frame: Plastics (Flammability: UL94V-0),
Impeller: Plastics (Flammability: UL94V-1)
- Expected Life Refer to specifications (Indoor, L10: Survival rate: 90% at 60°C ,
rated voltage, and continuously run in a free air state)
- Lead Wire ⊕red ⊖black (Sensor) yellow (Control) brown
- Storage Temperature -30°C to +70°C (Non-condensing)

80×80×38mm (Mass : 235g) **IP 68** **WV type**

Specifications

The following nos. **have PWM controls, pulse sensors, and ribs.** For ribless, append "1" to the model no.

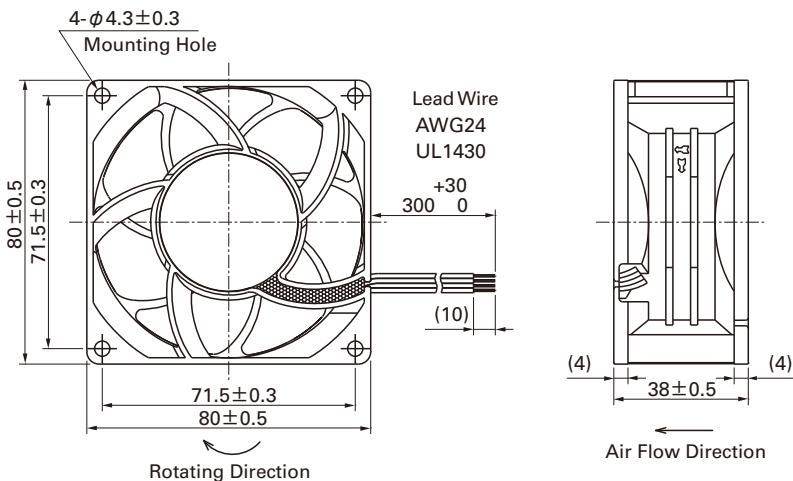
Model No.	Rated Voltage [V]	Operating Voltage Range [V]	PWM duty cycle* [%]	Rated Current [A]	Rated Input [W]	Rated Speed [min ⁻¹]	Max. Air Flow [m ³ /min] [CFM]	Max. Static Pressure [Pa] [inchH ₂ O]	SPL [dB(A)]	Operating Temperature [°C]	Expected Life ^{nom} [h]
9WV0848P1H001	48	40.8 to 52.8	100 0	0.75 0.15	36 7.2	9,700 4,500	3.7 131 1.72 60.7	440 1.77 94.7 0.38	63 43	-20 to +70	40,000/60°C (70,000/40°C)

Note: Expected life at 40°C ambient is just reference value.

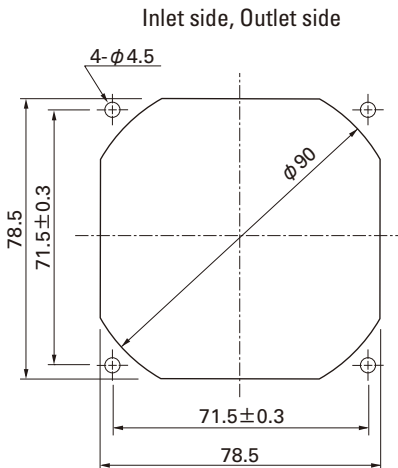
*PWM Frequency : 25kHz

Available options: ⇒ **Without Sensor** **Pulse Sensor**

Dimensions (Unit : mm) (With ribs)



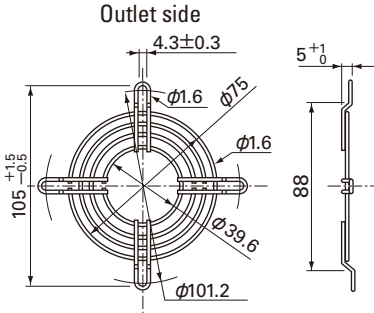
Reference dimension of mounting holes and vent opening (Unit : mm)



Options (Unit : mm)

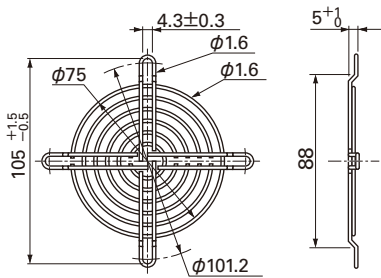
Finger guards

Model : 109-049C Color Surface treatment : Nickel-chrome plating (silver)



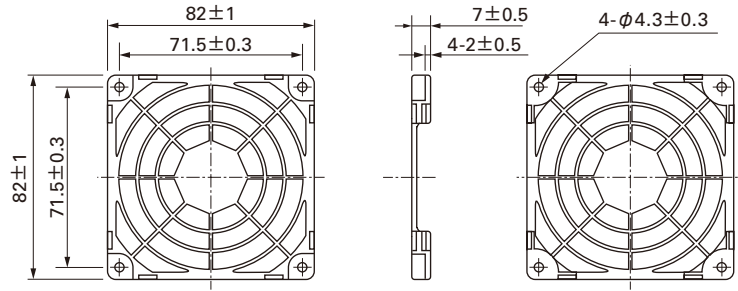
Model : 109-049E Color Surface treatment : Nickel-chrome plating (silver)
 Model : 109-049H Color Surface treatment : Cation electropainting (black)

Inlet side, Outlet side



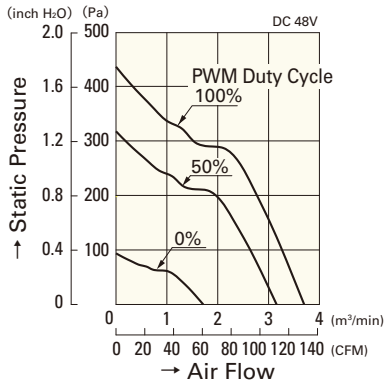
Resin Finger guards

Model : 109-1002G



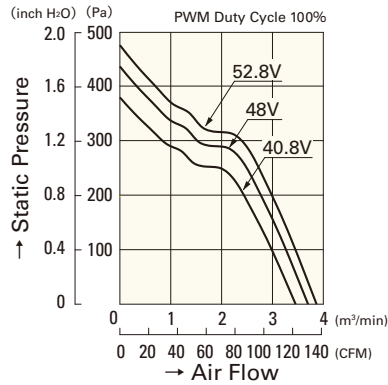
Air Flow - Static Pressure Characteristics

PWM Duty Cycle



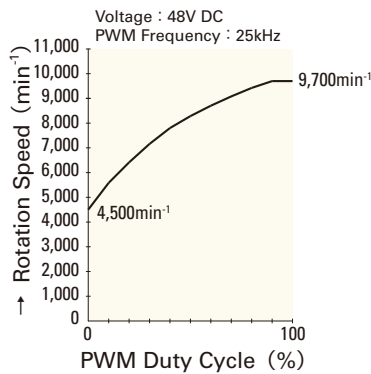
9WV0848P1H001

Operating Voltage Range



9WV0848P1H001

PWM Duty - Speed Characteristics Example



9WV0848P1H001