

140mm sq.

San Ace 140W

38mm thick, 51mm thick(WB type)



General Specifications

- Material Frame: Aluminum, Impeller: Plastics (Flammability: UL94V-1)
- Expected Life Refer to specifications (Indoor, L10:Survival rate: 90% at 60°C, rated voltage, and continuously run in a free air state)
- Lead Wire ⊕red ⊖black or blue (Sensor) yellow
- Storage Temperature -30°C to +70°C (Non-condensing)

140×140×51mm [Mass : 700g] **IP 68** **WBtype**

Specifications

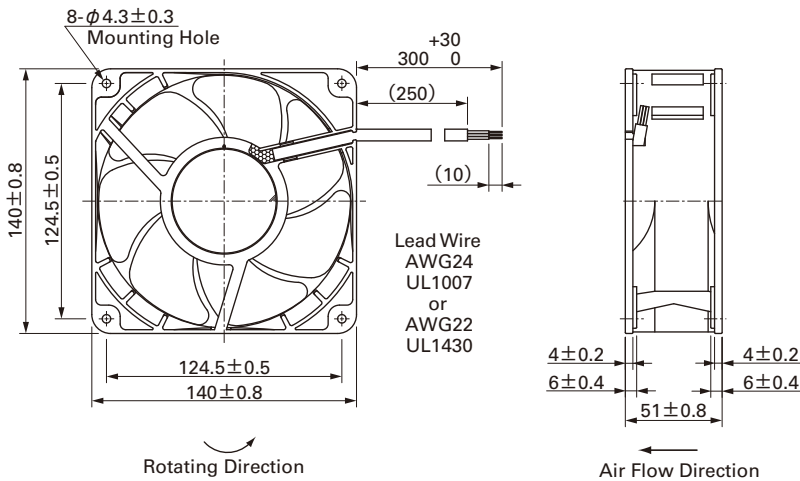
The following nos. have pulse sensors.

Model No.	Rated Voltage [V]	Operating Voltage Range [V]	Rated Current [A]	Rated Input [W]	Rated Speed [min ⁻¹]	Max. Air Flow [m ³ /min] [CFM]	Max. Static Pressure [Pa] [inchH ₂ O]	SPL [dB(A)]	Operating Temperature [°C]	Expected Life [h]		
9WB1412S501	12	10.2 to 13.8	2.7	32.4	4,200	8.1	286.2	240	0.96	57	- 20 to + 70	100,000
9WB1412H501			1.25	15	3,100	5.9	208.5	130	0.52	49		
9WB1412M501			0.46	5.52	2,050	3.9	138	63	0.25	39		
9WB1424H501	24	20.4 to 27.6	0.6	14.4	3,100	5.9	208.5	130	0.52	49	- 20 to + 70	100,000
9WB1424M501			0.22	5.28	2,050	3.9	138	63	0.25	39		
9WB1448S501	48	40.8 to 55.2	0.71	34.08	4,200	8.1	286.2	240	0.96	57	- 20 to + 70	100,000
9WB1448H501			0.27	12.96	3,100	5.9	208.5	130	0.52	49		

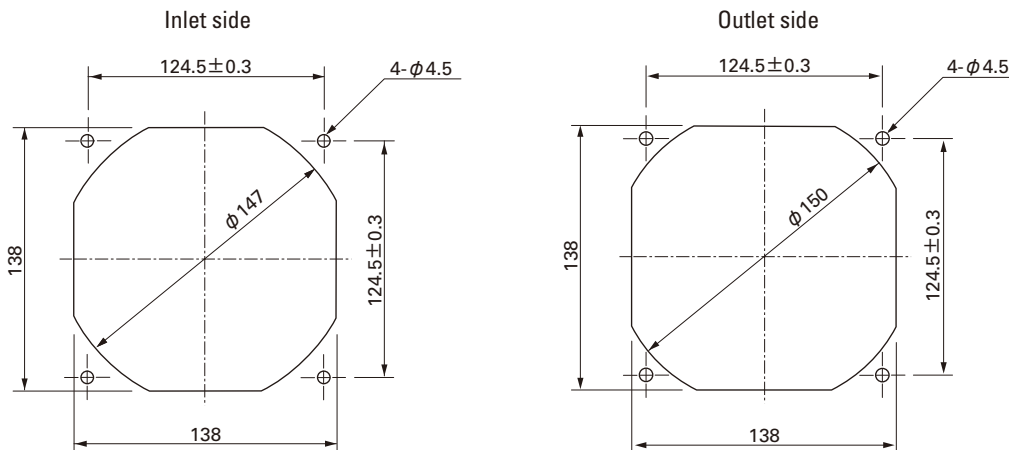
Available options: ⇒ **Without Sensor**

Please inquire as the availability of these functions depend on the model. ⇒ **Lock Sensor**

Dimensions (Unit : mm)



Reference dimension of mounting holes and vent opening (Unit : mm)



Options (Unit : mm)

Finger guards

Model : 109-719

Surface treatment : Nickel-chrome plating (silver)

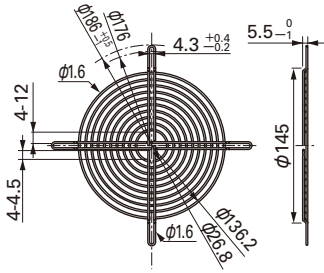
Color

Model : 109-719H

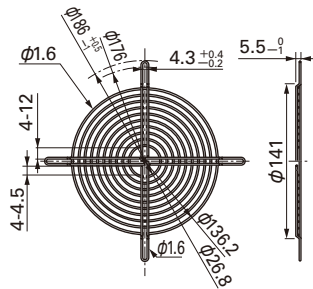
Surface treatment : Cation electropainting (black)

Color

Inlet side, Outlet side

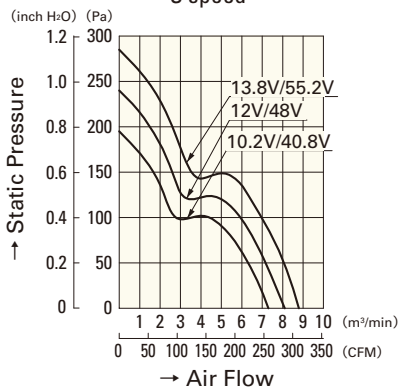


Inlet side, Outlet side



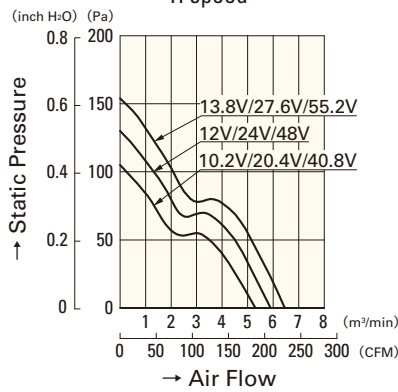
Air Flow - Static Pressure Characteristics

S speed



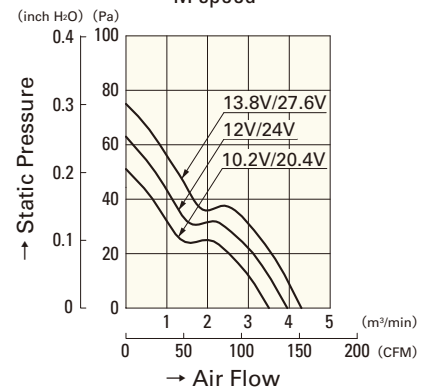
9WB1412S501
9WB1448S501

H speed



9WB1412H501
9WB1424H501
9WB1448H501

M speed



9WB1412M501
9WB1424M501