



Single Camera Full HD Mobile Digital Video Recorder

Model: MDVR-HDV6
USER MANUAL



MDVR-HDV6 In-Car Recorder

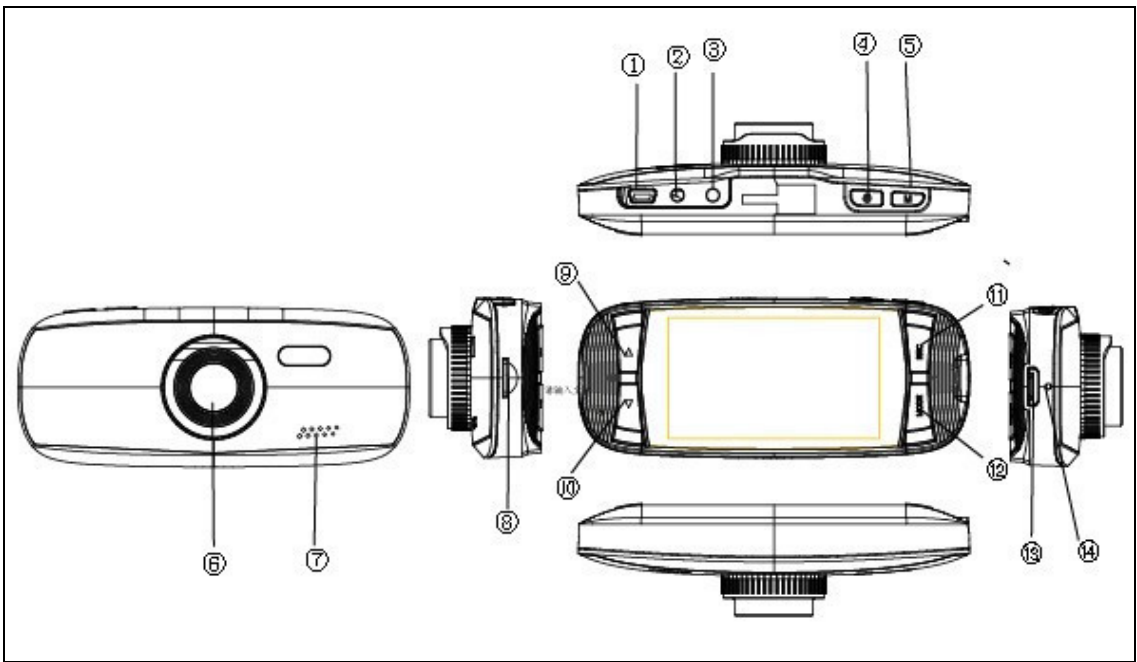
Operation Manual



Features

- 1920x1080 FULL HD video recording
- Advanced H.264 video compression
- 2.7 inch high resolution LCD display
- 120 degree wide angle lens
- 4X digital zoom
- HDMI output to view video on external TV/monitor
- Capture at 30 or 60 frames per second for smooth video recording
- G-sensor to keep records of sensor data and real-time display on the player
- Document protection while recording to maintain video file integrity after sudden power loss
- Continuous recording, old files are automatically overwritten with new files after filling storage
- Charge via PC (USB), AC adaptor or in-car cigarette lighter
- To start the auto automatic off; to start the video recording function
- Automatic circulating video recording, being able to set the record time for each file
- Time and Date stamp on video and image files
- Set specific video record duration
- MicroSD card storage – maximum of 32GB

Product Diagram



- | | |
|------------------------|--------------------------|
| 1) USB port | 8) MicroSD Card slot |
| 2) AV port | 9) UP key |
| 3) GPS port (Optional) | 10) DOWN key |
| 4) Power button | 11) REC button/OK button |
| 5) MENU button | 12) MODE button |
| 6) Lens | 13) HDMI port |
| 7) Speaker | 14) Reset button |

Key Functions

POWER	Power in-car recorder on and off
MENU	Open and close options menu
MODE	Switch operation mode and corresponding menu
REC/OK	Start or pause recording and select options in menu
UP	Scroll up through menus/zoom-in
DOWN	Scroll down through menus/zoom-out

Start Up

- Starting the MDVR-HDV6:
 - Press the **POWER** key to turn on in-car recorder. Power on is indicated by a blue light;
 - Press the **POWER** key again to power off the in-car recorder, the blue light will turn off.
- Charging Batteries:
 - Charging is indicated by a red light on the in-car recorder. This will turn off when the battery is fully charged. The unit can be charged using an AC adaptor, via USB connected to a computer or using a car charger.
- Inserting and Removing the Micro SD card:
 - Insert the Micro SD card into the slot and push it inwards until you hear it click into place. To remove the card, push it inwards again until it pops out, it can then be removed.

Basic Operation

- Switching between video, photo and playback modes:
 - Press the **MODE** key to cycle through video capture, photo capture and video/image playback modes
- Capture Video or Images:
 - Select the appropriate mode and press the **REC/OK** key to begin recording or to take a still image;
 - Video recording will begin on startup if the MDVR-HDV6 is plugged into the car cigarette lighter;
 - Press the **REC/OK** key while recording to stop video capture;
 - Press the **MODE** key while recording to change between day and night mode;
- Modifying settings for capture/playback modes:
 - When in the desired mode, press the **MENU** key e.g. to enter video settings, press **MENU** key after selecting the video mode. The menu can be navigated using the **UP** and **DOWN** keys and options can be selected using the **REC/OK** key;
- Modifying system settings:
 - Press **MENU** key twice to enter the system settings menu. The following options can be changed in this menu:
 - Format Micro SD card – delete all unlocked data stored on the micro SD card;
 - Language – select from English, Traditional Chinese, Simplified Chinese, Japanese, Russian, German, French, Spanish, Italian or Portuguese languages;
 - Date Setup – Set Date/Time;
 - Frequency – 50/60 Hz;
 - Reset System Settings – return all settings to defaults;
- G-Sensor Function
 - G-sensor sensitivity can be set to High, Medium, Low or Off in the system settings menu
 - Video capture will be locked following an event that triggers the G-sensor

Mode Specific Settings

- Video Mode:
 - Video resolution:
 - 1920x1080
 - 1440x1080
 - 1280x720
 - Time display – ON/OFF
 - Motion detection – ON/OFF
 - Cycle recording – Off/3min/5min/10min
 - Auto power-off – Off/1min/3min
 - Press button voice: Off/On
- Photo Mode:
 - Shoot Type – Single, 2sec clocking, 5sec clocking, 10sec clocking
 - Image resolution:

▪ VGA – 640x480	▪ 8 Megapixel – 3264x2448
▪ 1.3 Megapixel – 1280x960	▪ 10 Megapixel – 3648x2736
▪ 2 Megapixel – 1920x1080	▪ 12 Megapixel – 4032x3024
▪ 3 Megapixel – 2048x1536	
▪ 5 Megapixel – 2592x1944	

- Video/Image Playback Mode:
 - Press **UP** or **DOWN** key to select the desired file for playback;
 - Press **REC/OK** key to start and stop the video playback;
 - Adjust video volume using the **UP** or **DOWN** keys;
 - Rewind video using the **DOWN** key during playback;
 - Press **MENU** key to select the following:
 - Delete – Single/All/Select File;
 - Protect file – select to lock or unlock specific files;
 - Slide play (images) – select display delays of 2sec, 5sec, 8sec to play the slideshow;

Connect to PC

Connect the MDVR-HDV6 via USB to a computer. On the device, a blue indicator will turn on and the LCD screen will turn on. The MicroSD storage will be automatically detected. Here you can browse or manage video and image files stored on the card. To remove, turn off the device and unplug the USB cable.

Technical Specifications

LCD Display	2.7 inch LTPS display (4:3)
Lens	120° Wide Angle Lens
Language selection	English、Traditional、Chinese、Japanese、Russian、German、French、Spanish、Italian
Video resolution	1080HFD 1920*1080 1080P 1440*1080 720P 1280*720
Video format	MOV H.264 compress format
Image resolution	VGA 640*480, 1.3M 1280*960, 12M 4032*3024, 10M 3648*2736, 8M 3264*2448, 5M 2592*1944, 3M 2048*1536, 2M 1920*1080
Image format	JPG
Memory card	Micro SD
Microphone/Speaker	Yes
Shooting way	Single/2sec clocking/5sec clocking/10sec clocking
TV mode	PAL/NTSC
Frequency	50HZ/60HZ
USB Port	USB2.0
Power input	5V 500MA
Battery	Rechargeable Li-ion
Accessories	In-car charger and holder, USB cable, HDMI cable
PC View Requirements	Windows 2000/XP/Vista/7 or MAC OS 10.3.6 or above
Troubleshooting	If device crashes during usage, press the RESET button and restart