



Description

- Industry standard SMD crystal
- Plastic encapsulated
- Low profile version also available please contact our sales offices for details

Model	86SMX
Model Issue number	10

Frequency Parameters

Frequency	6.0MHz
Frequency Tolerance @ 25°C	±50.00ppm
Frequency Stability	±100.00ppm
Operating Temperature Range	-20.00 to 70.00°C
Overtone Order	Fundamental
Ageing	±5ppm max per year at 25°C

Electrical Parameters

Load Capacitance (C _L)	30.00pF
Shunt Capacitance (C ₀)	5pF max
Drive Level	100µW max
ESR	80Ω max

Environmental Parameters

- Vibration: 1.5mm amplitude, 10Hz-55Hz, 1min in 3 mutually perpendicular planes, duration 2hrs each plane
- Storage Temperature Range: -40 to 90°C
- Drop: 75cm drop (3 times) onto hard wooden board

Compliance

RoHS Status	Compliant
REACH Status	Compliant

Packaging

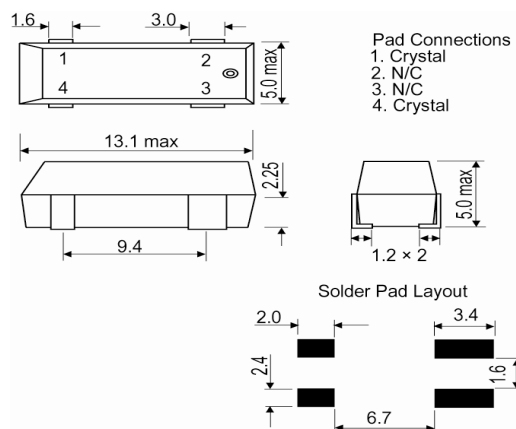
Pack Type: Bulk	Loose in bulk pack
Pack Size	100

- Alternative packing option available

This document is correct at the time of printing; please contact your local office for the latest version.



Outline (mm)



Sales Office Contact Details:

UK: +44 (0)1460 270200
Germany: +49 (0)7264 9145-0

France: +33 (0)5 34 50 91 18
USA: +1 (0) 408 455 2426

Email: info@iqdfrequencyproducts.com
Web: www.iqdfrequencyproducts.com