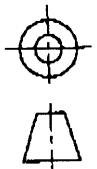


DRAWING No

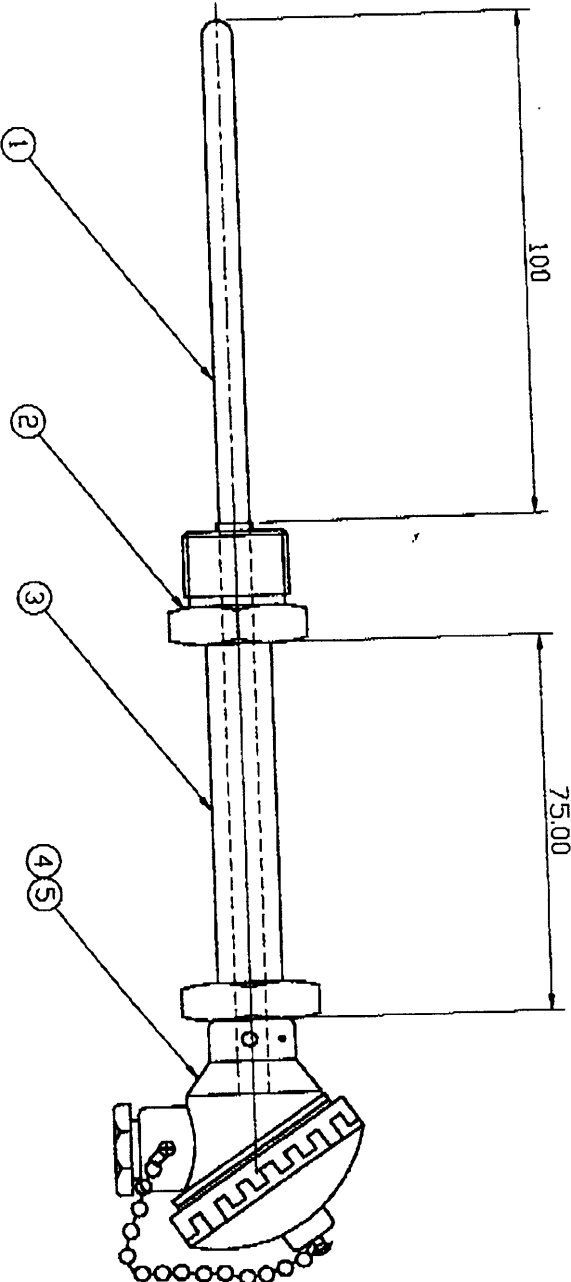
010012TD

DO NOT SCALE



THIRD ANGLE PROJECTION

IF IN DOUBT ASK



**CONTROLLED**

ISSUE	REASON FOR CHANGE	DRAWN	APP	DATE	MATERIAL:	FINISH:	TITLE:	DRAWN:	CHECKED:	DATE:	SCALE:
A	REFER TO NDR 0010	J.S.C		23.11.98	N/A	N/A	MI PROCESS SENSOR <100mm LONG>	J.S.C		23.11.98	1:1
B	REFER TO DCN 0003	J.S.C		07.12.98							

LABFACILITY LIMITED,  
99 WALDEGRAVE ROAD,  
TEDDINGTON,  
MIDDLESEX, TW11 8LR  
TEL: 0181 9435331  
FAX: 0181 9436351

TOLERANCE: ±0.25 UNLESS STATED OTHERWISE.  
-0.25 DOES NOT APPLY TO ASSY. DWGS.  
PART NUMBER: FARNELL 725-5603

THIS DRAWING REMAINS THE PROPERTY OF LABFACILITY LIMITED AND MAY NOT BE REPRODUCED WITHOUT OUR PERMISSION

DRAWING No. 010012TD

SHEET 1 OF 2 SHEETS SHEET SIZE A3

725-5603