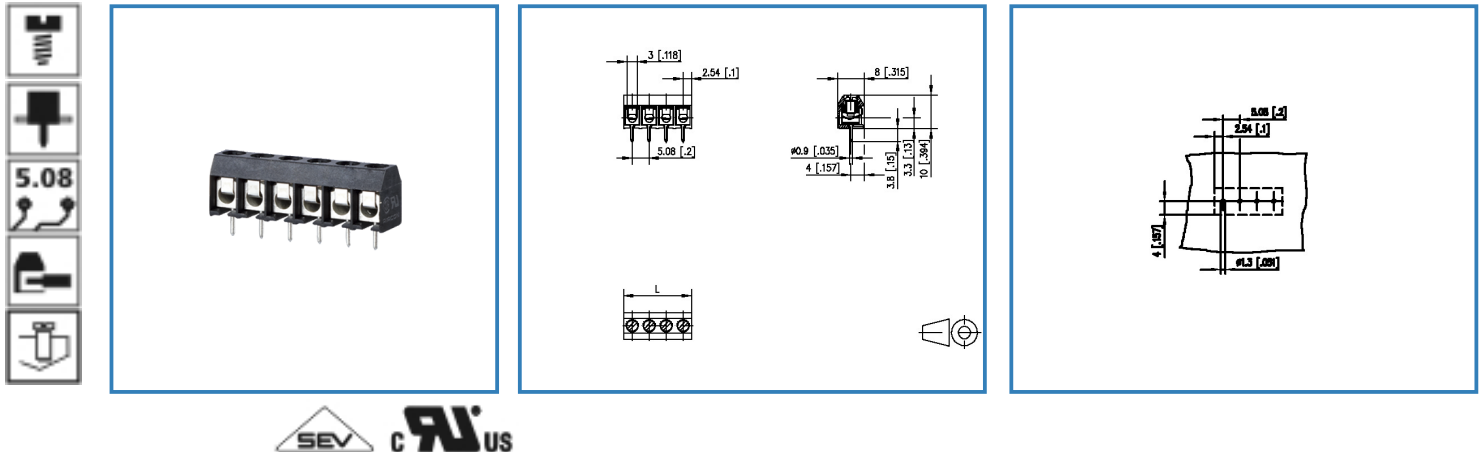


# Data Sheet

## RT016xxHBWC

### Illustration



see enlarged drawing at the end of the document

### Product specification

- screw type terminal block, solderable
- centerline 5.08 mm, direction of connection 90°
- wire protector, fittable without loss of poles
- color black
- Connection data

**CRIUS** V / A / AWG 300 / 15 / 28 - 14

**SEV** 1.5 mm<sup>2</sup> 130 V / 13 A / T60

# Data Sheet

## RT016xxHBWC

Page 2/4

P/N

311011xx

xx=number of poles



2013/12/05

### Technical Data

#### General Data

Tightening torque SEV	0.5 Nm		
Tightening torque UL	7 lb-in		
Solder pin length	3.8 mm		
min. number of poles	2		
max. number of poles	22		
Insulating material class	CTI 600		
clearance/creepage dist.	2.7 mm		
protection category	IP 10		
Overvoltage category	III	III	II
Pollution degree	3	2	2
Rated voltage	200 V	500 V	500 V
Rated test voltage	2.5 kV	2.5 kV	2.5 kV

#### Connection data

 V / A / AWG	300 / 15 / 28 - 14		
 1.5 mm <sup>2</sup>	130 V / 13 A / T60		

#### Material

insulating material	PA66
flammability class	V0
terminal body material	CuZn
terminal body surface	Ni + Sn
screw surface	Zn Cr(VI)-frei/free
wire protector material	CuSn
wire protector surface	Sn
screw thread	M3

#### Climatic properties

upper limit temperature	105 °C
lower limit temperature	-40 °C

#### General

solderability	For THR products acc. to IPC/JEDEC J-STD-020D-MSL 1   For THT products max. 260 °C / 10 s
Tolerance	ISO 2768 -mH



# Data Sheet

## RT016xxHBWC

Page 3/4

P/N

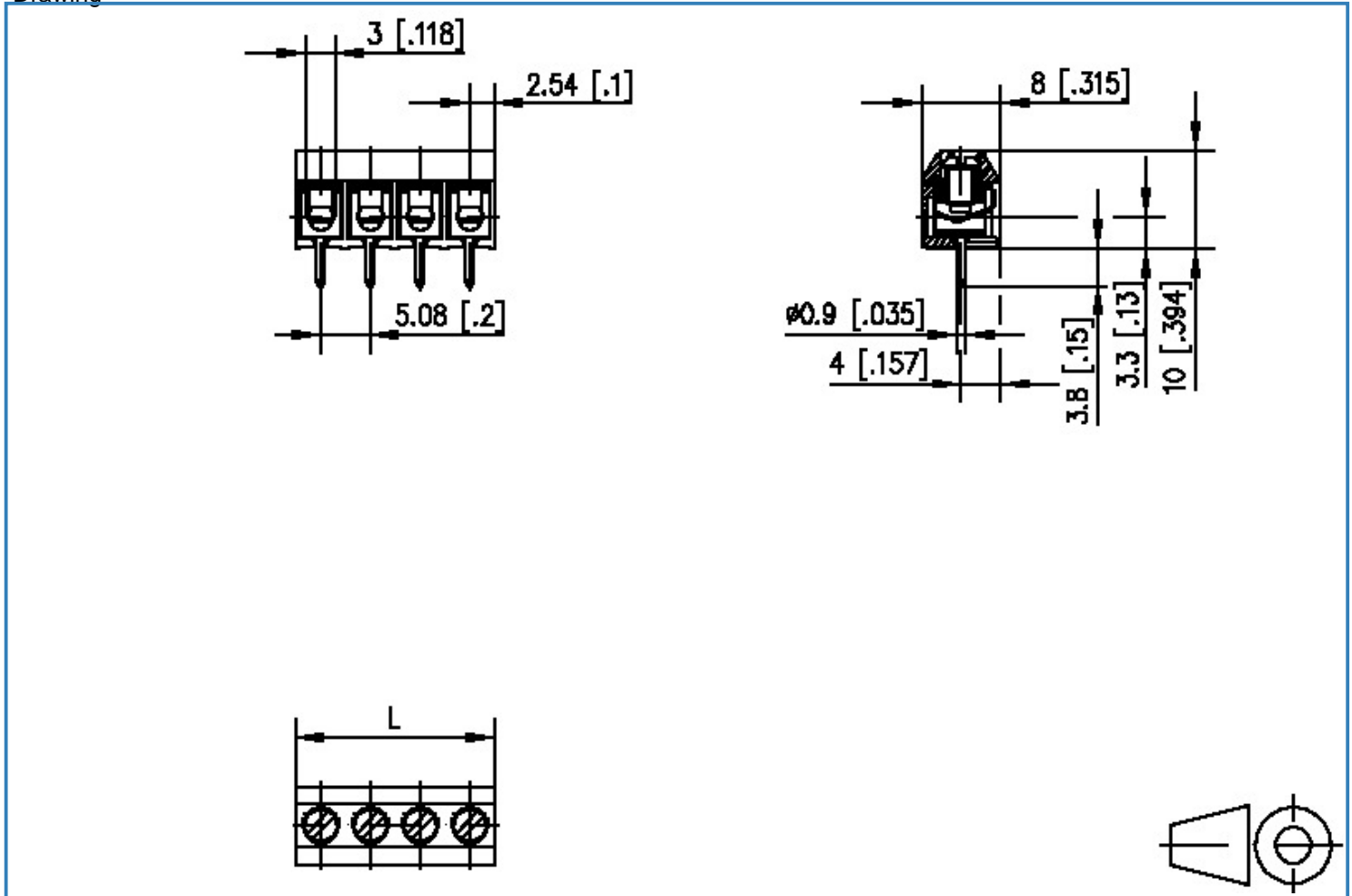
311011xx

xx=number of poles

2013/12/05

### Illustration

Drawing



$L = (\text{pole size} - 1) \times \text{centerline} + 5.08 [0.2]$



# Data Sheet

## RT016xxHBWC

Page 4/4

P/N

311011xx

xx=number of poles

2013/12/05

### PCB Layout

