

# Data Sheet

## PR066xxVBBN

Page 1/5

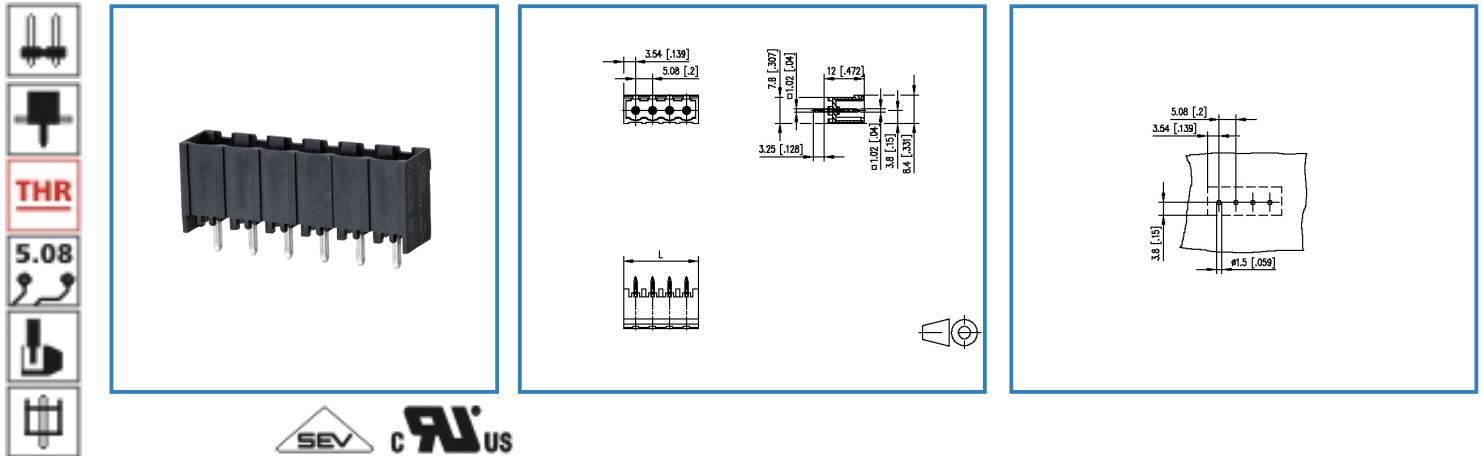
P/N

311791xx

xx=number of poles

2013/12/05

### Illustration



see enlarged drawing at the end of the document

### Product specification

- pin header, THR solderable
- centerline 5.08 mm, direction of connection vertical 0°
- closed ends
- color black
- Tape & Reel packaging
- codeable
- Connection data

**cRUUS** V / A 300 / 15

**SEV** 13.5 A / 320 V / 4 kV / 3 / IEC 61984

# Data Sheet

## PR066xxVBBN

Page 2/5

P/N

311791xx

xx=number of poles



2013/12/05

### Technical Data

#### General Data

Solder pin length	3.25 mm		
min. number of poles	2		
max. number of poles	12		
Insulating material class	CTI 600		
clearance/creepage dist.	4.08 mm		
protection category	IP 00		
Overvoltage category	III	III	II
Pollution degree	3	2	2
Rated voltage	320 V	800 V	800 V
Rated test voltage	4 kV	4.0 kV	4 kV

#### Connection data

 V / A	300 / 15		
	13.5 A / 320 V / 4 kV / 3 / IEC 61984		

#### Material

insulating material	PA66/6T
flammability class	V0
contact pin material	CuMg
contact pin surface	Cu + Sn

#### Climatic properties

upper limit temperature	105 °C
lower limit temperature	-40 °C

#### General

solderability	For THR products acc. to IPC/JEDEC J-STD-020D-MSL 1   For THT products max. 260 °C / 10 s
Tolerance	ISO 2768 -mH

# Data Sheet

## PR066xxVBBN

Page 3/5

P/N

311791xx

xx=number of poles

2013/12/05

### Matching Part to

P/N	Product name
312501	RP016xxSBLC Typ 250

### Accessories

P/N	Product name
700024-01-9	700024



METZ CONNECT GmbH

Im Tal 2 | 78176 Blumberg | Germany | [www.metz-connect.com](http://www.metz-connect.com)

Phone +49 7702 533-0 | Fax +49 7702 533-433

Montageanleitung / Mounting instruction siehe / see [www.metz-connect.com](http://www.metz-connect.com)

Members of METZ CONNECT



# Data Sheet

## PR066xxVBBN

Page 4/5

P/N

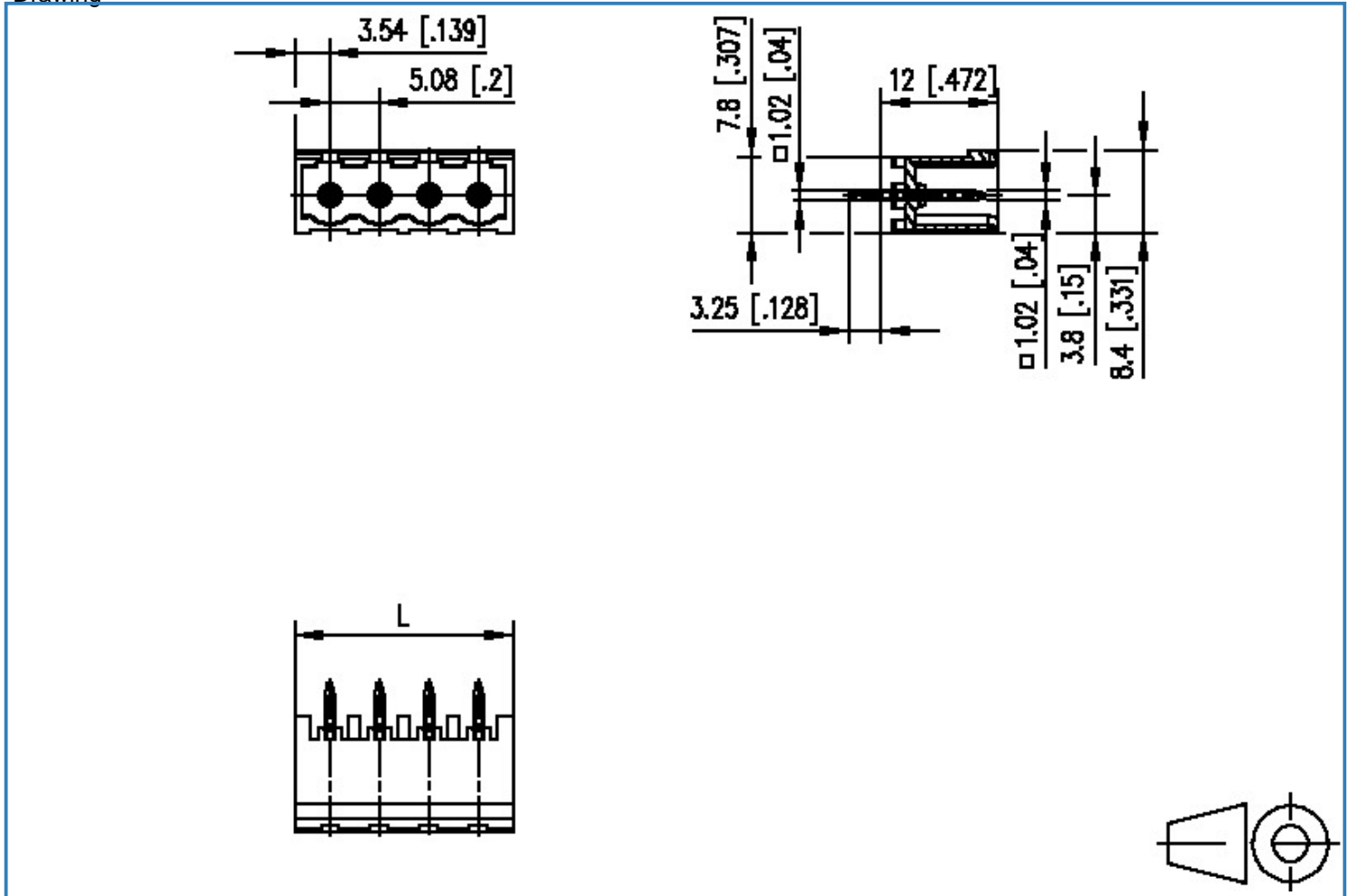
311791xx

xx=number of poles

2013/12/05

### Illustration

Drawing



$L = (\text{pole size} - 1) \times \text{centerline} + 7.08 [0.279]$



# Data Sheet

## PR066xxVBBN

Page 5/5

P/N

311791xx

xx=number of poles

2013/12/05

### PCB Layout

