

RoHS
Compliant



Description:

The heavy duty cable ties offer a higher tensile strength for heavy load applications. The head design guarantees high tensile strength, as well as a low insertion force. The bent tail design allows quick and simple installations by hand.

Feature:

- Heavy duty design to offer higher tensile strength.
- Head design provides high tensile strength with very low insertion force.
- Bent tail ensures a quick and simple installation.

Specifications:

Material	: Polyamide 6.6 (PA66)
Material Shortcut	: PA66
Halogenfree	: Yes
Colour	: Natural (NA)
Tie Closure	: Plastic Pawl
Variant	: Inside Serrated
Operating Temperature	: -40°C to +85°C (-40°F to +185°F)

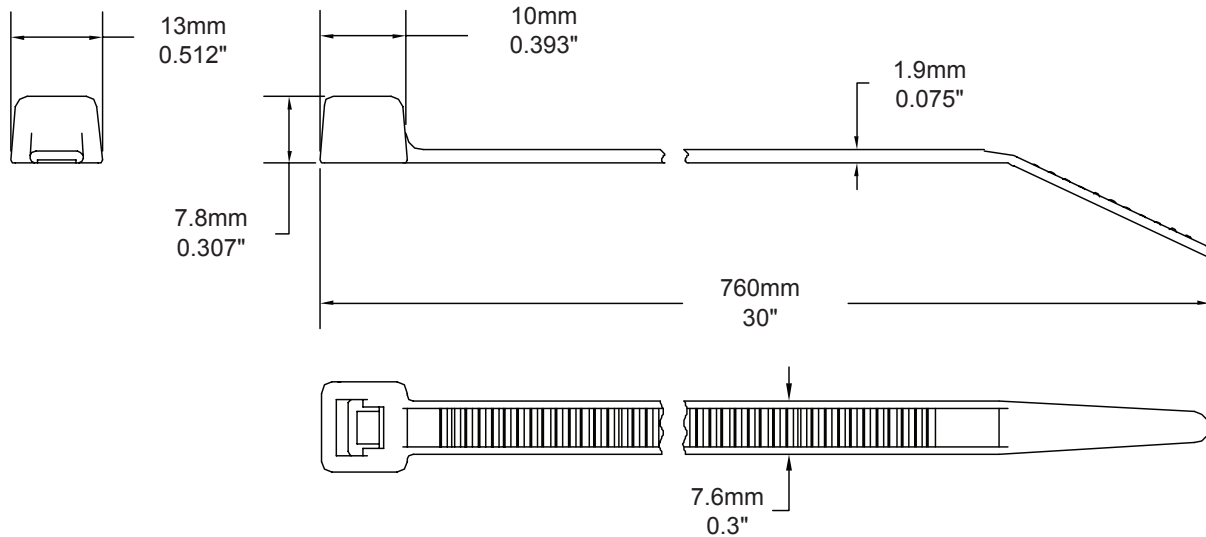
Product Dimensions

Min. Tensile Strength (imperial)	: 120lbs
Min. Tensile Strength (N)	: 535 N
Length L	: 760mm (30")
Width W	: 7.6mm (0.3")
Bundle Diameter (Min.)	: 5.76mm (0.23")
Bundle Diameter (Max.)	: 225mm (8.85")
Thickness	: 1.9mm (0.075")
Cable Tie Head Height	: 7.8mm (0.307")
Cable Tie Head Length	: 10mm (0.393")
Cable Tie Head Width	: 13mm (0.512")

Packaging	: 50 to Bag
-----------	-------------

Heavy-Duty Cable Tie

pro-POWER



Part Number Table

Description	Part Number
Heavy Duty Cable Tie, 30" Long, 120lb Tensile Strength, PA66, Natural, 50/pkg	8409-0338

Important Notice : This data sheet and its contents (the "Information") belong to the members of the Premier Farnell group of companies (the "Group") or are licensed to it. No licence is granted for the use of it other than for information purposes in connection with the products to which it relates. No licence of any intellectual property rights is granted. The Information is subject to change without notice and replaces all data sheets previously supplied. The Information supplied is believed to be accurate but the Group assumes no responsibility for its accuracy or completeness, any error in or omission from it or for any use made of it. Users of this data sheet should check for themselves the Information and the suitability of the products for their purpose and not make any assumptions based on information included or omitted. Liability for loss or damage resulting from any reliance on the Information or use of it (including liability resulting from negligence or where the Group was aware of the possibility of such loss or damage arising) is excluded. This will not operate to limit or restrict the Group's liability for death or personal injury resulting from its negligence. pro-POWER is the registered trademark of the Group. © Premier Farnell plc 2012.

www.element14.com
 www.farnell.com
 www.newark.com
 www.cpc.co.uk

pro-POWER