

Waterproof RJ45 CAT5E STP Pass-Through Jack



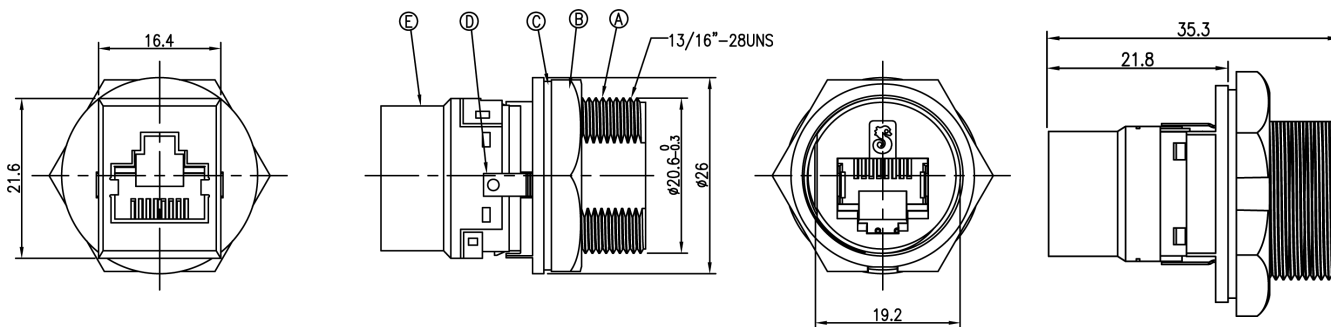
Specifications:

Waterproof Rate : IP67 (when properly mated)
IP67 : Immersed in 1M water for 30 minutes.

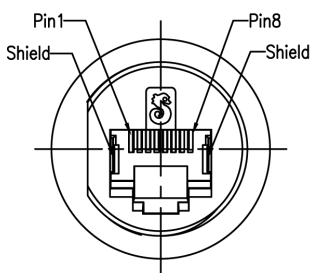
Electrical Characteristics:

Rating : 125V 1.5A.
Contact Resistance : 100mΩ Max. (initial)
Dielectric withstanding Voltage : 500V AC for one minute
Insulation Resistance : 100mΩ Min. measured by 500V DC

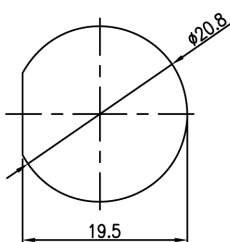
Other general specifications to refer RJ45 series specifications.
To conform to singatron hazardous substance free specifications.
For panel thickness maximum of 3.5mm.



Pin Assignments
Front View



Recommended Panel
Cut-Out



Dimensions : Millimetres

No	Description	Material	Plating and Colour
A	Housing	PPE	Black
B	Screw Nut		
C	Gasket	EPDM	
D	Ground	C5210-EH, T = 0.25mm	Nickel plating 60µ inches
E	RJ45 Jack	CAT5E STP	N/A

Part Number Table

Description	Part Number
Jack, STP, CAT5E, Panel Mount, IP67	2TJ3003-W05100

Important Notice : This data sheet and its contents (the "Information") belong to the members of the Premier Farnell group of companies (the "Group") or are licensed to it. No licence is granted for the use of it other than for information purposes in connection with the products to which it relates. No licence of any intellectual property rights is granted. The Information is subject to change without notice and replaces all data sheets previously supplied. The Information supplied is believed to be accurate but the Group assumes no responsibility for its accuracy or completeness, any error in or omission from it or for any use made of it. Users of this data sheet should check for themselves the Information and the suitability of the products for their purpose and not make any assumptions based on information included or omitted. Liability for loss or damage resulting from any reliance on the Information or use of it (including liability resulting from negligence or where the Group was aware of the possibility of such loss or damage arising) is excluded. This will not operate to limit or restrict the Group's liability for death or personal injury resulting from its negligence. Multicomp is the registered trademark of the Group. © Premier Farnell plc 2012.

www.element14.com
www.farnell.com
www.newark.com

