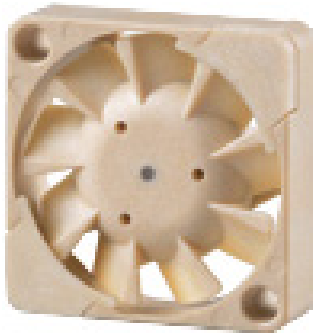


Specifications:



Rated voltage	3V DC
Operating Voltage Range	2V DC to 3.5V DC
Starting Voltage	2V DC (25°C power on/off)
Rated Speed	16,500 RPM \pm 30%
Air Delivery	5.95 L/min
Static Pressure	18.91 Pa
Rated Current	97mA
Rated Power	0.3 Watts
Noise Level	14dB(A) @ 1M 28.3dB(A) @ 0.2M
Direction of Rotation	Counter-clockwise viewed from front of fan blade
Operating Temperature	-10°C to +70°C
Storage Temperature	-40°C to +70°C
Bearing System	Vapo Bearing System
Weight	0.7g
Protection	*Automatic Restart Polarity Protection

*In a situation where the fan is locked by an external force while the electricity is on, an increase in coil temperature will be prevented by temporarily turning off the electrical power to the motor. The fan will automatically restart when the locked rotor condition is released.

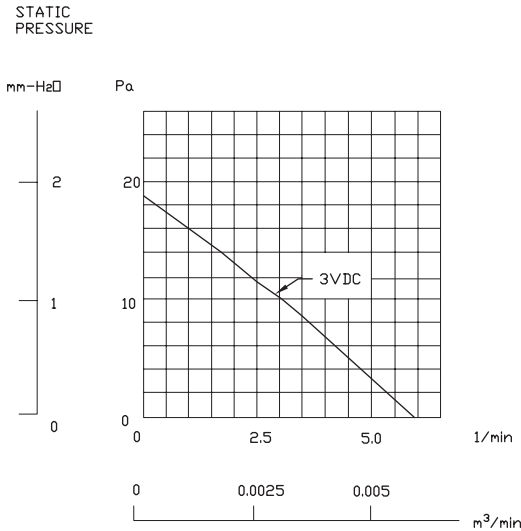
Characteristics:

Motor design	Single phase, 6-poles Brushless DC motor
Insulation Resistance	More than 20M Ω between internal stator and lead wire(+) measured at DC 100V.
Dimensions	12mm \times 12mm \times 3mm
Dielectric Strength	Applied AC 500V for one minute or AC 600V for 2 seconds between housing and lead wire(+)
Noise Level	Measured in a semi-anechoic chamber with background noise level below 15dB(A). The fan is running in free air with the microphone at a distance of 20 centimetre from the fan intake.
Input Power, Current & Speed	Measured after continuous 10 minute operation at rated voltage in clean air, and at ambient temperature of 25°C.
Tolerance	+15% / -30% on rated power and current.
Air Performance	Measured by a double chamber. The values are recorded when the fan speed has stabilized at rated voltage.

DC Brushless Fan



Performance Curves

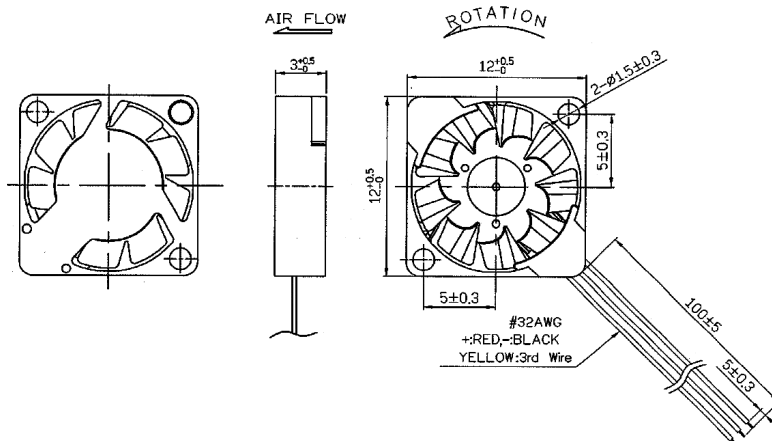


Material:

- Frame : Thermoplastic LCP
- Impeller : Thermoplastic LCP
- Lead Wire : 32 AWG, +Red, -Black
32 AWG, Yellow, 3rd Wire

Screw Type (Pan Head)	Torque	Screw Spec.	
		Size	Standard
Machine screw	0.3 to 0.5 Kgf-cm	M1.4	JISB1111-1974

Dimensions



Dimensions : Millimetres

Part Number Table

Description	Part Number
DC Brushless Fan	MC34114

Important Notice : This data sheet and its contents (the "Information") belong to the members of the Premier Farnell group of companies (the "Group") or are licensed to it. No licence is granted for the use of it other than for information purposes in connection with the products to which it relates. No licence of any intellectual property rights is granted. The Information is subject to change without notice and replaces all data sheets previously supplied. The Information supplied is believed to be accurate but the Group assumes no responsibility for its accuracy or completeness, any error in or omission from it or for any use made of it. Users of this data sheet should check for themselves the Information and the suitability of the products for their purpose and not make any assumptions based on information included or omitted. Liability for loss or damage resulting from any reliance on the Information or use of it (including liability resulting from negligence or where the Group was aware of the possibility of such loss or damage arising) is excluded. This will not operate to limit or restrict the Group's liability for death or personal injury resulting from its negligence. Multicomp is the registered trademark of the Group. © Premier Farnell plc 2012.

www.element14.com
www.farnell.com
www.newark.com

