

**PLEASE CHECK WWW.MOLEX.COM FOR LATEST PART INFORMATION**

**Part Number:** [53856-5070](#)  
**Status:** **Active**  
**Overview:** CompactFlash™  
**Description:** 1.27mm Pitch CF Card Header - Right Angle, Surface Mount Top Mounting For Type I Cards, Tray Packaging, Lead-Free

**Documents:**

[3D Model](#) [Packaging Specification SPK-53856-001 \(PDF\)](#)  
[Drawing \(PDF\)](#) [RoHS Certificate of Compliance \(PDF\)](#)  
[Product Specification PS-53856-011 \(PDF\)](#)

**General**

Product Family	Memory Card Sockets
Series	<a href="#">53856</a>
Component Type	Header/Socket (Host)
Overview	<a href="#">CompactFlash™</a>
Product Name	CompactFlash
Style	Guide and Holder
Type	I
UPC	822348225514

**Physical**

Card Detection Switch	N/A
Circuits (Loaded)	50
Durability (mating cycles max)	10,000
Ejector Button	No
Ejector Button Side	N/A
Entry Angle	90° Angle (Side Entry)
Keying to Mating Part	Yes
Material - Metal	Phosphor Bronze
Material - Plating Mating	Gold
Material - Plating Termination	Tin
Net Weight	3271.900/mg
PCB Mounting Side	Normal
PCB Retention	Yes
Packaging Type	Tray
Pitch - Mating Interface	1.27mm
Plating min - Mating	0.203µm
Plating min - Termination	2.032µm
Ports	1
Temperature Range - Operating	-20°C to +90°C
Termination Interface: Style	Surface Mount

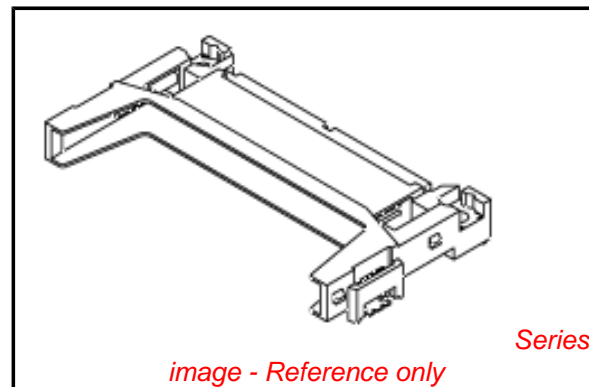
**Electrical**

Current - Maximum per Contact	0.5A
Voltage - Maximum	100V AC
Voltage Key	3.3V, 5.0V

**Material Info**

**Reference - Drawing Numbers**

Packaging Specification	SPK-53856-001
Product Specification	PS-53856-011, RPS-53856-014
Sales Drawing	SD-53856-007



*image - Reference only*

**EU RoHS**

**ELV and RoHS  
Compliant**  
**REACH SVHC  
Contains SVHC: No**  
**Low-Halogen Status  
Low-Halogen**

**China RoHS**



**Need more information on product  
environmental compliance?**

Email [productcompliance@molex.com](mailto:productcompliance@molex.com)  
 For a multiple part number RoHS Certificate of Compliance, [click here](#)

Please visit the [Contact Us](#) section for any non-product compliance questions.

**Search Parts in this Series**

[53856Series](#)

**Mates With**

Industry Standard CF Card

**Use With**

[55021](#) , [55022](#)

This document was generated on 09/11/2014

**PLEASE CHECK [WWW.MOLEX.COM](http://WWW.MOLEX.COM) FOR LATEST PART INFORMATION**