

**PLEASE CHECK WWW.MOLEX.COM FOR LATEST PART INFORMATION**

**Part Number:** [50011-8000](#)  
**Status:** **Active**  
**Overview:** MicroBlade™ Connection System  
**Description:** 2.00mm Pitch MicroBlade™ Wire-to-Wire Crimp Terminal, Female, 24-30 AWG, Reel

**Documents:**

<a href="#">Drawing (PDF)</a>	<a href="#">Product Specification PS-54183-003 (PDF)</a>
<a href="#">Product Specification PS-51004-002 (PDF)</a>	<a href="#">Product Specification PS-55381-004 (PDF)</a>
<a href="#">Product Specification PS-51049-001 (PDF)</a>	<a href="#">RoHS Certificate of Compliance (PDF)</a>

**General**

Product Family	Crimp Terminals
Series	<a href="#">50011</a>
Application	Signal
Crimp Quality Equipment	Yes
Overview	<u>MicroBlade™ Connection System</u>
Packaging Alternative	<a href="#">50011-8100 (Loose)</a>
Product Name	MicroBlade™
UPC	800753576544

**Physical**

Gender	Female
Material - Metal	Phosphor Bronze
Material - Plating Mating	Tin
Material - Plating Termination	Tin
Net Weight	22.490/mg
Packaging Type	Reel
Termination Interface: Style	Crimp or Compression
Wire Insulation Diameter	0.80-1.40mm
Wire Size AWG	24, 26, 28, 30
Wire Size mm²	N/A

**Electrical**

Current - Maximum per Contact	2A
Voltage - Maximum	125V

**Material Info**

**Reference - Drawing Numbers**

Crimp Specification	CS-50011-8*00
Product Specification	PS-51004-002, PS-51049-001, PS-54183-003, PS-55381-004, RPS-51004-001, RPS-51004-002, RPS-51004-003, RPS-51004-004, RPS-51004-005, RPS-51004-006, RPS-51004-007, RPS-51004-008, RPS-51004-009, RPS-51004-010, RPS-51004-011, RPS-51004-012, RPS-51004-013, RPS-51004-014, RPS-51004-015, RPS-51004-016, RPS-51004-017, RPS-51004-018, RPS-51004-019, RPS-51004-020, RPS-51004-021, RPS-51004-022, RPS-51004-023, RPS-51004-024, RPS-51004-025, RPS-51004-026, RPS-53014-001, RPS-54183-001, RPS-54183-002, RPS-55381-001, RPS-55381-002
Sales Drawing	SD-50011-8*00

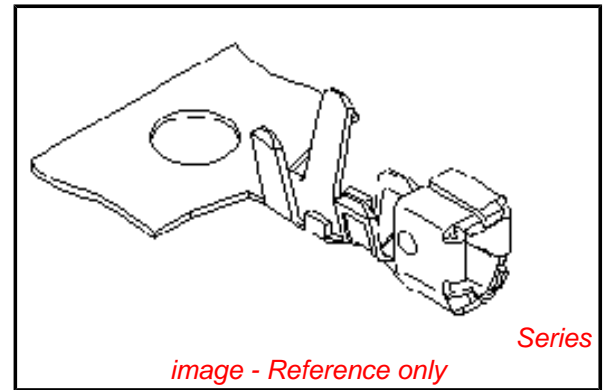


image - Reference only

**EU RoHS**

**ELV and RoHS Compliant**  
**REACH SVHC Contains SVHC: No**  
**Low-Halogen Status Low-Halogen**

**China RoHS**



**Need more information on product environmental compliance?**

Email [productcompliance@molex.com](mailto:productcompliance@molex.com)  
 For a multiple part number RoHS Certificate of Compliance, [click here](#)

Please visit the [Contact Us](#) section for any non-product compliance questions.

**Search Parts in this Series**

[50011Series](#)

**Mates With**

[53014](#) , [53015](#) , [53025](#) MicroBlade™ Headers

**Use With**

[51004](#) MicroBlade™ Housing

**Application Tooling | FAQ**

*Tooling specifications and manuals are found by selecting the products below. Crimp Height Specifications are then contained in the Application Tooling Specification document.*

**Global**

Description	Product #
Hand Crimp Tool for Crimp Terminals	<a href="#">0638190100</a>
T2 Terminator Die, 24-30 AWG	<a href="#">0639103800</a>
FineAdjust™ Applicator for	<a href="#">0639003800</a>

2.00mm Pitch Wire-  
to-Wire Terminal,  
24-30 AWG Wire  
Extraction Tool 0011030043

**Japan**

<b>Description</b>	<b>Product #</b>
--------------------	------------------

Applicator for M211A	<u>0570303000</u>
----------------------	-------------------

Bench Press, 22-30

AWG Wire

Extraction Tool	<u>0571056000</u>
-----------------	-------------------

This document was generated on 10/03/2014

**PLEASE CHECK [WWW.MOLEX.COM](http://WWW.MOLEX.COM) FOR LATEST PART INFORMATION**