

**PLEASE CHECK WWW.MOLEX.COM FOR LATEST PART INFORMATION**

**Part Number:** [19005-0009](#)  
**Status:** **Active**  
**Overview:** [Quick-Disconnect Terminals](#)  
**Description:** InsulKrimp™ Fully Insulated Coupler, Female, for 14-16 AWG Wire, Mylar Tape

**Documents:**

|  |  |
|--|--|
| <a href="#">3D Model</a>                                 | <a href="#">Product Specification PS-19902-011 (PDF)</a> |
| <a href="#">Drawing (PDF)</a>                            | <a href="#">Product Specification PS-19902-015 (PDF)</a> |
| <a href="#">Product Specification PS-19902-008 (PDF)</a> | <a href="#">RoHS Certificate of Compliance (PDF)</a>     |

**Agency Certification**

|     |         |
|-----|---------|
| CSA | LR18689 |
| UL  | E79133  |

**General**

|                         |  |
|-------------------------|--|
| Product Family          | Quick Disconnects                          |
| Series                  | <a href="#">19005</a>                      |
| Crimp Quality Equipment | Yes  |
| Insulated               | Fully                                      |
| Overview                | <a href="#">Quick-Disconnect Terminals</a> |
| Product Name            | InsulKrimp™                                |
| Type                    | Quick Disconnect                           |
| UPC                     | 800753030541                               |

**Physical**

|                                |                       |
|--------------------------------|-----------------------|
| Barrel Type                    | Closed                |
| Color - Resin                  | Blue                  |
| Flammability                   | 94V-2                 |
| Gender                         | Female                |
| Glow-Wire Compliant            | Yes                   |
| Insulation                     | Nylon (PA)            |
| Lock to Mating Part            | None                  |
| Material - Metal               | Brass                 |
| Material - Plating Mating      | Tin                   |
| Material - Plating Termination | Tin                   |
| Material - Resin               | Nylon                 |
| Net Weight                     | 1.359/g               |
| Orientation                    | Straight              |
| Packaging Type                 | Adhesive Tape on Reel |
| Polarized to Mating Part       | No                    |
| Tab Thickness                  | 0.81mm                |
| Tab Width                      | 6.35mm                |
| Temperature Range - Operating  | -65°C to +105°C       |
| Wire Insulation Diameter       | 4.19mm max.           |
| Wire Size AWG                  | 14, 16                |
| Wire Size mm²                  | 1.30 - 2.00           |

**Electrical**

|                   |      |
|-------------------|------|
| Voltage - Maximum | 600V |
|-------------------|------|

**Material Info**

|                 |          |
|-----------------|----------|
| Old Part Number | BB-2263T |
|-----------------|----------|

**Reference - Drawing Numbers**

|                       |  |
|-----------------------|--|
| Product Specification | PS-19902-008, PS-19902-011, PS-19902-015 |
| Sales Drawing         | SD-19005-001                             |

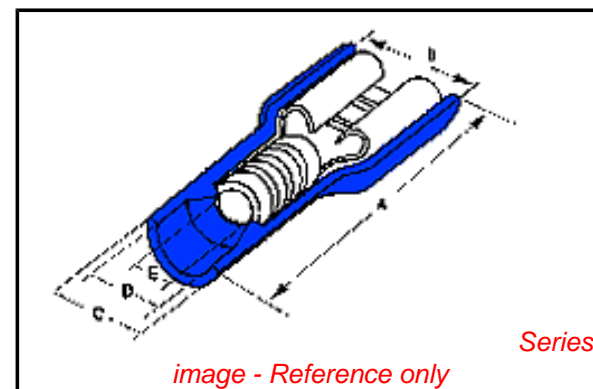


image - Reference only

**EU RoHS**

**ELV and RoHS Compliant**  
**REACH SVHC Contains SVHC: No**  
**Low-Halogen Status Low-Halogen**

**China RoHS**



**Need more information on product environmental compliance?**

Email [productcompliance@molex.com](mailto:productcompliance@molex.com)  
 For a multiple part number RoHS Certificate of Compliance, [click here](#)

Please visit the [Contact Us](#) section for any non-product compliance questions.

**Search Parts in this Series**

19005Series

**Use With**

19004-0005 , 19004-0008

**Application Tooling | FAQ**

*Tooling specifications and manuals are found by selecting the products below. Crimp Height Specifications are then contained in the Application Tooling Specification document.*

**Global**

| Description | Product # |
|-------------|-----------|
|-------------|-----------|

|   |                            |
|---|----------------------------|
| Crimp Dies for MTA-100 Tape Applicator used in 3BF Press, MTA-105 Tape Applicator used in TM-2000™ Press, and ATP-301 Air Crimping Press for Mylar Tape Mounted Terminals | <a href="#">0192880095</a> |
|---|----------------------------|

This document was generated on 10/09/2014

**PLEASE CHECK [WWW.MOLEX.COM](http://WWW.MOLEX.COM) FOR LATEST PART INFORMATION**