

# Cat 6E STP Coupler with Flange

**RoHS  
Compliant**



## Specifications:

Qualified Cat.6/Class E  
Permanent Link/Channel of TIA/EIA-568-B.2 Cat.6  
ISO/IEC 11801  
CENELEC EN 50173  
IEC 60603-7

## Electrical:

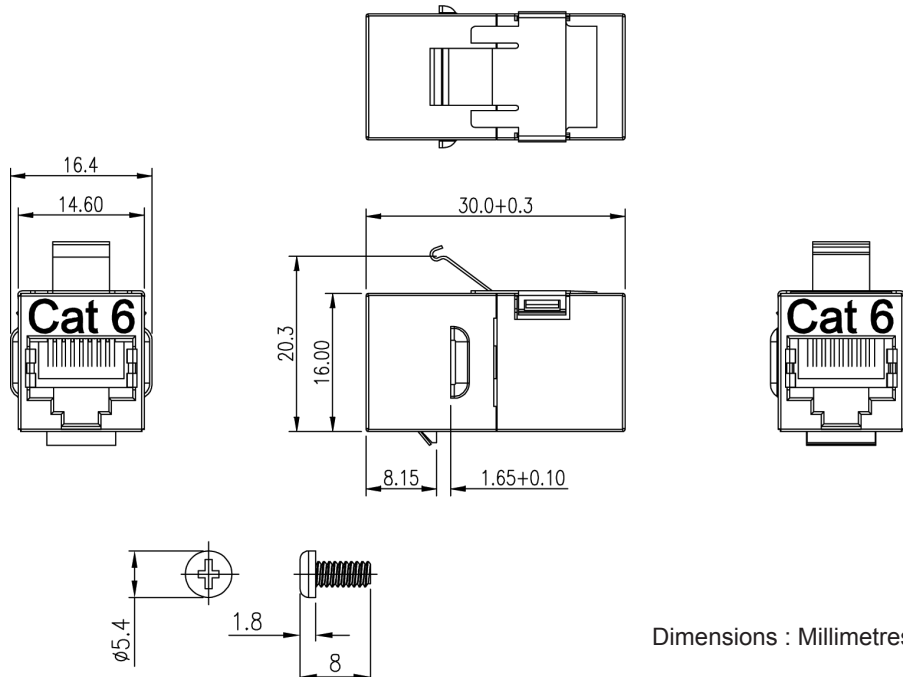
Current Rating : 1.5A  
Insulation Resistance : 500MΩ Min.  
Contact Resistance : 20mΩ Max.  
DC Resistance : 0.1Ω Max.

## Mechanical:

Plug Insertion Life : 750 Cycles Min.  
Plug & Jack Contact Force : 100 Grams Min. Using FCC-Approved Plug  
Plug Retention Force : 30lbs Min.  
Temperature : -40°C to 65°C (-40 to 150°F)

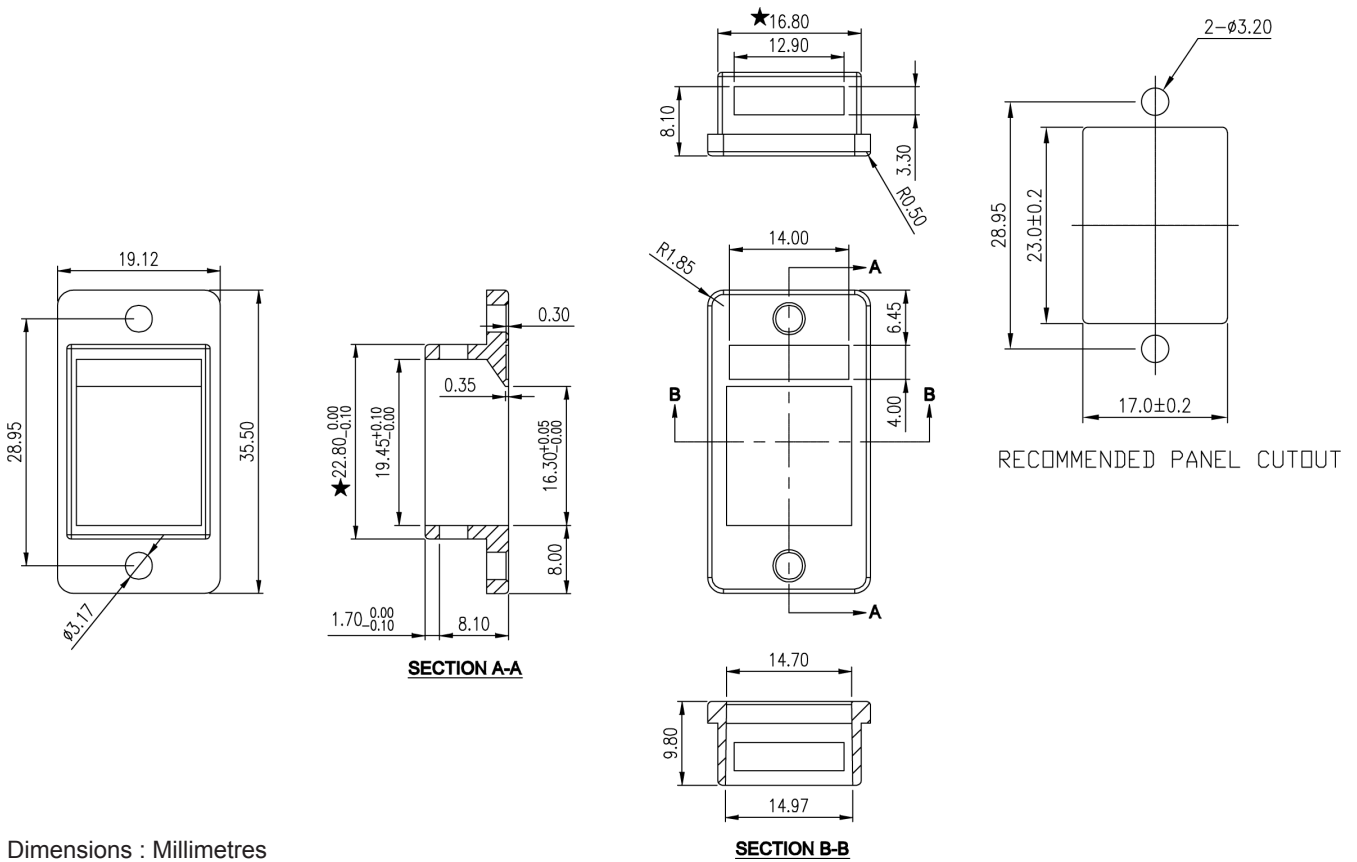
## Physical:

Housing : High Impact Flame Retardant Plastic  
Shielded : 0.25t Copper Alloy with Nickel Plated  
Bracket : 0.3t SUS 301  
PCB : FR4, 1mm Thickness  
Jack Wiring : Phosphor Bronze  
Gold Over Nickel Plated  
Flange : Zinc Alloy 3 with Nickel Plated  
Screw : #4-40 UNC



Dimensions : Millimetres

# Cat 6E STP Coupler with Flange



## Part Number Table

Description	Part Number
CAT 6E STP Coupler with Flange Frame and 2 Screw	MC8533-6201

**Important Notice :** This data sheet and its contents (the "Information") belong to the members of the Premier Farnell group of companies (the "Group") or are licensed to it. No licence is granted for the use of it other than for information purposes in connection with the products to which it relates. No licence of any intellectual property rights is granted. The Information is subject to change without notice and replaces all data sheets previously supplied. The Information supplied is believed to be accurate but the Group assumes no responsibility for its accuracy or completeness, any error in or omission from it or for any use made of it. Users of this data sheet should check for themselves the Information and the suitability of the products for their purpose and not make any assumptions based on information included or omitted. Liability for loss or damage resulting from any reliance on the Information or use of it (including liability resulting from negligence or where the Group was aware of the possibility of such loss or damage arising) is excluded. This will not operate to limit or restrict the Group's liability for death or personal injury resulting from its negligence. Multicomp is the registered trademark of the Group. © Premier Farnell plc 2012.