

7T Series

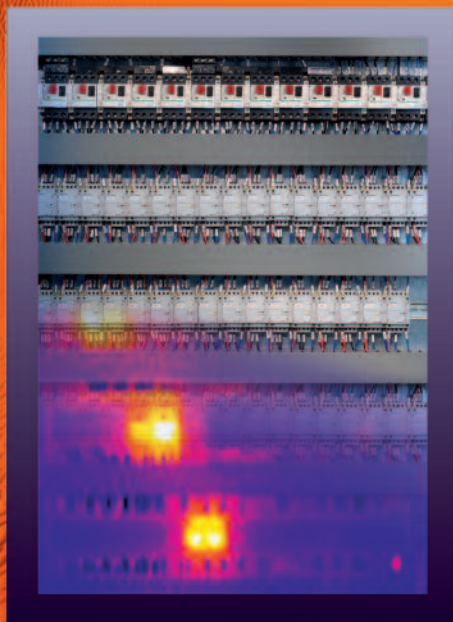
www.finder-us.com



finder®

The power in relays and timers since 1954

# REPORT



## 7T Series - Panel Thermostat

Maintaining constant temperatures in control panels and enclosures, the 7T panel thermostat suits the needs of both simple and sophisticated heating and ventilation systems with dedicated heating and ventilation versions. Helping to improve component reliability and preserve instrumentation accuracy through enhanced temperature setting and control, the 7T provides energy conscious peace of mind for valuable equipment.

**FINDER** products have a wide range of quality approvals with great switching performance. Compliant with the CE directive, IEC standards and the RoHS directive.



ISO 9001:2008

Finder S.p.A.



ISO 14001:2004



# 7T Series

www.finder-us.com

Finder Relays has introduced its newest products for temperature control with the 7T Series. With the RED or BLUE setting dials to clearly identify the heating and ventilation variants while maintaining constant temperatures in control panels and enclosures, ensuring easy installation and usage in a compact panel design.

## Thermostats for Control Panels and Enclosures

- Increases reliability and performance while protecting components
- Small, compact, ultraslim, 17.5mm (0.68in) wide - saving panel space
- Snap action thermostatic Bimetal sensor
- Positive switching action and long electrical life (100,000 cycles)
- 35mm rail (EN 60715) mount
- IP20 Rating
- Wide temperature range setting for numerous environments  
0°C (32°F) and 60°C (140°F) or -20°C (-4°F) and 40°C (104°F)
- Thermostats output contact is rated 250VAC, 10A, enabling them to directly switch heater or fan loads up to 2500VA AC1 and 250VAC AC15
- Dual marking for °C & °F

**UL**  
UL File E337851

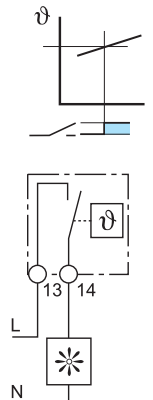
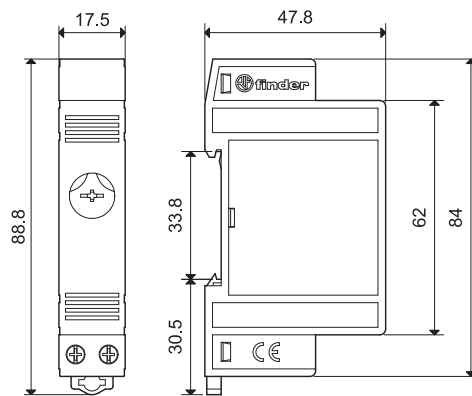
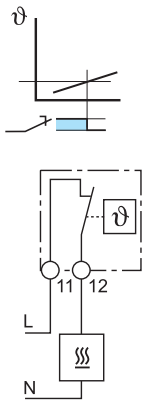
## Heating control

Should the panel temperature fall below the (minimum) set temperature then the contact will close to call for heat. The contact will open when this set temperature is exceeded.

## Ventilation control

Should the panel temperature exceed the (maximum) set temperature then the contact will close to call for cooling. The contact will open when the temperature falls below this set temperature.

## 10A output contact



## Easy set temperature dial

### Heating: Red Dial Temperature ranges

7T.81 .0.000.2401 / -20°C (-4°F) to +40°C (104°F)

7T.81 .0.000.2403 / 0°C (32°F) to +60°C (140°F)

### Ventilation: Blue Dial Temperature ranges

7T.81 .0.000.2301 / -20°C (-4°F) to +40°C (104°F)

7T.81 .0.000.2303 / 0°C (32°F) to +60°C (140°F)

**FINDER RELAYS, INC.**  
4191 Capital View Drive  
Suwanee, GA 30024

Phone: (770) 271-4431  
Fax: (770) 271-7530  
Email: sales@finder-us.com

Your authorized Finder Distributor: