

# SBS 1.1-COMPLIANT GAS GAUGE and PROTECTION ENABLED WITH IMPEDANCE TRACK™

 Check for Samples: [bq20z95](#)

## FEATURES

- **Next Generation Patented Impedance Track™ Technology Accurately Measures Available Charge in Li-Ion and Li-Polymer Batteries**
  - Better Than 1% Error Over Lifetime of the Battery
- **Supports the Smart Battery Specification SBS V1.1**
- **Flexible Configuration for 2-Series to 4-Series Li-Ion and Li-Polymer Cells**
- **Powerful 8-Bit RISC CPU With Ultra-Low Power Modes**
- **Full Array of Programmable Protection Features**
  - Voltage, Current, and Temperature
- **Supports SHA-1 Authentication**
- **Complete Battery Protection and Gas Gauge Solution in One Package**
- **Small 44-Pin TSSOP (DBT) Package**

## APPLICATIONS

- **Notebook PCs**
- **Medical and Test Equipment**
- **Portable Instrumentation**

## DESCRIPTION

The bq20z95 SBS-compliant gas gauge and protection IC is a single IC solution designed for battery-pack or in-system installation. The bq20z95 measures and maintains an accurate record of available charge in Li-Ion or Li-Polymer batteries using its integrated high-performance analog peripherals, monitors capacity change, battery impedance, open-circuit voltage, and other critical parameters of the battery pack as well and reports the information to the system host controller over a serial-communication bus. Together with the integrated analog front-end (AFE) short-circuit and overload protection, the bq20z95 maximizes functionality and safety while minimizing external component count, cost, and size in smart battery circuits.

The implemented Impedance Track™ gas gauging technology continuously analyzes the battery impedance, resulting in superior gas-gauging accuracy. This enables remaining capacity to be calculated with discharge rate, temperature, and cell aging all accounted for during each stage of every cycle with high accuracy.

**Table 1. AVAILABLE OPTIONS**

T <sub>A</sub>	PACKAGE <sup>(1)</sup>	
	44-PIN TSSOP (DBT) Tube	44-PIN TSSOP (DBT) Tape and Reel
–40°C to 85°C	bq20z95DBT <sup>(2)</sup>	bq20z95DBTR <sup>(3)</sup>

(1) For the most current package and ordering information, see the Package Option Addendum at the end of this document, or see the TI website at [www.ti.com](http://www.ti.com).

(2) A single tube quantity is 50 units.

(3) A single reel quantity is 2000 units.



Please be aware that an important notice concerning availability, standard warranty, and use in critical applications of Texas Instruments semiconductor products and disclaimers thereto appears at the end of this data sheet.

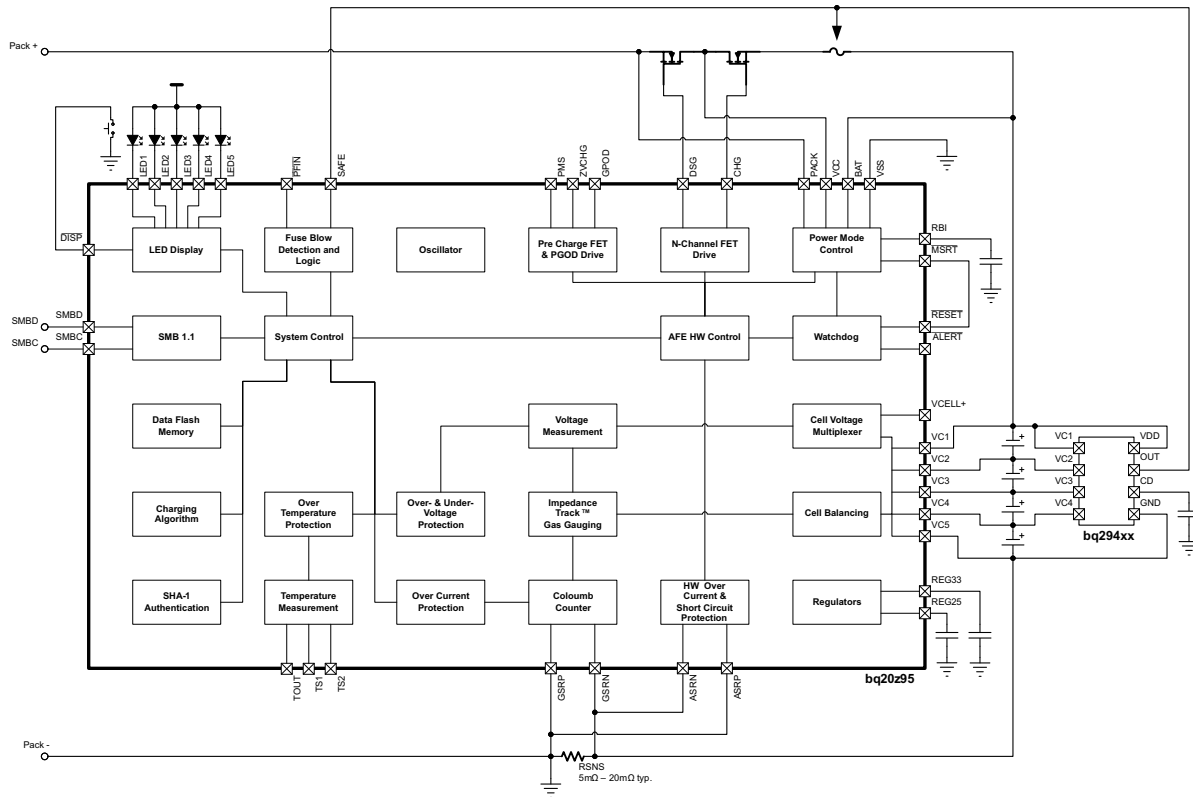
Impedance Track is a trademark of Texas Instruments.



This integrated circuit can be damaged by ESD. Texas Instruments recommends that all integrated circuits be handled with appropriate precautions. Failure to observe proper handling and installation procedures can cause damage.

ESD damage can range from subtle performance degradation to complete device failure. Precision integrated circuits may be more susceptible to damage because very small parametric changes could cause the device not to meet its published specifications.

### SYSTEM PARTITIONING DIAGRAM



**bq20z95  
DBT Package  
(TOP VIEW)**

DSG	1	44	CHG
PACK	2	43	BAT
VCC	3	42	VC1
ZVCHG	4	41	VC2
GPOD	5	40	VC3
PMS	6	39	VC4
VSS	7	38	VC5
REG33	8	37	ASRP
TOUT	9	36	ASRN
VCELL+	10	35	RESET
ALERT	11	34	VSS
NC	12	33	RBI
TS1	13	32	REG25
TS2	14	31	VSS
PRES	15	30	MRST
PFIN	16	29	GSRN
SAFE	17	28	GSRP
SMBD	18	27	LED5
NC	19	26	LED4
SMBC	20	25	LED3
DISP	21	24	LED2
VSS	22	23	LED1

**TERMINAL FUNCTIONS**

TERMINAL		I/O <sup>(1)</sup>	DESCRIPTION
NO.	NAME		
1	DSG	O	High-side N-chan discharge FET gate drive
2	PACK	IA, P	Battery pack input voltage sense input. It also serves as device wake up when device is in SHUTDOWN mode.
3	VCC	P	Positive device supply input. Connect to the center connection of the CHG FET and DSG FET to ensure device supply either from battery stack or battery pack input.
4	ZVCHG	O	P-chan pre-charge FET gate drive
5	GPOD	OD	High voltage general purpose open drain output. Can be configured to be used in pre-charge condition.
6	PMS	I	PRE-CHARGE mode setting input. Connect to PACK to enable 0-V pre-charge using charge FET connected at CHG pin. Connect to VSS to disable 0-V pre-charge using charge FET connected at CHG pin.
7	VSS	P	Negative device power supply input. Connect all VSS pins together for operation of device.
8	REG33	P	3.3-V regulator output. Connect at least a 2.2- $\mu$ F capacitor to REG33 and VSS.
9	TOUT	P	Thermistor bias supply output
10	VCELL+	—	Internal cell voltage multiplexer and amplifier output. Connect a 0.1- $\mu$ F capacitor to VCELL+ and VSS.
11	$\overline{\text{ALERT}}$	I/OD	Alert output. In case of short circuit condition, overload condition and watchdog time out this pin will be triggered.
12	NC	—	Not connected
13	TS1	IA	Temperature sensor 1 input
14	TS2	IA	Temperature sensor 2 input
15	$\overline{\text{PRES}}$	I/OD	System/Host present input
16	$\overline{\text{PFIN}}$	I/OD	Fuse blow detection input
17	SAFE	I/OD	Blow fuse signal output
18	SMBD	I/OD	SMBus data line
19	NC	—	Not connected
20	SMBC	I/OD	SMBus clock line
21	$\overline{\text{DISP}}$	I/OD	Display enable input
22	VSS	P	Negative device power supply input. Connect all VSS pins together for operation of device.
23	LED1	I	LED 1 current sink input
24	LED2	I	LED 2 current sink input
25	LED3	I	LED 3 current sink input
26	LED4	I	LED 4 current sink input
27	LED5	I	LED 5 current sink input
28	GSRP	IA	Coulomb counter differential input. Connect to one side of the sense resistor.
29	GSRN	IA	Coulomb counter differential input. Connect to one side of the sense resistor.
30	$\overline{\text{MRST}}$	I	Reset input for internal CPU core. Connect to $\overline{\text{RESET}}$ for correct operation of device.
31	VSS	P	Negative device power supply input. Connect all VSS pins together for operation of device.
32	REG25	P	2.5-V regulator output. Connect at least a 1- $\mu$ F capacitor to REG25 and VSS.
33	RBI	P	RAM backup input. Connect a capacitor to this pin and VSS to protect loss of RAM data in case of short circuit condition.
34	VSS	P	Negative device power supply input. Connect all VSS pins together for operation of device.
35	$\overline{\text{RESET}}$	O	Reset output. Connect to $\overline{\text{MRST}}$ .
36	ASRN	IA	Short circuit and overload detection differential input. Connect to sense resistor.
37	ASRP	IA	Short circuit and overload detection differential input. Connect to sense resistor.
38	VC5	IA, P	Cell voltage sense input and cell balancing input for the negative voltage of the bottom cell in cell stack.
39	VC4	IA, P	Cell voltage sense input and cell balancing input for the positive voltage of the bottom cell and the negative voltage of the second lowest cell in cell stack.

(1) I = Input, IA = Analog input, I/O = Input/output, I/OD = Input/Open-drain output, O = Output, OA = Analog output, P = Power

**TERMINAL FUNCTIONS (continued)**

TERMINAL		I/O <sup>(1)</sup>	DESCRIPTION
NO.	NAME		
40	VC3	IA, P	Cell voltage sense input and cell balancing input for the positive voltage of the second lowest cell in cell stack and the negative voltage of the second highest cell in 4-series cell applications.
41	VC2	IA, P	Cell voltage sense input and cell balancing input for the positive voltage of the second highest cell and the negative voltage of the highest cell in 4 cell applications. Connect to VC3 in 2-cell stack applications.
42	VC1	IA, P	Cell voltage sense input and cell balancing input for the positive voltage of the highest cell in cell stack in 4-cell applications. Connect to VC2 in 3- or 2-series cell applications.
43	BAT	I, P	Battery stack voltage sense input
44	CHG	O	High side N-chan charge FET gate drive

**ABSOLUTE MAXIMUM RATINGS**Over Operating Free-Air Temperature (unless otherwise noted) <sup>(1)</sup>

DESCRIPTION		PIN	UNIT
V <sub>SS</sub>	Supply voltage range	VBAT, VCC	–0.3 V to 34 V
		PACK, PMS	–0.3 V to 34 V
		VC(n)-VC(n+1); n = 1, 2, 3, 4	–0.3 V to 8.5 V
		VC1, VC2, VC3, VC4	–0.3 V to 34 V
		VC5	–0.3 V to 1 V
V <sub>IN</sub>	Input voltage range	PFIN, SMBD, SMBC, LED1, LED2, LED3, LED4, LED5, DISP	–0.3 V to 6 V
		TS1, TS2, SAFE, VCELL+, PRES, ALERT	–0.3 V to V <sub>(REG25)</sub> + 0.3 V
		MRST, GSRN, GSRP, RBI	–0.3 V to V <sub>(REG25)</sub> + 0.3 V
		ASRN, ASRP	–1 V to 1 V
V <sub>OUT</sub>	Output voltage range	DSG, CHG, GPOD	–0.3 V to 34 V
		ZVCHG	–0.3 V to V <sub>(BAT)</sub>
		TOUT, ALERT, REG33	–0.3 V to 6 V
		RESET	–0.3 V to 7 V
		REG25	–0.3 V to 2.75 V
I <sub>SS</sub>	Maximum combined sink current for input pins	PRES, PFIN, SMBD, SMBC, LED5, LED4, LED3, LED2, LED1	50 mA
T <sub>A</sub>	Operating free-air temperature range		–40°C to 85°C
T <sub>F</sub>	Functional temperature		–40°C to 100°C
T <sub>stg</sub>	Storage temperature range		–65°C to 150°C

(1) Stresses beyond those listed under *absolute maximum ratings* may cause permanent damage to the device. These are stress ratings only, and functional operation of the device at these or any other conditions beyond those indicated under *recommended operating conditions* is not implied. Exposure to absolute-maximum-rated conditions for extended periods may affect device reliability.

## RECOMMENDED OPERATING CONDITIONS

over operating free-air temperature range (unless otherwise noted)

PARAMETER		PIN	MIN	NOM	MAX	UNIT
V <sub>SS</sub>	Supply voltage	VCC, VBAT	4.5		25	V
V <sub>(STARTUP)</sub>	Minimum startup voltage	VCC, BAT, PACK	5.5			V
V <sub>IN</sub>	Input Voltage Range	VC(n) – VC(n+1); n = 1,2,3,4	0		5	V
		VC1, VC2, VC3, VC4	0		V <sub>SUP</sub>	V
		VC5	0		0.5	V
		ASRN, ASRP	-0.5		0.5	V
		PACK, PMS	0		25	V
V <sub>(GPOD)</sub>	Output Voltage Range	GPOD	0		25	V
A <sub>(GPOD)</sub>	Drain Current <sup>(1)</sup>	GPOD			1	mA
C <sub>(REG25)</sub>	2.5-V LDO Capacitor	REG25	1			μF
C <sub>(REG33)</sub>	3.3-V LDO Capacitor	REG33	2.2			μF
C <sub>(VCELL+)</sub>	Cell Voltage Output Capacitor	VCELL+	0.1			μF
C <sub>(PACK)</sub>	PACK input block resistor <sup>(2)</sup>	PACK	1			kΩ

(1) Use an external resistor to limit the current to GPOD to 1mA in high voltage application.

(2) Use an external resistor to limit the inrush current PACK pin required.

## ELECTRICAL CHARACTERISTICS

 over operating free-air temperature range (unless otherwise noted), T<sub>A</sub> = -40°C to 85°C, V<sub>(REG25)</sub> = 2.41 V to 2.59 V, V<sub>(BAT)</sub> = 14 V, C<sub>(REG25)</sub> = 1 μF, C<sub>(REG33)</sub> = 2.2 μF; typical values at T<sub>A</sub> = 25°C (unless otherwise noted)

PARAMETER		TEST CONDITIONS	MIN	TYP	MAX	UNIT
<b>SUPPLY CURRENT</b>						
I <sub>(NORMAL)</sub>	Firmware running			550		μA
I <sub>(SLEEP)</sub>	SLEEP Mode	CHG FET on; DSG FET on		124		μA
		CHG FET off; DSG FET on		90		μA
		CHG FET off; DSG FET off		52		μA
I <sub>(SHUTDOWN)</sub>	SHUTDOWN Mode		0.1	1		μA
<b>SHUTDOWN WAKE; T<sub>A</sub> = 25°C (unless otherwise noted)</b>						
I <sub>(PACK)</sub>	Shutdown exit at V <sub>STARTUP</sub> threshold				1	μA
<b>SRx WAKE FROM SLEEP; T<sub>A</sub> = 25°C (unless otherwise noted)</b>						
V <sub>(WAKE)</sub>	Positive or negative wake threshold with 1.00 mV, 2.25 mV, 4.5 mV and 9 mV programmable options		1.25		10	mV
V <sub>(WAKE_ACR)</sub>	Accuracy of V <sub>(WAKE)</sub>	V <sub>(WAKE)</sub> = 1 mV; I <sub>(WAKE)</sub> = 0, RSNS1 = 0, RSNS0 = 1	-0.7		0.7	mV
		V <sub>(WAKE)</sub> = 2.25 mV; I <sub>(WAKE)</sub> = 1, RSNS1 = 0, RSNS0 = 1; I <sub>(WAKE)</sub> = 0, RSNS1 = 1, RSNS0 = 0	-0.8		0.8	
		V <sub>(WAKE)</sub> = 4.5 mV; I <sub>(WAKE)</sub> = 1, RSNS1 = 1, RSNS0 = 1; I <sub>(WAKE)</sub> = 0, RSNS1 = 1, RSNS0 = 0	-1.0		1.0	
		V <sub>(WAKE)</sub> = 9 mV; I <sub>(WAKE)</sub> = 1, RSNS1 = 1, RSNS0 = 1	-1.4		1.4	
V <sub>(WAKE_TCO)</sub>	Temperature drift of V <sub>(WAKE)</sub> accuracy			0.5		%/°C
t <sub>(WAKE)</sub>	Time from application of current and wake of bq20z95			1	10	ms
<b>POWER-ON RESET</b>						
V <sub>IT-</sub>	Negative-going voltage input	Voltage at REG25 pin	1.70	1.80	1.90	V
V <sub>hys</sub>	Hysteresis	V <sub>IT+</sub> – V <sub>IT-</sub>	50	150	250	mV
t <sub>RST</sub>	RESET active low time	Active low time after power up or watchdog reset	100	250	560	μs
<b>WATCHDOG TIMER</b>						
t <sub>WDTINT</sub>	Watchdog start up detect time		250	500	1000	ms

## ELECTRICAL CHARACTERISTICS (continued)

over operating free-air temperature range (unless otherwise noted),  $T_A = -40^\circ\text{C}$  to  $85^\circ\text{C}$ ,  $V_{(\text{REG25})} = 2.41\text{ V}$  to  $2.59\text{ V}$ ,  $V_{(\text{BAT})} = 14\text{ V}$ ,  $C_{(\text{REG25})} = 1\text{ }\mu\text{F}$ ,  $C_{(\text{REG33})} = 2.2\text{ }\mu\text{F}$ ; typical values at  $T_A = 25^\circ\text{C}$  (unless otherwise noted)

PARAMETER		TEST CONDITIONS	MIN	TYP	MAX	UNIT
$t_{\text{WDWT}}$	Watchdog detect time		50	100	150	$\mu\text{s}$
<b>2.5V LDO; <math>I_{(\text{REG33OUT})} = 0\text{ mA}</math>; <math>T_A = 25^\circ\text{C}</math> (unless otherwise noted)</b>						
$V_{(\text{REG25})}$	Regulator output voltage	$4.5 < \text{VCC}$ or $\text{BAT} < 25\text{ V}$ ; $I_{(\text{REG25OUT})} \leq 16\text{ mA}$ ; $T_A = -40^\circ\text{C}$ to $100^\circ\text{C}$	2.41	2.5	2.59	V
$\Delta V_{(\text{REG25TEMP})}$	Regulator output change with temperature	$I_{(\text{REG25OUT})} = 2\text{ mA}$ ; $T_A = -40^\circ\text{C}$ to $100^\circ\text{C}$		$\pm 0.2$		%
$\Delta V_{(\text{REG25LINE})}$	Line regulation	$5.4 < \text{VCC}$ or $\text{BAT} < 25\text{ V}$ ; $I_{(\text{REG25OUT})} = 2\text{ mA}$		3	10	mV
$\Delta V_{(\text{REG25LOAD})}$	Load Regulation	$0.2\text{ mA} \leq I_{(\text{REG25OUT})} \leq 2\text{ mA}$ $0.2\text{ mA} \leq I_{(\text{REG25OUT})} \leq 16\text{ mA}$		7 25	25 50	mV
$I_{(\text{REG25MAX})}$	Current Limit	Drawing current until REG25 = 2 V to 0 V	5	40	75	mA
<b>3.3V LDO; <math>I_{(\text{REG25OUT})} = 0\text{ mA}</math>; <math>T_A = 25^\circ\text{C}</math> (unless otherwise noted)</b>						
$V_{(\text{REG33})}$	Regulator output voltage	$4.5 < \text{VCC}$ or $\text{BAT} < 25\text{ V}$ ; $I_{(\text{REG33OUT})} \leq 25\text{ mA}$ ; $T_A = -40^\circ\text{C}$ to $100^\circ\text{C}$	3	3.3	3.6	V
$\Delta V_{(\text{REG33TEMP})}$	Regulator output change with temperature	$I_{(\text{REG33OUT})} = 2\text{ mA}$ ; $T_A = -40^\circ\text{C}$ to $100^\circ\text{C}$		$\pm 0.2$		%
$\Delta V_{(\text{REG33LINE})}$	Line regulation	$5.4 < \text{VCC}$ or $\text{BAT} < 25\text{ V}$ ; $I_{(\text{REG33OUT})} = 2\text{ mA}$		3	10	mV
$\Delta V_{(\text{REG33LOAD})}$	Load Regulation	$0.2\text{ mA} \leq I_{(\text{REG33OUT})} \leq 2\text{ mA}$ $0.2\text{ mA} \leq I_{(\text{REG33OUT})} \leq 25\text{ mA}$		7 40	17 100	mV
$I_{(\text{REG33MAX})}$	Current Limit	Drawing current until REG33 = 3 V Short REG33 to VSS, REG33 = 0 V	25 12	100	145 65	mA
<b>THERMISTOR DRIVE</b>						
$V_{(\text{TOUT})}$	Output voltage	$I_{(\text{TOUT})} = 0\text{ mA}$ ; $T_A = 25^\circ\text{C}$		$V_{(\text{REG25})}$		V
$R_{\text{DS(on)}}$	TOUT pass element resistance	$I_{(\text{TOUT})} = 1\text{ mA}$ ; $R_{\text{DS(on)}} = (V_{(\text{REG25})} - V_{(\text{TOUT})})/1\text{ mA}$ ; $T_A = -40^\circ\text{C}$ to $100^\circ\text{C}$		50	100	$\Omega$
<b>VCELL+ HIGH VOLTAGE TRANSLATION</b>						
$V_{(\text{VCELL+OUT})}$	Translation output	$\text{VC}(n) - \text{VC}(n+1) = 0\text{ V}$ ; $T_A = -40^\circ\text{C}$ to $100^\circ\text{C}$	0.950	0.975	1	V
$V_{(\text{VCELL+REF})}$		$\text{VC}(n) - \text{VC}(n+1) = 4.5\text{ V}$ ; $T_A = -40^\circ\text{C}$ to $100^\circ\text{C}$	0.275	0.3	0.375	
$V_{(\text{VCELL+PACK})}$		internal AFE reference voltage; $T_A = -40^\circ\text{C}$ to $100^\circ\text{C}$	0.965	0.975	0.985	
$V_{(\text{VCELL+BAT})}$		Voltage at PACK pin; $T_A = -40^\circ\text{C}$ to $100^\circ\text{C}$	$\frac{0.98 \times V_{(\text{PACK})/1}}{8}$	$\frac{V_{(\text{PACK})/1}}{8}$	$\frac{1.02 \times V_{(\text{PACK})/1}}{8}$	
		Voltage at BAT pin; $T_A = -40^\circ\text{C}$ to $100^\circ\text{C}$	$\frac{0.98 \times V_{(\text{BAT})/18}}{18}$	$\frac{V_{(\text{BAT})/18}}{18}$	$\frac{1.02 \times V_{(\text{BAT})/18}}{18}$	
$\text{CMMR}$	Common mode rejection ratio	VCELL+	40			dB
K	Cell scale factor	$K = \{\text{VCELL+ output (VC5=0 V; VC4=4.5 V)} - \text{VCELL+ output (VC5=0 V; VC4=0 V)}\}/4.5$	0.147	0.150	0.153	
		$K = \{\text{VCELL+ output (VC2=13.5V; VC1=18 V)} - \text{VCELL+ output (VC5=13.5 V; VC1=13.5 V)}\}/4.5$	0.147	0.150	0.153	
$I_{(\text{VCELL+OUT})}$	Drive Current to VCELL+ capacitor	$\text{VC}(n) - \text{VC}(n+1) = 0\text{ V}$ ; $\text{VCELL+} = 0\text{ V}$ ; $T_A = -40^\circ\text{C}$ to $100^\circ\text{C}$	12	18		$\mu\text{A}$
$V_{(\text{VCELL+O})}$	CELL offset error	CELL output ( $\text{VC2} = \text{VC1} = 18\text{ V}$ ) – CELL output ( $\text{VC2} = \text{VC1} = 0\text{ V}$ )	-18	-1	18	mV
$I_{\text{VCI}L}$	VC(n) pin leakage current	VC1, VC2, VC3, VC4, VC5 = 3 V	-1	0.01	1	$\mu\text{A}$
<b>CELL BALANCING</b>						
$R_{\text{BAL}}$	Internal cell balancing FET resistance	$R_{\text{DS(on)}}$ for internal FET switch at $V_{\text{DS}} = 2\text{ V}$ ; $T_A = 25^\circ\text{C}$	200	400	600	$\Omega$

**ELECTRICAL CHARACTERISTICS (continued)**

over operating free-air temperature range (unless otherwise noted),  $T_A = -40^{\circ}\text{C}$  to  $85^{\circ}\text{C}$ ,  $V_{(\text{REG25})} = 2.41\text{ V}$  to  $2.59\text{ V}$ ,  $V_{(\text{BAT})} = 14\text{ V}$ ,  $C_{(\text{REG25})} = 1\text{ }\mu\text{F}$ ,  $C_{(\text{REG33})} = 2.2\text{ }\mu\text{F}$ ; typical values at  $T_A = 25^{\circ}\text{C}$  (unless otherwise noted)

PARAMETER		TEST CONDITIONS	MIN	TYP	MAX	UNIT
<b>HARDWARE SHORT CIRCUIT AND OVERLOAD PROTECTION; <math>T_A = 25^{\circ}\text{C}</math> (unless otherwise noted)</b>						
$V_{(\text{OL})}$	OL detection threshold voltage accuracy	$V_{(\text{OL})} = 25\text{ mV (min)}$	15	25	35	mV
		$V_{(\text{OL})} = 100\text{ mV}$ ; $\text{RSNS} = 0, 1$	90	100	110	
		$V_{(\text{OL})} = 205\text{ mV (max)}$	185	205	225	
$V_{(\text{SCC})}$	SCC detection threshold voltage accuracy	$V_{(\text{SCC})} = 50\text{ mV (min)}$	30	50	70	mV
		$V_{(\text{SCC})} = 200\text{ mV}$ ; $\text{RSNS} = 0, 1$	180	200	220	
		$V_{(\text{SCC})} = 475\text{ mV (max)}$	428	475	523	
$V_{(\text{SCD})}$	SCD detection threshold voltage accuracy	$V_{(\text{SCD})} = -50\text{ mV (min)}$	-30	-50	-70	mV
		$V_{(\text{SCD})} = -200\text{ mV}$ ; $\text{RSNS} = 0, 1$	-180	-200	-220	
		$V_{(\text{SCD})} = -475\text{ mV (max)}$	-428	-475	-523	
$t_{\text{da}}$	Delay time accuracy		±15.25			µs
$t_{\text{pd}}$	Protection circuit propagation delay		50			µs
<b>FET DRIVE CIRCUIT; <math>T_A = 25^{\circ}\text{C}</math> (unless otherwise noted)</b>						
$V_{(\text{DSGON})}$	DSG pin output on voltage	$V_{(\text{DSGON})} = V_{(\text{DSG})} - V_{(\text{PACK})}$ ; $V_{(\text{GS})} = 10\text{ M}\Omega$ ; DSG and CHG on; $T_A = -40^{\circ}\text{C}$ to $100^{\circ}\text{C}$	8	12	16	V
$V_{(\text{CHGON})}$	CHG pin output on voltage	$V_{(\text{CHGON})} = V_{(\text{CHG})} - V_{(\text{BAT})}$ ; $V_{(\text{GS})} = 10\text{ M}\Omega$ ; DSG and CHG on; $T_A = -40^{\circ}\text{C}$ to $100^{\circ}\text{C}$	8	12	16	V
$V_{(\text{DSGOFF})}$	DSG pin output off voltage	$V_{(\text{DSGOFF})} = V_{(\text{DSG})} - V_{(\text{PACK})}$			0.2	V
$V_{(\text{CHGOFF})}$	CHG pin output off voltage	$V_{(\text{CHGOFF})} = V_{(\text{CHG})} - V_{(\text{BAT})}$			0.2	V
$t_r$	Rise time	$C_L = 4700\text{ pF}$ ; $V_{(\text{PACK})} \leq \text{DSG} \leq V_{(\text{PACK})} + 4\text{ V}$		400	1000	µs
		$C_L = 4700\text{ pF}$ ; $V_{(\text{BAT})} \leq \text{CHG} \leq V_{(\text{BAT})} + 4\text{ V}$		400	1000	
$t_f$	Fall time	$C_L = 4700\text{ pF}$ ; $V_{(\text{PACK})} + V_{(\text{DSGON})} \leq \text{DSG} \leq V_{(\text{PACK})} + 1\text{ V}$		40	200	µs
		$C_L = 4700\text{ pF}$ ; $V_{(\text{BAT})} + V_{(\text{CHGON})} \leq \text{CHG} \leq V_{(\text{BAT})} + 1\text{ V}$		40	200	
$V_{(\text{ZVCHG})}$	ZVCHG clamp voltage	$\text{BAT} = 4.5\text{ V}$	3.3	3.5	3.7	V
<b>LOGIC; <math>T_A = -40^{\circ}\text{C}</math> to <math>100^{\circ}\text{C}</math> (unless otherwise noted)</b>						
$R_{(\text{PULLUP})}$	Internal pullup resistance	ALERT	60	100	200	kΩ
		RESET	1	3	6	
$V_{\text{OL}}$	Logic low output voltage level	ALERT			0.2	V
		RESET; $V_{(\text{BAT})} = 7\text{ V}$ ; $V_{(\text{REG25})} = 1.5\text{ V}$ ; $I_{(\text{RESET})} = 200\text{ }\mu\text{A}$			0.4	
		GPOD; $I_{(\text{GPOD})} = 50\text{ }\mu\text{A}$			0.6	
<b>LOGIC SMB, SMBD, PFIN, PRES, SAFE, ALERT</b>						
$V_{\text{IH}}$	High-level input voltage		2.0			V
$V_{\text{IL}}$	Low-level input voltage				0.8	V
$V_{\text{OH}}$	Output voltage high <sup>(1)</sup>	$I_L = -0.5\text{ mA}$		$V_{\text{REG25}} - 0.5$		V
$V_{\text{OL}}$	Low-level output voltage	PRES, PFIN, ALERT, $I_L = 7\text{ mA}$ ;			0.4	V
$C_i$	Input capacitance			5		pF
$I_{(\text{SAFE})}$	SAFE source currents	SAFE active, $\text{SAFE} = V_{(\text{REG25})} - 0.6\text{ V}$	-3			mA
$I_{\text{kg}(\text{SAFE})}$	SAFE leakage current	SAFE inactive	-0.2		0.2	µA
$I_{\text{kg}}$	Input leakage current				1	µA
<b>ADC<sup>(2)</sup></b>						
	Input voltage range	TS1, TS2, using Internal $V_{\text{ref}}$	-0.2		1	V
	Conversion time			31.5		ms
	Resolution (no missing codes)		16			bits
	Effective resolution		14	15		bits
	Integral nonlinearity				±0.03	%FSR <sup>(3)</sup>

(1) RC[0:7] bus

(2) Unless otherwise specified, the specification limits are valid at all measurement speed modes.

(3) Full-scale reference

## ELECTRICAL CHARACTERISTICS (continued)

over operating free-air temperature range (unless otherwise noted),  $T_A = -40^{\circ}\text{C}$  to  $85^{\circ}\text{C}$ ,  $V_{(\text{REG25})} = 2.41\text{ V}$  to  $2.59\text{ V}$ ,  $V_{(\text{BAT})} = 14\text{ V}$ ,  $C_{(\text{REG25})} = 1\text{ }\mu\text{F}$ ,  $C_{(\text{REG33})} = 2.2\text{ }\mu\text{F}$ ; typical values at  $T_A = 25^{\circ}\text{C}$  (unless otherwise noted)

PARAMETER	TEST CONDITIONS	MIN	TYP	MAX	UNIT
Offset error <sup>(4)</sup>			140	250	$\mu\text{V}$
Offset error drift <sup>(4)</sup>	$T_A = 25^{\circ}\text{C}$ to $85^{\circ}\text{C}$		2.5	18	$\mu\text{V}/^{\circ}\text{C}$
Full-scale error <sup>(5)</sup>			$\pm 0.1\%$	$\pm 0.7\%$	
Full-scale error drift			50		PPM/ $^{\circ}\text{C}$
Effective input resistance <sup>(6)</sup>		8			M $\Omega$
<b>COULOMB COUNTER</b>					
Input voltage range		-0.20		0.20	V
Conversion time	Single conversion		250		ms
Effective resolution	Single conversion	15			bits
Integral nonlinearity	-0.1 V to 0.20 V		$\pm 0.007$	$\pm 0.034$	%FSR
	-0.20 V to -0.1 V		$\pm 0.007$		
Offset error <sup>(7)</sup>	$T_A = 25^{\circ}\text{C}$ to $85^{\circ}\text{C}$		10		$\mu\text{V}$
Offset error drift			0.4	2.45	$\mu\text{V}/^{\circ}\text{C}$
Full-scale error <sup>(8)</sup> <sup>(9)</sup>			$\pm 0.35\%$		
Full-scale error drift			150		PPM/ $^{\circ}\text{C}$
Effective input resistance <sup>(10)</sup>	$T_A = 25^{\circ}\text{C}$ to $85^{\circ}\text{C}$	2.5			M $\Omega$
<b>INTERNAL TEMPERATURE SENSOR</b>					
$V_{(\text{TEMP})}$	Temperature sensor voltage <sup>(11)</sup>		-2.0		mV/ $^{\circ}\text{C}$
<b>VOLTAGE REFERENCE</b>					
	Output voltage	1.215	1.225	1.230	V
	Output voltage drift		65		PPM/ $^{\circ}\text{C}$
<b>HIGH FREQUENCY OSCILLATOR</b>					
$f_{(\text{OSC})}$	Operating frequency		4.194		MHz
$f_{(\text{EIO})}$	Frequency error <sup>(12)</sup> <sup>(13)</sup>		-3%	0.25%	3%
		$T_A = 20^{\circ}\text{C}$ to $70^{\circ}\text{C}$	-2%	0.25%	2%
$t_{(\text{SXO})}$	Start-up time <sup>(14)</sup>		2.5	5	ms
<b>LOW FREQUENCY OSCILLATOR</b>					
$f_{(\text{LOSC})}$	Operating frequency		32.768		kHz
$f_{(\text{LEIO})}$	Frequency error <sup>(13)</sup> <sup>(15)</sup>		-2.5%	0.25%	2.5%
		$T_A = 20^{\circ}\text{C}$ to $70^{\circ}\text{C}$	-1.5%	0.25%	1.5%
$t_{(\text{LSXO})}$	Start-up time <sup>(14)</sup>			500	$\mu\text{s}$

(4) Post-calibration performance and no I/O changes during conversion with SRN as the ground reference

(5) Uncalibrated performance. This gain error can be eliminated with external calibration.

(6) The A/D input is a switched-capacitor input. Since the input is switched, the effective input resistance is a measure of the average resistance.

(7) Post-calibration performance

(8) Reference voltage for the coulomb counter is typically  $V_{\text{ref}}/3.969$  at  $V_{(\text{REG25})} = 2.5\text{ V}$ ,  $T_A = 25^{\circ}\text{C}$ .

(9) Uncalibrated performance. This gain error can be eliminated with external calibration.

(10) The CC input is a switched capacitor input. Since the input is switched, the effective input resistance is a measure of the average resistance.

(11)  $-53.7\text{ LSB}/^{\circ}\text{C}$

(12) The frequency error is measured from 4.194 MHz.

(13) The frequency drift is included and measured from the trimmed frequency at  $V_{(\text{REG25})} = 2.5\text{ V}$ ,  $T_A = 25^{\circ}\text{C}$ .

(14) The startup time is defined as the time it takes for the oscillator output frequency to be  $\pm 3\%$ .

(15) The frequency error is measured from 32.768 kHz.

## DATA FLASH CHARACTERISTICS (Over Recommended Operating Temperature and Supply Voltage)

Typical Values at  $T_A = 25^{\circ}\text{C}$  and  $V_{(\text{REG25})} = 2.5\text{ V}$  (unless otherwise noted)



## DATA FLASH CHARACTERISTICS (Over Recommended Operating Temperature and Supply Voltage) (continued)

 Typical Values at  $T_A = 25^\circ\text{C}$  and  $V_{(\text{REG25})} = 2.5\text{ V}$  (unless otherwise noted)

PARAMETER	TEST CONDITIONS	MIN	TYP	MAX	UNIT
Data retention	See (1)	10			Years
Flash programming write-cycles		20k			Cycles
$t_{(\text{ROWPROG})}$ Row programming time		2			ms
$t_{(\text{MASSERASE})}$ Mass-erase time		200			ms
$t_{(\text{PAGEERASE})}$ Page-erase time		20			ms
$I_{(\text{DDPROG})}$ Flash-write supply current		5 10			mA
$I_{(\text{DDERASE})}$ Flash-erase supply current	5 10			mA	
<b>RAM BACKUP</b>					
$I_{(\text{RB})}$ RB data-retention input current	$V_{(\text{RBI})} > V_{(\text{RBI})\text{MIN}}, V_{\text{REG25}} < V_{\text{IT-}}, T_A = 85^\circ\text{C}$	1000 2500		nA	
	$V_{(\text{RBI})} > V_{(\text{RBI})\text{MIN}}, V_{\text{REG25}} < V_{\text{IT-}}, T_A = 25^\circ\text{C}$	90 220			
$V_{(\text{RB})}$ RB data-retention input voltage <sup>(1)</sup>	1.7			V	

(1) Specified by design. Not production tested.

## SMBUS TIMING CHARACTERISTICS

 $T_A = -40^\circ\text{C}$  to  $85^\circ\text{C}$  Typical Values at  $T_A = 25^\circ\text{C}$  and  $V_{\text{REG25}} = 2.5\text{ V}$  (Unless Otherwise Noted)

PARAMETER	TEST CONDITIONS	MIN	TYP	MAX	UNIT
$f_{(\text{SMB})}$ SMBus operating frequency	SLAVE mode, SMBC 50% duty cycle	10	100		kHz
$f_{(\text{MAS})}$ SMBus master clock frequency	MASTER mode, No clock low slave extend	51.2			kHz
$t_{(\text{BUF})}$ Bus free time between start and stop (see Figure 1)		4.7			$\mu\text{s}$
$t_{(\text{HD:STA})}$ Hold time after (repeated) start (see Figure 1)		4			$\mu\text{s}$
$t_{(\text{SU:STA})}$ Repeated start setup time (see Figure 1)		4.7			$\mu\text{s}$
$t_{(\text{SU:STO})}$ Stop setup time (see Figure 1)		4			$\mu\text{s}$
$t_{(\text{HD:DAT})}$ Data hold time (see Figure 1)	RECEIVE mode	0			ns
	TRANSMIT mode	300			
$t_{(\text{SU:DAT})}$ Data setup time (see Figure 1)		250			ns
$t_{(\text{TIMEOUT})}$ Error signal/detect (see Figure 1)	See (1)	25		35	$\mu\text{s}$
$t_{(\text{LOW})}$ Clock low period (see Figure 1)		4.7			$\mu\text{s}$
$t_{(\text{HIGH})}$ Clock high period (see Figure 1)	See (2)	4		50	$\mu\text{s}$
$t_{(\text{LOW:SEXT})}$ Cumulative clock low slave extend time	See (3)	25			$\mu\text{s}$
$t_{(\text{LOW:MEXT})}$ Cumulative clock low master extend time (see Figure 1)	See (4)	10			$\mu\text{s}$
$t_f$ Clock/data fall time	See (5)	300			ns
$t_r$ Clock/data rise time	See (6)	1000			ns

 (1) The bq20z95 times out when any clock low exceeds  $t_{(\text{TIMEOUT})}$ .

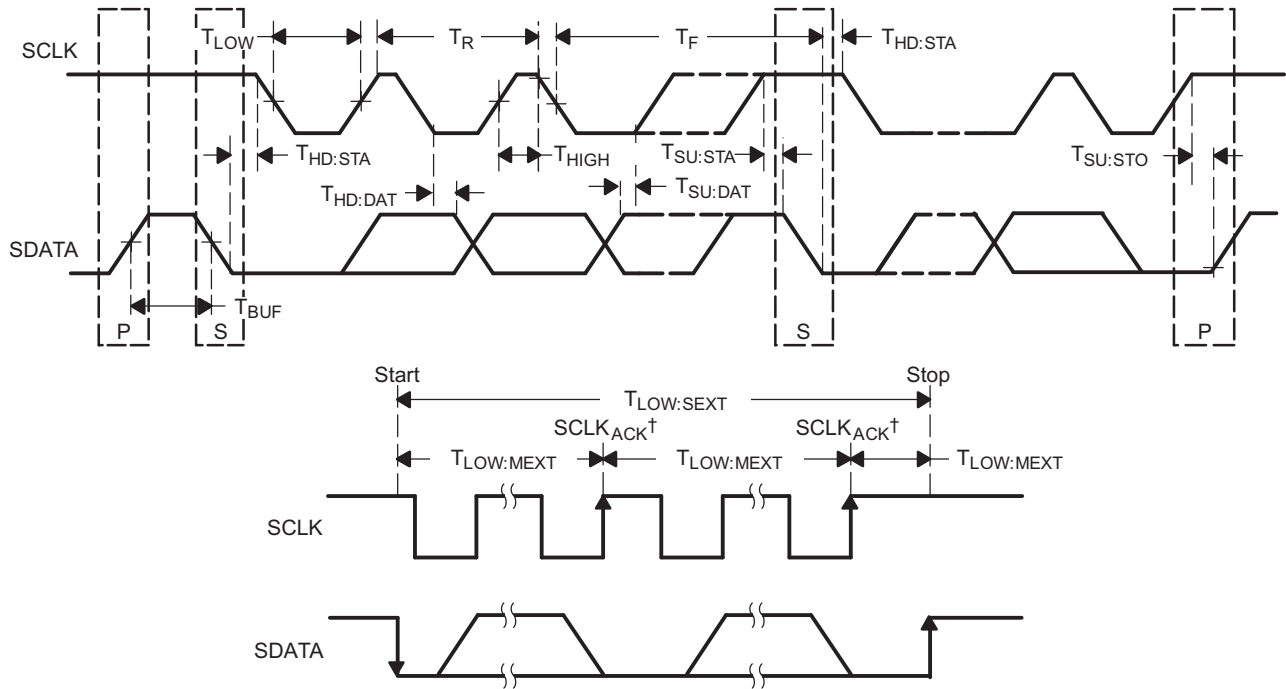
 (2)  $t_{(\text{HIGH})}$ , Max, is the minimum bus idle time. SMBC = SMBD = 1 for  $t > 50\text{ ms}$  causes reset of any transaction involving bq20z95 that is in progress. This specification is valid when the NC\_SMB control bit remains in the default cleared state (CLK[0]=0).

 (3)  $t_{(\text{LOW:SEXT})}$  is the cumulative time a slave device is allowed to extend the clock cycles in one message from initial start to the stop.

 (4)  $t_{(\text{LOW:MEXT})}$  is the cumulative time a master device is allowed to extend the clock cycles in one message from initial start to the stop.

 (5) Rise time  $t_r = \text{VILMAX} - 0.15$  to  $(\text{VIHMIN} + 0.15)$ 

 (6) Fall time  $t_f = 0.9V_{\text{DD}}$  to  $(\text{VILMAX} - 0.15)$



A. SCLK<sub>ACK</sub> is the acknowledge-related clock pulse generated by the master.

**Figure 1. SMBus Timing Diagram**

## FEATURE SET

### Primary (1st Level) Safety Features

The bq20z95 supports a wide range of battery and system protection features that can easily be configured. The primary safety features include:

- Cell over/undervoltage protection
- Charge and discharge overcurrent
- Short circuit
- Charge and discharge overtemperature
- AFE watchdog

### Secondary (2nd Level) Safety Features

The secondary safety features of the bq20z95 can be used to indicate more serious faults via the SAFE (pin 7). This pin can be used to blow an in-line fuse to permanently disable the battery pack from charging or discharging. The secondary safety protection features include:

- Safety overvoltage
- Safety overcurrent in Charge and Discharge
- Safety overtemperature in Charge and Discharge
- Charge FET and 0-V Charge FET fault
- Discharge FET fault
- AFE communication fault

### Charge Control Features

The bq20z95 charge control features include:

- Reports the appropriate charging current needed for constant current charging and the appropriate charging voltage needed for constant voltage charging to a smart charger using SMBus broadcasts.
- Determines the chemical state of charge of each battery cell using Impedance Track and can reduce the charge difference of the battery cells in fully charged state of the battery pack gradually using cell balancing algorithm during charging. This prevents fully charged cells from overcharging and causing excessive degradation and also increases the usable pack energy by preventing premature charge termination
- Supports pre-charging/zero-volt charging
- Support fast charging
- Supports charge inhibit and charge suspend if battery pack temperature is out of temperature range
- Reports charging fault and also indicate charge status via charge and discharge alarms.

### Gas Gauging

The bq20z95 uses the Impedance Track technology to measure and calculate the available charge in battery cells. The achievable accuracy is better than 1% error over the lifetime of the battery and there is no full charge discharge learning cycle required.

See *Theory and Implementation of Impedance Track Battery Fuel-Gauging Algorithm* application note (SLUA364) for further details.

### Authentication

The bq20z95 supports authentication by the host using SHA-1.

## Power Modes

The bq20z95 supports three power modes to reduce power consumption:

- In NORMAL mode, the bq20z95 performs measurements, calculations, protection decisions and data updates in 1-s intervals. Between these intervals, the bq20z95 is in a reduced power stage.
- In SLEEP mode, the bq20z95 performs measurements, calculations, protection decisions, and data updates in adjustable time intervals. Between these intervals, the bq20z95 is in a reduced power stage. The bq20z95 has a wake function that enables exit from SLEEP mode when current flow or failure is detected.
- In SHUTDOWN mode the bq20z95 is completely disabled.

## CONFIGURATION

### Oscillator Function

The bq20z95 fully integrates the system oscillators. Therefore, the bq20z95 requires no external components for this feature.

### System Present Operation

The bq20z95 checks the  $\overline{\text{PRES}}$  pin periodically (1s). If  $\overline{\text{PRES}}$  input is pulled to ground by external system, the bq20z95 detects this as system present.

## BATTERY PARAMETER MEASUREMENTS

The bq20z95 uses an integrating delta-sigma analog-to-digital converter (ADC) for current measurement, and a second delta-sigma ADC for individual cell and battery voltage and temperature measurement.

### Charge and Discharge Counting

The integrating delta-sigma ADC measures the charge/discharge flow of the battery by measuring the voltage drop across a small-value sense resistor between the SR1 and SR2 pins. The integrating ADC measures bipolar signals from  $-0.25\text{ V}$  to  $0.25\text{ V}$ . The bq20z95 detects charge activity when  $V_{\text{SR}} = V_{(\text{SRP})} - V_{(\text{SRN})}$  is positive and discharge activity when  $V_{\text{SR}} = V_{(\text{SRP})} - V_{(\text{SRN})}$  is negative. The bq20z95 continuously integrates the signal over time, using an internal counter. The fundamental rate of the counter is  $0.65\text{ nVh}$ .

### Voltage

The bq20z95 updates the individual series cell voltages at 1-s intervals. The internal ADC of the bq20z95 measures the voltage, and scales and calibrates it appropriately. This data is also used to calculate the impedance of the cell for the Impedance Track gas-gauging.

### Current

The bq20z95 uses the SRP and SRN inputs to measure and calculate the battery charge and discharge current using a  $5\text{-m}\Omega$  to  $20\text{-m}\Omega$  typ. sense resistor.

### Auto Calibration

The bq20z95 provides an auto-calibration feature to cancel the voltage offset error across SRN and SRP for maximum charge measurement accuracy. The bq20z95 performs auto-calibration when the SMBus lines stay low continuously for a minimum of 5 s.

### Temperature

The bq20z95 has an internal temperature sensor and two external temperature sensor inputs TS1 and TS2 used in conjunction with two identical NTC thermistors (default are Semitec 103AT) to sense the battery environmental temperature. The bq20z95 can be configured to use internal or up to two external temperature sensors.

## COMMUNICATIONS

The bq20z95 uses SMBus v1.1 with MASTER mode and package error checking (PEC) options per the SBS specification.

### SMBus On and Off State

The bq20z95 detects an SMBus off state when SMBC and SMBD are logic-low for  $\geq 2$  seconds. Clearing this state requires either SMBC or SMBD to transition high. Within 1 ms, the communication bus is available.

### SBS Commands

**Table 2. SBS COMMANDS**

SBS Cmd	Mode	Name	Format	Size in Bytes	Min Value	Max Value	Default Value	Unit
0x00	R/W	ManufacturerAccess	hex	2	0x0000	0xffff	—	
0x01	R/W	RemainingCapacityAlarm	unsigned int	2	0	65535	—	mAh or 10 mWh
0x02	R/W	RemainingTimeAlarm	unsigned int	2	0	65535	—	min
0x03	R/W	BatteryMode	hex	2	0x0000	0xffff	—	
0x04	R/W	AtRate	signed int	2	-32768	32767	—	mA or 10 mW
0x05	R	AtRateTimeToFull	unsigned int	2	0	65535	—	min
0x06	R	AtRateTimeToEmpty	unsigned int	2	0	65535	—	min
0x07	R	AtRateOK	unsigned int	2	0	65535	—	
0x08	R	Temperature	unsigned int	2	0	65535	—	0.1°K
0x09	R	Voltage	unsigned int	2	0	20000	—	mV
0x0a	R	Current	signed int	2	-32768	32767	—	mA
0x0b	R	AverageCurrent	signed int	2	-32768	32767	—	mA
0x0c	R	MaxError	unsigned int	1	0	100	—	%
0x0d	R	RelativeStateOfCharge	unsigned int	1	0	100	—	%
0x0e	R	AbsoluteStateOfCharge	unsigned int	1	0	100	—	%
0x0f	R/W	RemainingCapacity	unsigned int	2	0	65535	—	mAh or 10 mWh
0x10	R	FullChargeCapacity	unsigned int	2	0	65535	—	mAh or 10 mWh
0x11	R	RunTimeToEmpty	unsigned int	2	0	65535	—	min
0x12	R	AverageTimeToEmpty	unsigned int	2	0	65535	—	min
0x13	R	AverageTimeToFull	unsigned int	2	0	65535	—	min
0x14	R	ChargingCurrent	unsigned int	2	0	65535	—	mA
0x15	R	ChargingVoltage	unsigned int	2	0	65535	—	mV
0x16	R	BatteryStatus	unsigned int	2	0x0000	0xffff	—	
0x17	R/W	CycleCount	unsigned int	2	0	65535	—	
0x18	R/W	DesignCapacity	unsigned int	2	0	65535	—	mAh or 10 mWh
0x19	R/W	DesignVoltage	unsigned int	2	7000	16000	14400	mV
0x1a	R/W	SpecificationInfo	unsigned int	2	0x0000	0xffff	0x0031	
0x1b	R/W	ManufactureDate	unsigned int	2	0	65535	0	
0x1c	R/W	SerialNumber	hex	2	0x0000	0xffff	0x0001	
0x20	R/W	ManufacturerName	String	11+1	—	—	Texas Instruments	ASCII
0x21	R/W	DeviceName	String	7+1	—	—	bq20z95	ASCII
0x22	R/W	DeviceChemistry	String	4+1	—	—	LION	ASCII
0x23	R	ManufacturerData	String	14+1	—	—	—	ASCII

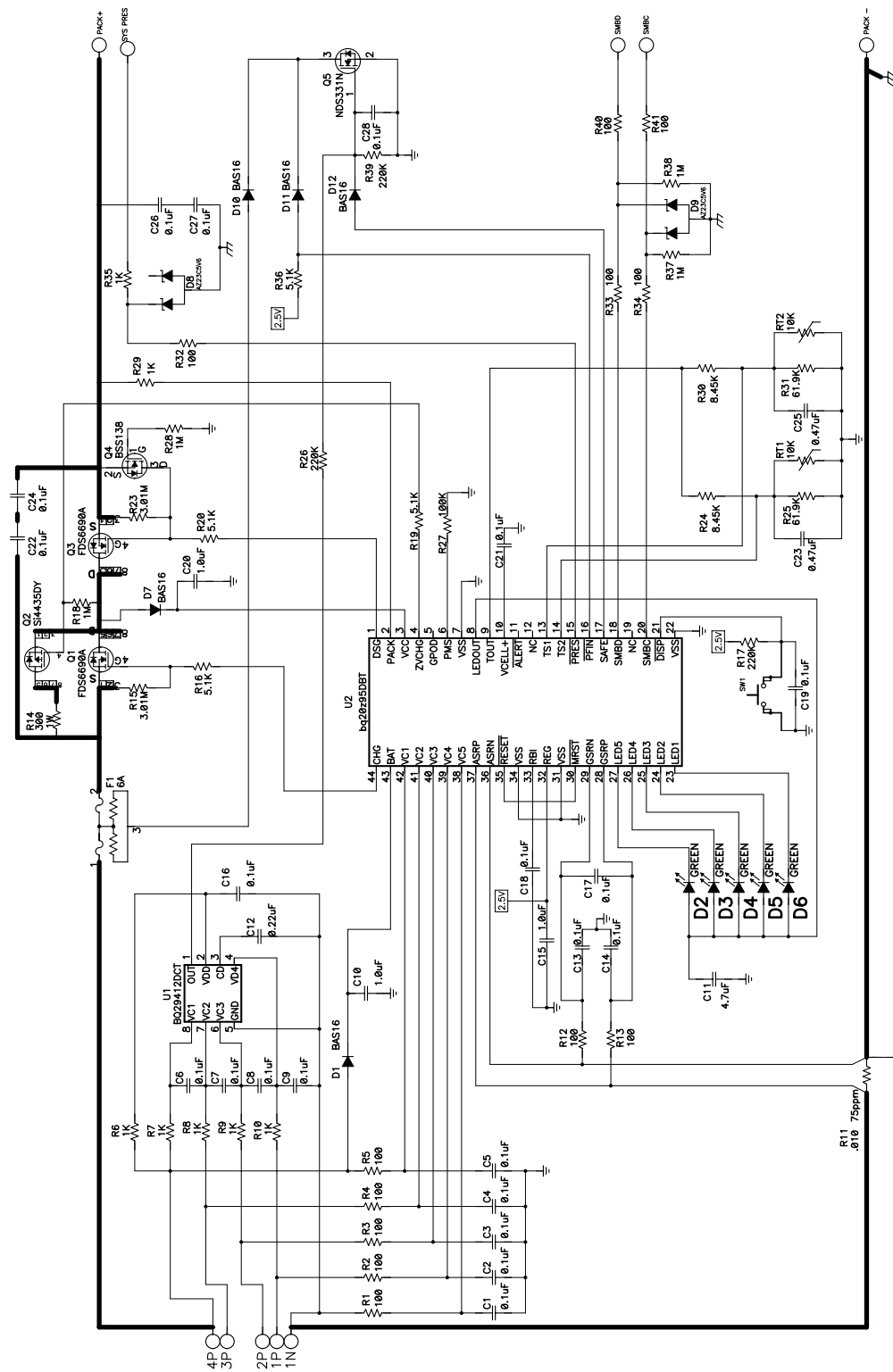
**Table 2. SBS COMMANDS (continued)**

SBS Cmd	Mode	Name	Format	Size in Bytes	Min Value	Max Value	Default Value	Unit
0x2f	R/W	Authenticate	String	20+1	—	—	—	ASCII
0x3c	R	CellVoltage4	unsigned int	2	0	65535	—	mV
0x3d	R	CellVoltage3	unsigned int	2	0	65535	—	mV
0x3e	R	CellVoltage2	unsigned int	2	0	65535	—	mV
0x3f	R	CellVoltage1	unsigned int	2	0	65535	—	mV

**Table 3. EXTENDED SBS COMMANDS**

SBS Cmd	Mode	Name	Format	Size in Bytes	Min Value	Max Value	Default Value	Unit
0x45	R	AFEData	String	11+1	—	—	—	ASCII
0x46	R/W	FETControl	hex	1	0x00	0xff	—	
0x4f	R	StateOfHealth	unsigned int	1	0	100	—	%
0x51	R	SafetyStatus	hex	2	0x0000	0xffff	—	
0x53	R	PFStatus	hex	2	0x0000	0xffff	—	
0x54	R	OperationStatus	hex	2	0x0000	0xffff	—	
0x55	R	ChargingStatus	hex	2	0x0000	0xffff	—	
0x57	R	ResetData	hex	2	0x0000	0xffff	—	
0x5a	R	PackVoltage	unsigned int	2	0	65535	—	mV
0x5d	R	AverageVoltage	unsigned int	2	0	65535	—	mV
0x60	R/W	UnSealKey	hex	4	0x00000000	0xffffffff	—	
0x61	R/W	FullAccessKey	hex	4	0x00000000	0xffffffff	—	
0x62	R/W	PFKey	hex	4	0x00000000	0xffffffff	—	
0x63	R/W	AuthenKey3	hex	4	0x00000000	0xffffffff	—	
0x64	R/W	AuthenKey2	hex	4	0x00000000	0xffffffff	—	
0x65	R/W	AuthenKey1	hex	4	0x00000000	0xffffffff	—	
0x66	R/W	AuthenKey0	hex	4	0x00000000	0xffffffff	—	
0x70	R/W	ManufacturerInfo	String	31+1	—	—	—	
0x71	R/W	SenseResistor	unsigned int	2	0	65535	—	$\mu\Omega$
0x77	R/W	DataFlashSubClassID	hex	2	0x0000	0xffff	—	
0x78	R/W	DataFlashSubClassPage1	hex	32	—	—	—	
0x79	R/W	DataFlashSubClassPage2	hex	32	—	—	—	
0x7a	R/W	DataFlashSubClassPage3	hex	32	—	—	—	
0x7b	R/W	DataFlashSubClassPage4	hex	32	—	—	—	
0x7c	R/W	DataFlashSubClassPage5	hex	32	—	—	—	
0x7d	R/W	DataFlashSubClassPage6	hex	32	—	—	—	
0x7e	R/W	DataFlashSubClassPage7	hex	32	—	—	—	
0x7f	R/W	DataFlashSubClassPage8	hex	32	—	—	—	

Application Schematic



**PACKAGING INFORMATION**

Orderable Device	Status (1)	Package Type	Package Drawing	Pins	Package Qty	Eco Plan (2)	Lead/Ball Finish (6)	MSL Peak Temp (3)	Op Temp (°C)	Device Marking (4/5)	Samples
BQ20Z95DBT	NRND	TSSOP	DBT	44	40	Green (RoHS & no Sb/Br)	CU NIPDAU	Level-2-260C-1 YEAR	-40 to 85	20Z95DBT	
BQ20Z95DBTG4	NRND	TSSOP	DBT	44	40	Green (RoHS & no Sb/Br)	CU NIPDAU	Level-2-260C-1 YEAR	-40 to 85	20Z95DBT	
BQ20Z95DBTR	NRND	TSSOP	DBT	44	2000	Green (RoHS & no Sb/Br)	CU NIPDAU	Level-2-260C-1 YEAR	-40 to 85	20Z95DBT	
BQ20Z95DBTRG4	NRND	TSSOP	DBT	44	2000	Green (RoHS & no Sb/Br)	CU NIPDAU	Level-2-260C-1 YEAR	-40 to 85	20Z95DBT	

(1) The marketing status values are defined as follows:

**ACTIVE:** Product device recommended for new designs.

**LIFEBUY:** TI has announced that the device will be discontinued, and a lifetime-buy period is in effect.

**NRND:** Not recommended for new designs. Device is in production to support existing customers, but TI does not recommend using this part in a new design.

**PREVIEW:** Device has been announced but is not in production. Samples may or may not be available.

**OBSOLETE:** TI has discontinued the production of the device.

(2) Eco Plan - The planned eco-friendly classification: Pb-Free (RoHS), Pb-Free (RoHS Exempt), or Green (RoHS & no Sb/Br) - please check <http://www.ti.com/productcontent> for the latest availability information and additional product content details.

**TBD:** The Pb-Free/Green conversion plan has not been defined.

**Pb-Free (RoHS):** TI's terms "Lead-Free" or "Pb-Free" mean semiconductor products that are compatible with the current RoHS requirements for all 6 substances, including the requirement that lead not exceed 0.1% by weight in homogeneous materials. Where designed to be soldered at high temperatures, TI Pb-Free products are suitable for use in specified lead-free processes.

**Pb-Free (RoHS Exempt):** This component has a RoHS exemption for either 1) lead-based flip-chip solder bumps used between the die and package, or 2) lead-based die adhesive used between the die and leadframe. The component is otherwise considered Pb-Free (RoHS compatible) as defined above.

**Green (RoHS & no Sb/Br):** TI defines "Green" to mean Pb-Free (RoHS compatible), and free of Bromine (Br) and Antimony (Sb) based flame retardants (Br or Sb do not exceed 0.1% by weight in homogeneous material)

(3) MSL, Peak Temp. - The Moisture Sensitivity Level rating according to the JEDEC industry standard classifications, and peak solder temperature.

(4) There may be additional marking, which relates to the logo, the lot trace code information, or the environmental category on the device.

(5) Multiple Device Markings will be inside parentheses. Only one Device Marking contained in parentheses and separated by a "~" will appear on a device. If a line is indented then it is a continuation of the previous line and the two combined represent the entire Device Marking for that device.

(6) Lead/Ball Finish - Orderable Devices may have multiple material finish options. Finish options are separated by a vertical ruled line. Lead/Ball Finish values may wrap to two lines if the finish value exceeds the maximum column width.

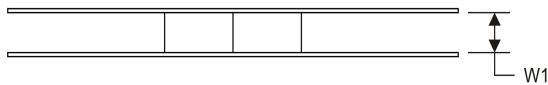
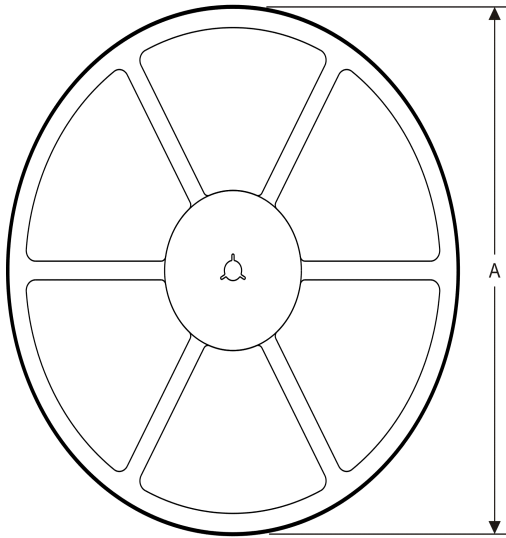


**Important Information and Disclaimer:** The information provided on this page represents TI's knowledge and belief as of the date that it is provided. TI bases its knowledge and belief on information provided by third parties, and makes no representation or warranty as to the accuracy of such information. Efforts are underway to better integrate information from third parties. TI has taken and continues to take reasonable steps to provide representative and accurate information but may not have conducted destructive testing or chemical analysis on incoming materials and chemicals. TI and TI suppliers consider certain information to be proprietary, and thus CAS numbers and other limited information may not be available for release.

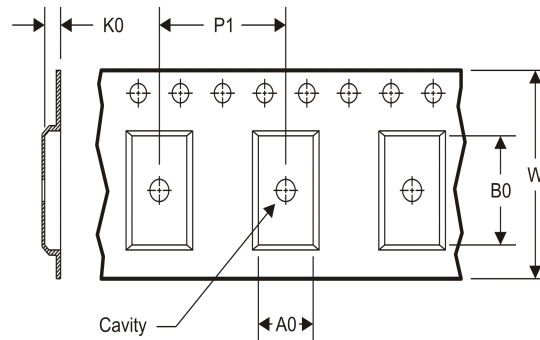
In no event shall TI's liability arising out of such information exceed the total purchase price of the TI part(s) at issue in this document sold by TI to Customer on an annual basis.

TAPE AND REEL INFORMATION

REEL DIMENSIONS



TAPE DIMENSIONS



A0	Dimension designed to accommodate the component width
B0	Dimension designed to accommodate the component length
K0	Dimension designed to accommodate the component thickness
W	Overall width of the carrier tape
P1	Pitch between successive cavity centers

TAPE AND REEL INFORMATION

\*All dimensions are nominal

Device	Package Type	Package Drawing	Pins	SPQ	Reel Diameter (mm)	Reel Width W1 (mm)	A0 (mm)	B0 (mm)	K0 (mm)	P1 (mm)	W (mm)	Pin1 Quadrant
BQ20Z95DBTR	TSSOP	DBT	44	2000	330.0	24.4	6.8	11.7	1.6	12.0	24.0	Q1

**TAPE AND REEL BOX DIMENSIONS**



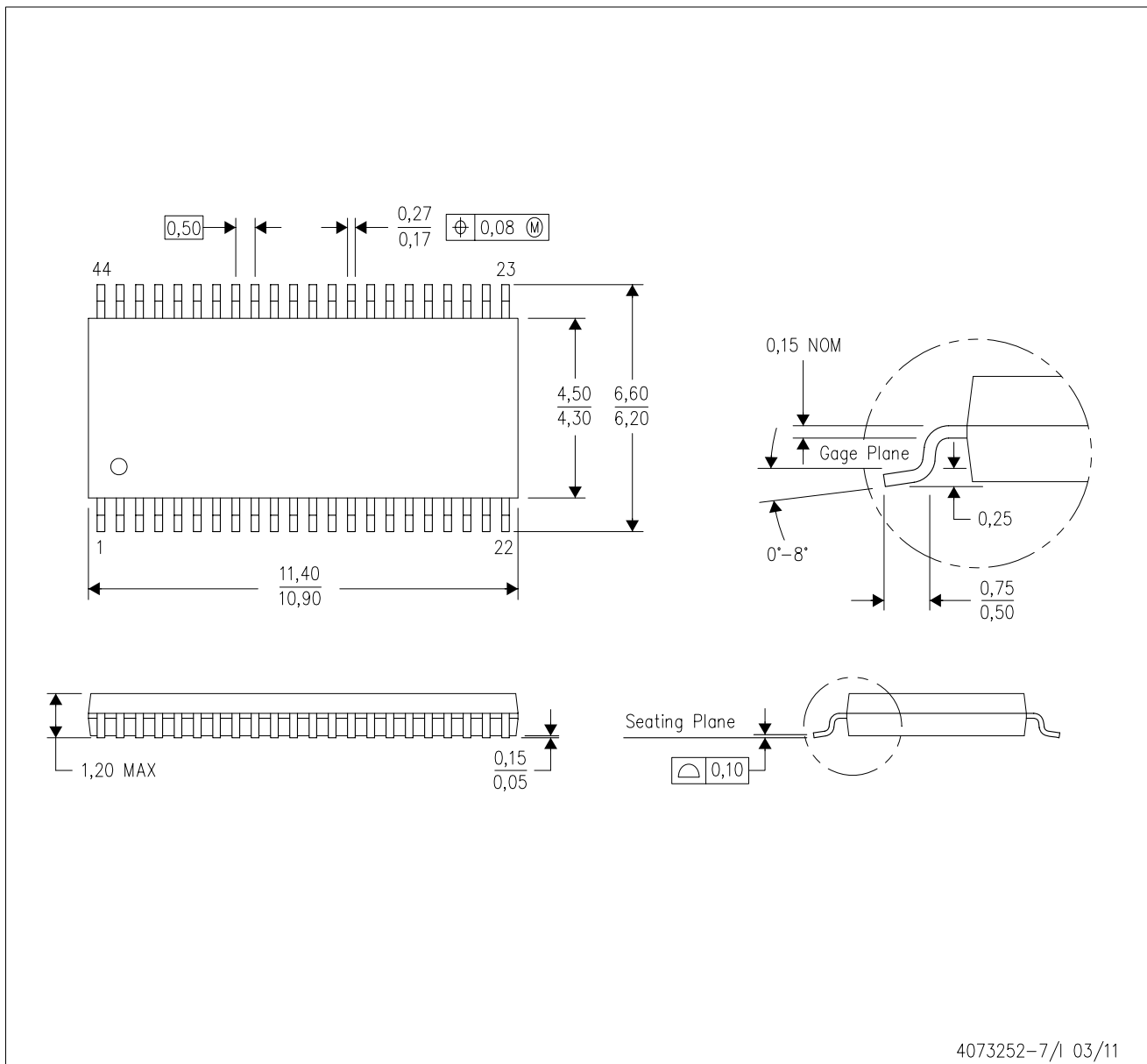
\*All dimensions are nominal

Device	Package Type	Package Drawing	Pins	SPQ	Length (mm)	Width (mm)	Height (mm)
BQ20Z95DBTR	TSSOP	DBT	44	2000	367.0	367.0	45.0

# MECHANICAL DATA

DBT (R-PDSO-G44)

PLASTIC SMALL OUTLINE



- NOTES:
- A. All linear dimensions are in millimeters. Dimensioning and tolerancing per ASME Y14.5M-1994.
  - B. This drawing is subject to change without notice.
  - C. Body dimensions do not include mold flash or protrusion.

## IMPORTANT NOTICE

Texas Instruments Incorporated and its subsidiaries (TI) reserve the right to make corrections, enhancements, improvements and other changes to its semiconductor products and services per JESD46, latest issue, and to discontinue any product or service per JESD48, latest issue. Buyers should obtain the latest relevant information before placing orders and should verify that such information is current and complete. All semiconductor products (also referred to herein as "components") are sold subject to TI's terms and conditions of sale supplied at the time of order acknowledgment.

TI warrants performance of its components to the specifications applicable at the time of sale, in accordance with the warranty in TI's terms and conditions of sale of semiconductor products. Testing and other quality control techniques are used to the extent TI deems necessary to support this warranty. Except where mandated by applicable law, testing of all parameters of each component is not necessarily performed.

TI assumes no liability for applications assistance or the design of Buyers' products. Buyers are responsible for their products and applications using TI components. To minimize the risks associated with Buyers' products and applications, Buyers should provide adequate design and operating safeguards.

TI does not warrant or represent that any license, either express or implied, is granted under any patent right, copyright, mask work right, or other intellectual property right relating to any combination, machine, or process in which TI components or services are used. Information published by TI regarding third-party products or services does not constitute a license to use such products or services or a warranty or endorsement thereof. Use of such information may require a license from a third party under the patents or other intellectual property of the third party, or a license from TI under the patents or other intellectual property of TI.

Reproduction of significant portions of TI information in TI data books or data sheets is permissible only if reproduction is without alteration and is accompanied by all associated warranties, conditions, limitations, and notices. TI is not responsible or liable for such altered documentation. Information of third parties may be subject to additional restrictions.

Resale of TI components or services with statements different from or beyond the parameters stated by TI for that component or service voids all express and any implied warranties for the associated TI component or service and is an unfair and deceptive business practice. TI is not responsible or liable for any such statements.

Buyer acknowledges and agrees that it is solely responsible for compliance with all legal, regulatory and safety-related requirements concerning its products, and any use of TI components in its applications, notwithstanding any applications-related information or support that may be provided by TI. Buyer represents and agrees that it has all the necessary expertise to create and implement safeguards which anticipate dangerous consequences of failures, monitor failures and their consequences, lessen the likelihood of failures that might cause harm and take appropriate remedial actions. Buyer will fully indemnify TI and its representatives against any damages arising out of the use of any TI components in safety-critical applications.

In some cases, TI components may be promoted specifically to facilitate safety-related applications. With such components, TI's goal is to help enable customers to design and create their own end-product solutions that meet applicable functional safety standards and requirements. Nonetheless, such components are subject to these terms.

No TI components are authorized for use in FDA Class III (or similar life-critical medical equipment) unless authorized officers of the parties have executed a special agreement specifically governing such use.

Only those TI components which TI has specifically designated as military grade or "enhanced plastic" are designed and intended for use in military/aerospace applications or environments. Buyer acknowledges and agrees that any military or aerospace use of TI components which have **not** been so designated is solely at the Buyer's risk, and that Buyer is solely responsible for compliance with all legal and regulatory requirements in connection with such use.

TI has specifically designated certain components as meeting ISO/TS16949 requirements, mainly for automotive use. In any case of use of non-designated products, TI will not be responsible for any failure to meet ISO/TS16949.

### Products

Audio	<a href="http://www.ti.com/audio">www.ti.com/audio</a>
Amplifiers	<a href="http://amplifier.ti.com">amplifier.ti.com</a>
Data Converters	<a href="http://dataconverter.ti.com">dataconverter.ti.com</a>
DLP® Products	<a href="http://www.dlp.com">www.dlp.com</a>
DSP	<a href="http://dsp.ti.com">dsp.ti.com</a>
Clocks and Timers	<a href="http://www.ti.com/clocks">www.ti.com/clocks</a>
Interface	<a href="http://interface.ti.com">interface.ti.com</a>
Logic	<a href="http://logic.ti.com">logic.ti.com</a>
Power Mgmt	<a href="http://power.ti.com">power.ti.com</a>
Microcontrollers	<a href="http://microcontroller.ti.com">microcontroller.ti.com</a>
RFID	<a href="http://www.ti-rfid.com">www.ti-rfid.com</a>
OMAP Applications Processors	<a href="http://www.ti.com/omap">www.ti.com/omap</a>
Wireless Connectivity	<a href="http://www.ti.com/wirelessconnectivity">www.ti.com/wirelessconnectivity</a>

### Applications

Automotive and Transportation	<a href="http://www.ti.com/automotive">www.ti.com/automotive</a>
Communications and Telecom	<a href="http://www.ti.com/communications">www.ti.com/communications</a>
Computers and Peripherals	<a href="http://www.ti.com/computers">www.ti.com/computers</a>
Consumer Electronics	<a href="http://www.ti.com/consumer-apps">www.ti.com/consumer-apps</a>
Energy and Lighting	<a href="http://www.ti.com/energy">www.ti.com/energy</a>
Industrial	<a href="http://www.ti.com/industrial">www.ti.com/industrial</a>
Medical	<a href="http://www.ti.com/medical">www.ti.com/medical</a>
Security	<a href="http://www.ti.com/security">www.ti.com/security</a>
Space, Avionics and Defense	<a href="http://www.ti.com/space-avionics-defense">www.ti.com/space-avionics-defense</a>
Video and Imaging	<a href="http://www.ti.com/video">www.ti.com/video</a>

### TI E2E Community

[e2e.ti.com](http://e2e.ti.com)