

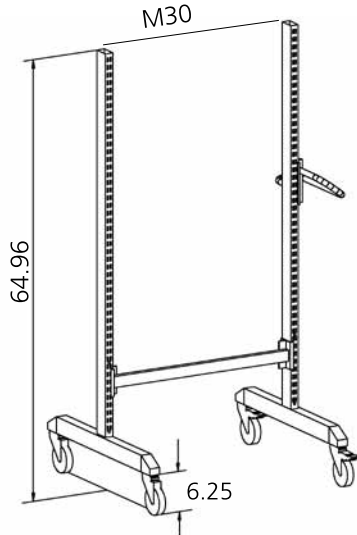


## Specialty trolleys

• = In stock products

Equip your trolleys with shelves, tops and other accessories to fit any application, such as parts transportation or tool storage. All trolleys are

equipped with four swivel casters (ø 5.90 inches), two of which have brakes. Basic trolleys can be combined with all the M30 accessories.



**Basic trolley frame**



**Basic trolley 2**



**Basic trolley 3**



**Basic trolley 4**



**Basic trolley 5**



**Basic trolley 6**

### Basic trolleys

name	size W x D x H inches	max load lbs	order No
Basic trolley frame	31.49 x 28.14 x 64.96	770	C74041000 •
Basic trolley 2	31.49 x 28.14 x 64.96	770	C74007102 •
Basic trolley 3	31.49 x 28.14 x 64.96	770	C74041003 •
Basic trolley 4	31.49 x 28.14 x 64.96	770	C74007004 •
Basic trolley 5	31.49 x 28.14 x 64.96	770	C74007105 •
Basic trolley 5	36 x 28.14 x 64.96	770	14-C7400281 •
Basic trolley 6	31.49 x 28.14 x 64.96	770	14-7404129 •
Basic trolley 6	36 x 28.14 x 64.96	770	14-7404130 •

### Basic trolley accessories

name	size W x D x H inches	max lbs	order No
Bottom shelf with rubber mat	28.34 x 22.04 x 1.25	330	852719-41
Bottom shelf w/HDPE plastic cover	28.34 x 22.04 x 1.25	330	852683-41
Shelf with rubber mat	28.34 x 22.04 x 1.25	330	852720-41
Shelf with HDPE plastic covering	28.34 x 22.04 x 1.25	330	852684-41
Steel Shelf	28.34 x 22.04 x 1.25	150	852685-41 •
Extendable shelf + brackets	28.34 x 22.83 x 1.29	110	852687-35
Wash basket L-300	14.96 x 11.88 x 4.33	44	839116-51
Waste basket			839159-00
Waste basket holder			835773-35
Paper roll holder (roll dims max: width 9.44 inches, ø 9.05 inches)			860310-35

Trolleys can be combined with all the M30 accessories. For perforated panels, see p. 101, for R-hooks, see p. 104-107.