



369 Series Connectors



DEUTSCH



KEY FEATURES

- 3, 6 and 9 way configurations
- Based on existing ARINC 809 / EN4165
- Composite materials
- Robust design
- Fully sealed cable and mating interface
- Mounting of inline with cable-tie
- Button latching mechanism
- Color-coded keyed shells
- Scoop-proof interface
- Military standard AS39029 contacts
- Latch security feature

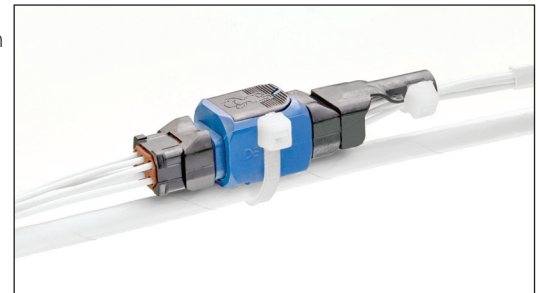
BENEFITS

- Suitable for broad range of applications
- High reliability in aerospace environment
- Extremely compact and lightweight with low smoke, toxicity and flammability
- Excellent temperature, vibration and fluids resistance
- Suitable for areas where high moisture levels are present
- Simple quick mounting
- Quick positive and audible locking
- Quick and accurate installation of cabling
- Prevents damage to contacts in blind-mating conditions
- Standard termination tooling and wire
- Cable-tie helps prevent inadvertent un-mating

Introduction

TE Deutsch 369 series connectors has been developed to provide a range of high reliability, lightweight, compact and cost efficient connectors suited to aerospace and other harsh environment applications. The product is particularly suited to civil aerospace cabin systems applications and is based on the successful Deutsch ARINC 809/EN4165 single module connector. The 369 series is designed for applications where fewer contacts are needed in each connector and shielding is unnecessary.

Connectors are available with 3, 6, and 9 contacts. Installation and maintenance of cabling is quick and easy with a range of individually color-coded keying options. Furthermore, each mated half of the connector can be configured with either male or female



contacts, doubling the keying configurations available and electrically protecting contacts on the powered-side of your system.

Aerospace standard AS39029 contacts can be easily extracted and reinserted from the rear of the connector with standard tooling. The 369 is suitable for blindmating or low visibility conditions with the scoop-proof interface preventing damage to contacts. The connectors are fully sealed for use in areas with high levels of moisture and are manufactured from high performance composite materials which conform to the low smoke, toxicity and flammability requirements of FAR 25. The 369 series is complemented by a range of accessories including easy-fit backshells.

Technical Characteristics

MECHANICAL CHARACTERISTICS

Operating temperature :	-55°C to +175°C
Fluid resistance :	I.A.W. EN2591-315
Sealing :	12.1 kPa (1.75 psi) [≈15 km/(50,000 ft) altitude] / IP67
Vibration :	EN2591-403, Method B, Level E, 8h/axis
Smoke & Toxicity :	I.A.W. FAR 25.853, Appendix F
Flammability :	I.A.W. FAR25.853 Appendix F; EN2591-317
Durability :	500 mating cycles
Shock :	EN2591-402, Method A, severity 100

MATERIAL CHARACTERISTICS

Shells, Insulators and backshells :	High performance thermoplastic
Contacts :	Copper alloy, gold plated
Seals :	Fluorosilicone rubber

Designed to meet the requirements of RoHS

ELECTRICAL CHARACTERISTICS

Dielectric withstanding voltage :	1300 Vrms mated, <2 mA leakage
Operating current :	5 A (size 22)

Part Numbering System

CONNECTOR ORDERING EXAMPLE

D369	-	P	3	3	-	N	P	O
Range prefix		Shell Style P : Plug R : In-line receptacle	Shell Size 3, 6, 9	No. of contacts 3, 6, 9		Shell Keying N (Normal) A, B, C, D	Insert Gender P : Male S : Female	Contact Style 0 : without 1 : with crimp contacts

ACCESSORY ORDERING EXAMPLE

D369	-	STB	-	3
Range prefix		Accessory type Straight backshell : STB		Shell Size 3, 6, 9

Contacts & Tooling

Crimp Contact (Male/Pin) :

Mil Standard: M39029/58-360
TE-Deutsch equivalent: 38941-22



Crimp Contact (Female/Socket) :

Mil Standard: M39029/57-354
TE-Deutsch equivalent: 38946-22



Contact Insertion/Extraction Tool :

M81969/14-01



Keying & Arrangements

SHELL KEYING

Connectors are physically keyed and color-coded



N-Keying Black



A-Keying Red



B-Keying Blue



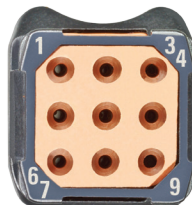
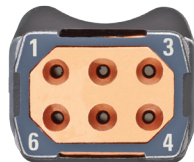
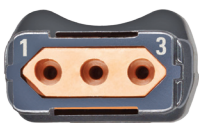
C-Keying Green



D-Keying Yellow

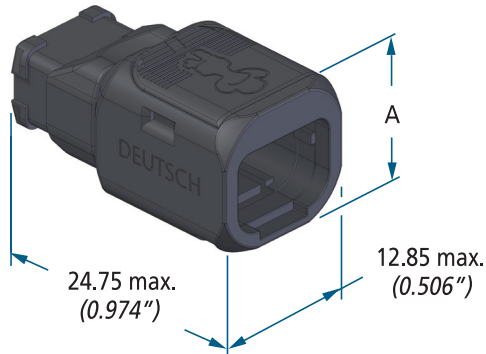
CONTACT ARRANGEMENTS

View on rear of receptacle with female insert



Dimensions

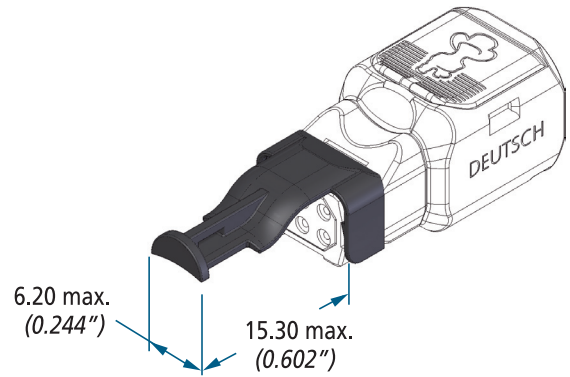
PLUG



Shell size	A max.	Mass*
3	10.41 mm (0.410")	1.90 g
6	12.95 mm (0.510")	2.40 g
9	15.49 mm (0.610")	3.00 g

*Mass based on plug less male contact configuration
 Mass for 1 male contact = 0.073 g
 Recommended cable-tie: 2.5 mm (0.10")

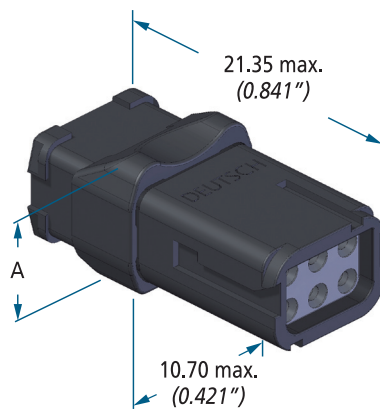
STRAIGHT CABLE-TIE BACKSHELL



Shell size	Mass
3	0.24 g
6	0.25 g
9	0.28 g

Recommended cable-tie: 2.5 mm (0.10")

INLINE RECEPTACLE



Shell size	A max.	Mass*
3	6.52 mm (0.257")	1.00 g
6	9.06 mm (0.357")	1.50 g
9	11.60 mm (0.457")	2.00 g

*Mass based on receptacle less female contact configuration
 Mass for 1 female contact = 0.112 g

FOR MORE INFORMATION

Technical Support

North America	+1 800 522 6752
Asia/Pacific	+86 0 400 820 6015
Austria	+43 1 905 601 228
Baltic Region	+46 8 5072 5000
Benelux	+31 73 6246 999
Czech Republic	+420 800 701 462
France	+33 1 34 20 86 86
Germany	+49 6251 133 1999
Hungary	+36 809 874 04
Italy	+39 011 401 2632
Nordic	+46 8 5072 5000
Poland	+48 800 702 309
Russia	+7495 790 790 2
Spain/Portugal	+34 93 2910366
Switzerland	+41 52 633 66 26
United Kingdom	+44 800 267 666

Follow us on Twitter for all the latest product news @TEConnectivity, and on Facebook, TEConnectivity.

Connect with one of our Subject Matter Experts at www.DesignSmarterFaster.com

www.te.com/ADM

© 2013 Tyco Electronics Corporation. All Rights Reserved.

1-1773704-7 BELLMAN/RRD 2.5M 06/2013

369, DEUTSCH, TE Connectivity, and the TE connectivity (logo) are trademarks of the TE Connectivity Ltd. family of companies.

Other product or company names mentioned herein may be trademarks of their respective owners. While TE has made every reasonable effort to ensure the accuracy of the information herein, nothing herein constitutes any guarantee that such information is error-free, or any other representation, warranty or guarantee that the information is accurate, correct, reliable current. The TE entity issuing this publication reserves the right to make any adjustments to the information contained herein at any time without notice. All implied warranties regarding the information contained herein, including, but not limited to, any implied warranties of merchantability or fitness for a particular purpose are expressly disclaimed. The dimensions herein are for reference purposes only and are subject to change without notice. Specifications are subject to change without notice.

Consult TE for the latest dimensions and design specifications.



DEUTSCH