

PLEASE CHECK WWW.MOLEX.COM FOR LATEST PART INFORMATION

Part Number: [0912291004](#)
Status: **Obsolete**
Description: 1.00mm (.039") Pitch Mobi-Mate™ Cradle Plug, Dual Row, Leaf Style Contact, 16 Circuits, with RF Kit

Documents:
[Drawing \(PDF\)](#)

General

Product Family	I/O Connectors
Series	91229
Application	Wire-to-Board
Comments	RF Kit Included
Component Type	Plug
Product Name	Leaf Style Contact, Mobi-Mate™
Type	N/A

Physical

Circuits (Loaded)	16
Circuits (maximum)	16
Color - Resin	Black, Clear
Lock to Mating Part	Yes
Material - Metal	Brass, Phosphor Bronze
Material - Plating Mating	Gold
Material - Plating Termination	Gold, Tin
Material - Resin	High Temperature Thermoplastic, Polycarbonate
Orientation	Vertical
PCB Retention	N/A
Packaging Type	Tube
Panel Mount	No
Pitch - Mating Interface	1.00mm (.039")
Plating min - Mating	0.102µm (4µ"), 0.762µm (30µ")
Plating min - Termination	0.762µm (30µ"), 3.048µm (120µ")
Polarized to Mating Part	Yes
Surface Mount Compatible (SMC)	N/A
Temperature Range - Operating	-30°C to +85°C
Termination Interface: Style	Crimp or Compression, Solder or Weld
Wire Size AWG	N/A

Electrical

Current - Maximum per Contact	1.5A
Shielded	Yes
Voltage - Maximum	50V

Material Info

Reference - Drawing Numbers

Product Specification	PS-99020-0086
Sales Drawing	SD-91229-001, SDA-90853

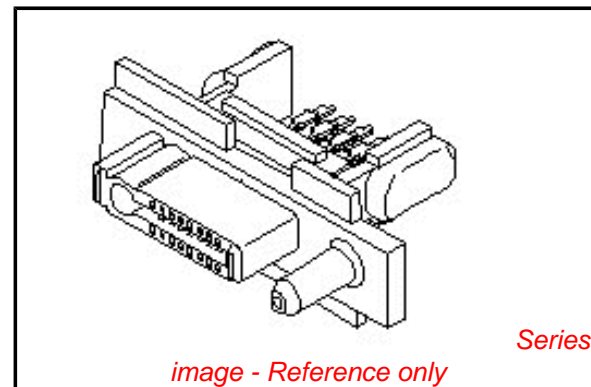


image - Reference only

EU RoHS

**ELV and RoHS
Compliant**
**REACH SVHC
Not Reviewed**
**Low-Halogen Status
Not Reviewed**

China RoHS



**Need more information on product
environmental compliance?**

Email productcompliance@molex.com
 For a multiple part number RoHS Certificate of Compliance, [click here](#)

Please visit the [Contact Us](#) section for any non-product compliance questions.

Search Parts in this Series

[91229Series](#)

Mates With

[91190](#)