



# AMP Circular Plastic Connectors (CPC) Series 45 Ethernet

## DESCRIPTION

- This new series of CPC products accepts RJ45 inserts. The same CPC performance interface that is widely accepted over many markets has been expanded to handle Ethernet communications through Category 5 and 5e requirements.

## KEY FEATURES

- For Category 5 and 5e cables
- Sealing performance per IP 67
- Protective sealing cap available for the receptacles
- Positive lock coupling ring provides for reliable connections

## STANDARDS & SPECS

- |                              |           |                       |          |           |
|------------------------------|-----------|-----------------------|----------|-----------|
| • Design Objective:          | 108-2203  | • Instruction Sheets: | 408-8949 | 408-8950  |
| • Application Specification: | 114-13137 |                       | 408-8951 | 408-10091 |

## APPLICATIONS

- Industrial machinery, Diagnostic equipment, Communications equipment, Printers, and any potential application where Ethernet is used when the connector requirement calls for a sealed, rugged connector interface.

## FOR MORE INFORMATION

**Internet:**  
www.tycoelectronics.com

**E-mail:** newproducts@  
tycoelectronics.com

USA: 1-800-522-6752  
Canada: 1-905-470-4425  
Mexico: 01-800-733-8926  
C. America: 52-55-1106-0803  
South America: 55-11-2103-6000  
Hong Kong: 852-2735-1628  
Japan: 81-44-844-8013  
UK: 44-208-420-8341

RoHS  
Ready 

 **Tyco Electronics**

Our commitment. Your advantage.

## ELECTRICAL

- Meets TIA/EIA-56-B.2 Category 5 requirements

## MATERIALS

- UV resistant and UL 94V-0 housing material

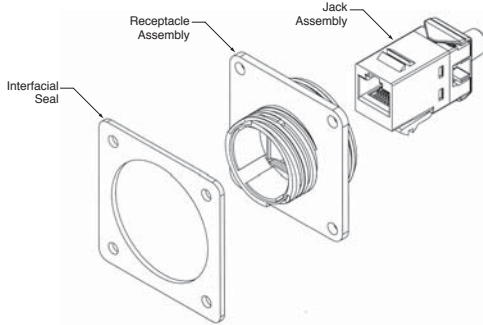
## MECHANICAL

- Positive lock coupling ring
- Polarized for proper mating between connector halves

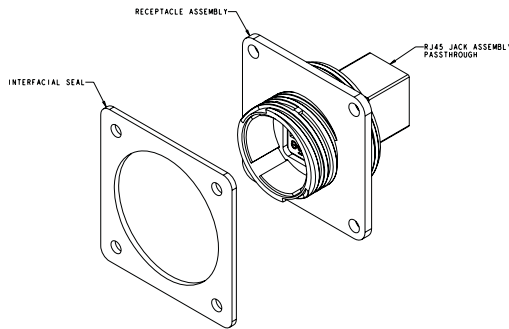
- Operating temperature: -55°C to +105°C [-67°F to +221°F]

## PRODUCT DIMENSIONS & PRODUCT OFFERING

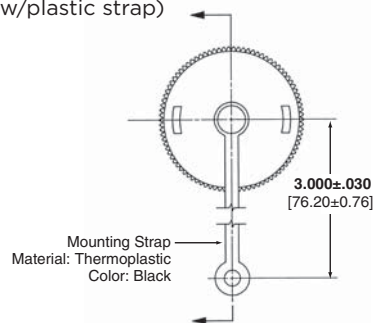
Receptacle Kit, Wire Terminated, Unshielded – Part No. 1546877-1



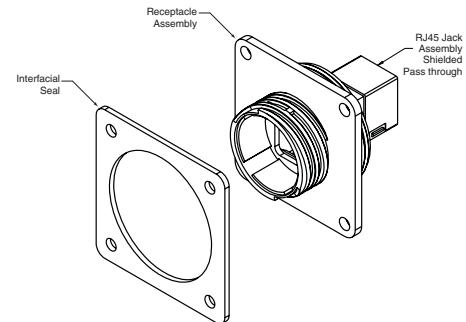
Receptacle Kit, Pass-through RJ45/RJ45 – Part No. 1776186-1



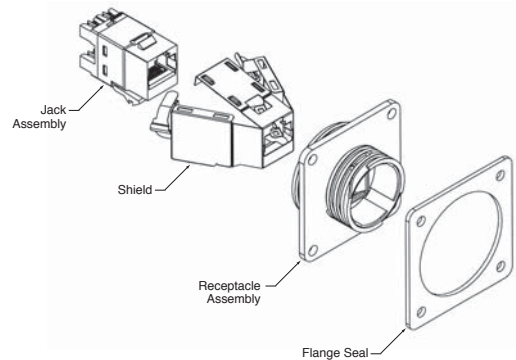
Receptacle Sealing Caps  
Part No. 207445-1 (w/plastic strap)



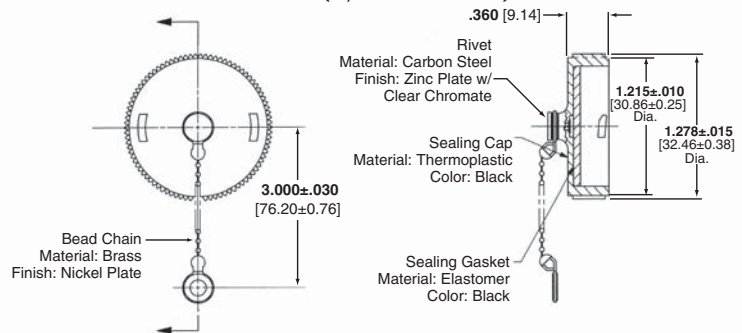
Receptacle Kit, Shielded Pass-through RJ45/RJ45 – Part No. 1986172-1



Receptacle Kit, Wire Terminated, Shielded – Part No. 1546908-1



Part No. 208652-1 (w/beaded chain)



Plug Kit, Unshielded –

Solid Wire, Part No. 1546876-1  
Stranded Wire, Part No. 1546876-2

Plug Kit, Shielded –

Solid Wire, Part No. 1546907-1  
Stranded Wire, Part No. 1546907-2

