

Schroff
Case, 3 U

Catalog Number: 14575-171



Mounting position horizontal/central rail

- Desk-top case, pre-configures, for individual assembly
- For backplane mounting with insulation strips
- Ventilation slots in base plate



Description

Product family: CompacPRO

Application: Table case

Shielding: No

Family: CompacPRO

EMC Shielding: Unshielded

Disposition: Case only

Type: Case

Product family: CompacPRO

Delivery Includes: (Kit, items 1 and 2 fitted)

Shielding: No

Ventilation: Yes

Disposition: Case only

Delivery Comprises:

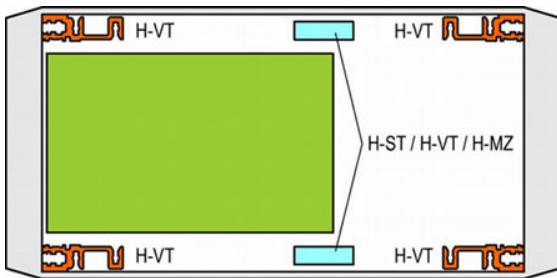
Item	Quantity	Description
1	2	Side panel, Al extrusion, powder-coated, RAL 7016
2	2	Frame, Al die-cast, powder-coated, RAL 7016
3	1	Cover plate, Al, 1.5 mm, powder-coated, RAL 9006, with GND/earthing connection
4	1	Base plate with 4 rows of ventilation slots, Al, 1.5 mm, powder-coated RAL 9006, with earthing connection
5	4	Case foot with anti-slip protection, PC, black
6	8	Fixing adaptor for cover plate, prefitted
7	1	Assembly kit, also allows the fitting of a full-width front panel, two cover brackets or a rear panel

Technical Data

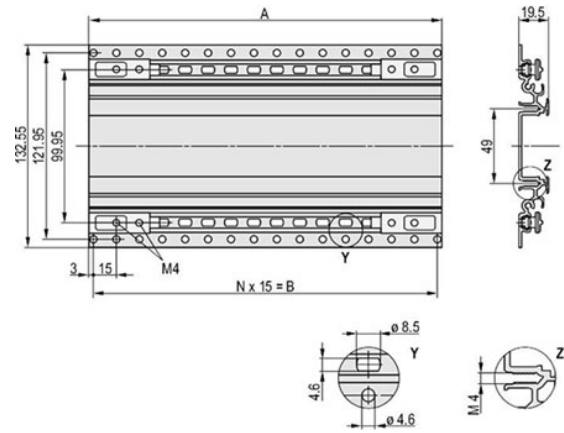
Case, 3 U

Catalog Number	14575-171
Depth mm	511.0
Height U	3.0
Width HP	84.0
Height mm	147.1

Other Views



Mounting position horizontal/central rail



Extruded side panel

