

# STEGOJET

## SJ 019



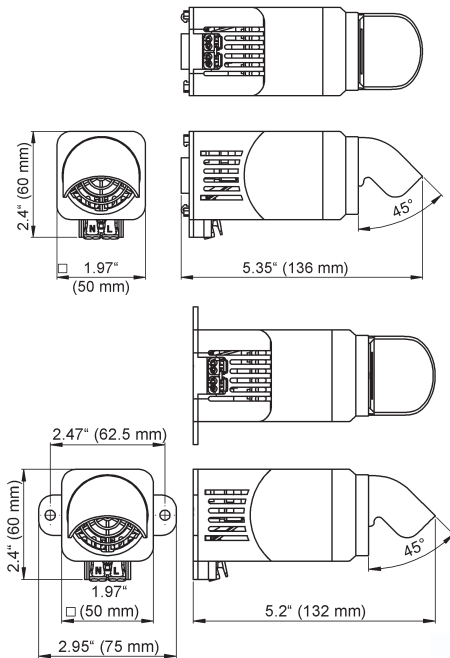
- > Prevents heat pockets
- > Wide voltage range
- > Compact design
- > Quick connection
- > Clip or screw mounting

The STEGOJET is a compact, powerful built-in fan. It allows precise cooling of heat sources and the air flow prevents formation of heat pockets. Its design offers a maximum rotation range with an air output in almost any direction. The dual clip system (two clips at a 90° angle) allows four different positions on a DIN rail, while the hinge in the housing can be moved at a 40° angle. Additionally, the airflow at the air outlet can be directed at a 45° angle and the air duct can be turned 360°.

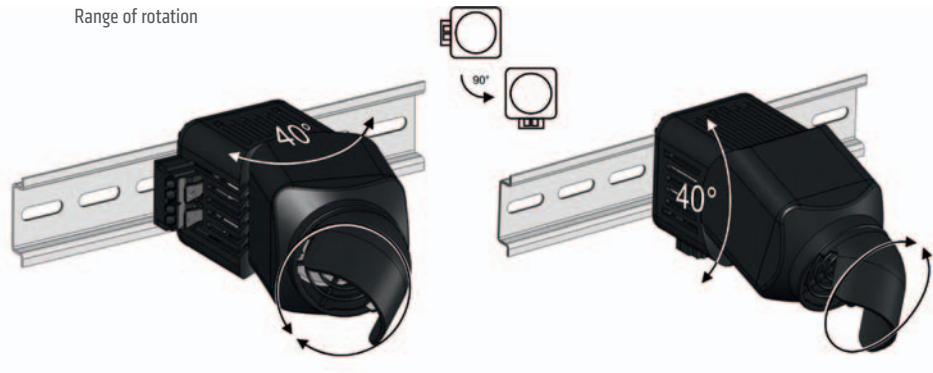


### TECHNICAL DATA

<b>Axial fan, ball bearing</b>	air flow 16.2 cfm (27.6 m <sup>3</sup> /h), free flow service life 40,000 h at 140 °F (60 °C) and 90 %RH
<b>Power consumption</b>	4 W
<b>Connection</b>	2-pole dual cage clamp for solid wire - AWG 14 (2.5 mm <sup>2</sup> ), stranded wire (w/ wire end ferrule) - AWG 16 (1.5 mm <sup>2</sup> )
<b>Housing</b>	plastic, UL 94V-0, black
<b>Mounting</b>	clip for 35 mm DIN rail, EN 60715 or with M5 screws and washers (not included), torque 2 Nm max.
<b>Mounting position</b>	variable
<b>Dimensions</b>	5.2 x 2.95 x 2.4" (132 x 75 x 60 mm)
<b>Weight</b>	approx. 7 oz. (0.2 kg)
<b>Operating / Storage temperature</b>	+14 to +140 °F (-10 to +60 °C) / -22 to +158 °F (-30 to +70 °C)
<b>Operating / Storage humidity</b>	max. 90 %RH (non-condensing)
<b>Protection class / Protection type</b>	II (double insulated) / IP20
<b>Approvals</b>	UL File No. E234324, VDE



Range of rotation



Part No.	Model	Operating voltage
01925.0-00	DIN rail mounting	AC 100-240 V, 50/60 Hz (min. AC 90 V, max. AC 265 V)
01925.0-01	Screw mounting	AC 100-240 V, 50/60 Hz (min. AC 90 V, max. AC 265 V)