

PLEASE CHECK WWW.MOLEX.COM FOR LATEST PART INFORMATION

Part Number: [19002-0044](#)
Status: **Active**
Overview: Quick-Disconnect Terminals
Description: Avikrimp™ Quick Disconnect, Female, for 10-12 (5.00-3.30mm²) Wire, Box, Tab 6.35 x 0.81mm

Documents:

3D Model	Product Specification PS-19902-013 (PDF)
Drawing (PDF)	Product Specification PS-19902-014 (PDF)
Product Specification PS-19902-011 (PDF)	RoHS Certificate of Compliance (PDF)

Agency Certification

CSA	LR18689
UL	E79133

General

Product Family	Quick Disconnects
Series	19002
Crimp Quality Equipment	Yes
Insulated	Fully
Overview	Quick-Disconnect Terminals
Product Name	Avikrimp™
Type	Quick Disconnect
UPC	800753027763

Physical

Barrel Type	Closed
Color - Resin	Yellow
Flammability	94V-2
Gender	Female
Glow-Wire Compliant	Yes
Insulation	Nylon (PA)
Lock to Mating Part	None
Material - Metal	Brass
Material - Plating Mating	Tin
Material - Plating Termination	Tin
Net Weight	1.941/g
Orientation	Straight
Packaging Type	Bag
Polarized to Mating Part	No
Tab Thickness	0.81mm
Tab Width	6.35mm
Temperature Range - Operating	-65°C to +105°C
Wire Insulation Diameter	6.22mm max.
Wire Size AWG	10, 12
Wire Size mm ²	3.30 - 5.00

Electrical

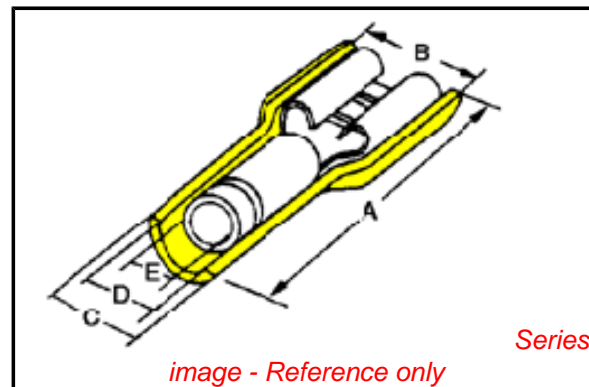
Voltage - Maximum	300V
-------------------	------

Material Info

Old Part Number	C-5265
-----------------	--------

Reference - Drawing Numbers

Product Specification	PS-19902-011, PS-19902-013, PS-19902-014
Sales Drawing	SD-19002-005



EU RoHS

ELV and RoHS Compliant

REACH SVHC

Contains SVHC: No
Low-Halogen Status
Low-Halogen

China RoHS



Need more information on product environmental compliance?

Email productcompliance@molex.com
 For a multiple part number RoHS Certificate of Compliance, [click here](#)

Please visit the [Contact Us](#) section for any non-product compliance questions.

Search Parts in this Series

19002Series

Use With

19001-0010 , 19001-0011

Application Tooling | FAQ

Tooling specifications and manuals are found by selecting the products below. Crimp Height Specifications are then contained in the Application Tooling Specification document.

Global

Description	Product #
PremiumGrade™	0640010200
Hand Crimp Tool	

This document was generated on 10/22/2014

PLEASE CHECK WWW.MOLEX.COM FOR LATEST PART INFORMATION