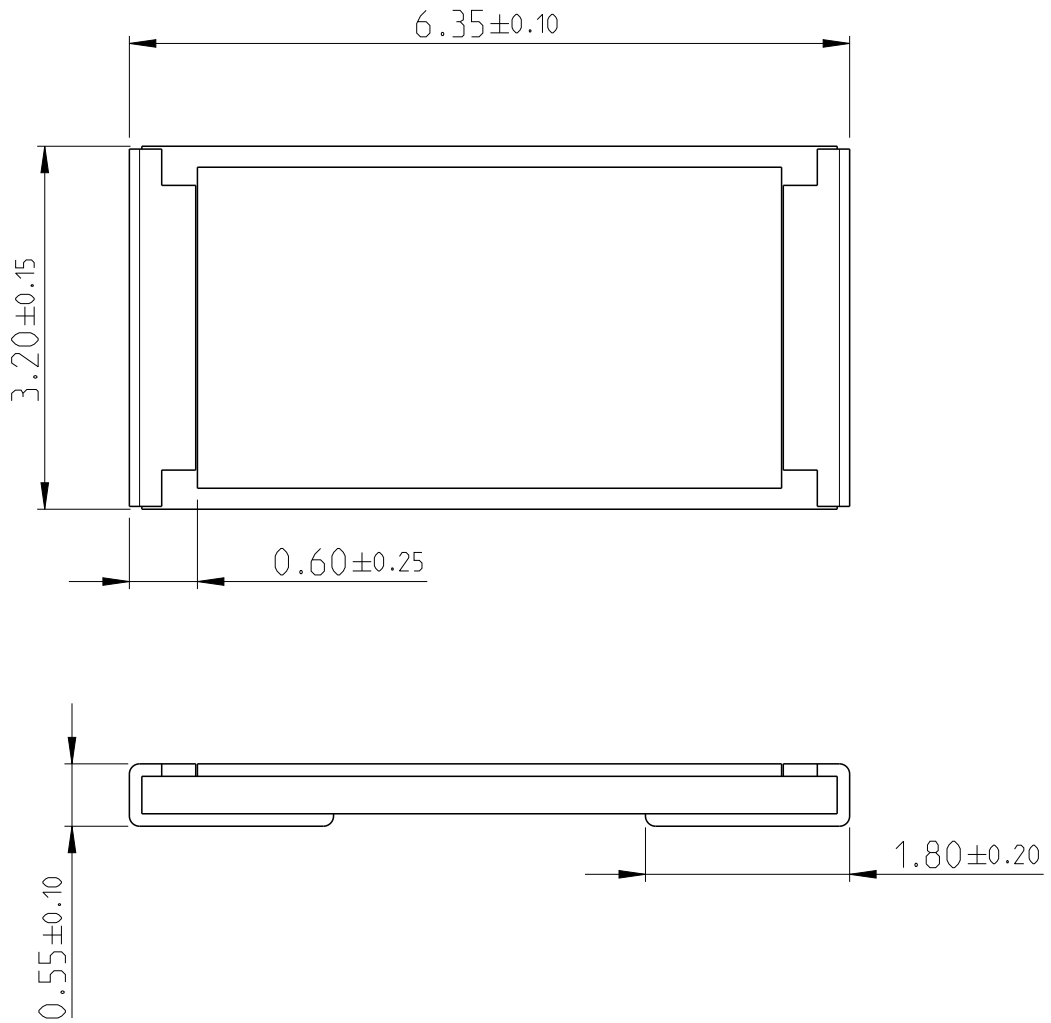
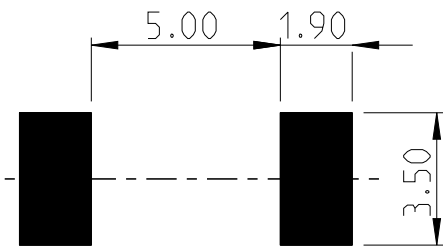


LOC	DIST	REVISIONS					
-	-	P	LTR	DESCRIPTION	DATE	DWN	APVD
		BB		ECR-13-014781	20SEP2013	KR	TN

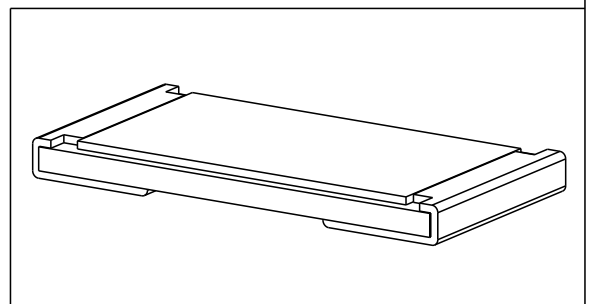


FOR FURTHER INFORMATION SEE DATA SHEET FOR 3521 SERIES

RoHS Compliant



PDB LAYOUT PLAN





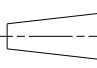
RELEASED FOR PUBLICATION

THIS DRAWING IS UNPUBLISHED.

ALL RIGHTS RESERVED.

BY -

© COPYRIGHT 20

DIMENSIONS: mm	DWN DARSHAN MS	15MAR2012	MATERIAL	-	FINISH	-					
	CHK ALLAN P	15MAR2012	 TE Connectivity								
TOLERANCES UNLESS OTHERWISE SPECIFIED:	APVD STEPHEN.P	15MAR2012									
	0 PLC ±	1 PLC ±0.5	2 PLC ±0.13	3 PLC ±0.013	4 PLC ±0.0001	ANGLES ±					
 	PRODUCT SPEC	-	NAME SMD POWER RESISTORS - TYPE 3521 SERIES								
	APPLICATION SPEC	-	SIZE	A 4	CAGE CODE	00779	DRAWING NO	C-2176070	RESTRICTED TO	-	
WEIGHT		0.03806 Gram		SCALE		40:1	SHEET		1 OF 1	REV	BB
Customer Drawing											