

# Heavy Duty Low Cost Enclosures

## Technical Specification

Deltron's entry level Heavy Duty Low Cost enclosure is ideal for robust applications where moisture or dust ingress protection is not critical to the performance of the electronics housed inside.

In line with our IP rated Heavy Duty enclosures these are supplied with DIN rail stand-offs, base plate mounting kits and internal earth points.

We also offer a full enclosure build service.

**Full technical specification attached**



**Call us on:**

**Tel: +44 (0)1724 273200**

### Features:

- Supplied complete with lid, captive screws and earth screws
- PCB card guides and stand-offs
- DIN rail mounting points

### Typical Applications:

- Industrial Controls
- Security
- Transportation

### Standard Sizes Available:

125 x 125 x 80	220 x 120 x 80
125 x 125 x 90	220 x 120 x 90
130 x 80 x 60	260 x 160 x 90
160 x 160 x 90	260 x 160 x 120

### Standard Finishes Available:

Plain  
Powder Coated  
Nylon Coated

### DEM Manufacturing

Deltron Emcon House  
Hargreaves Way, Sawcliffe Industrial Park  
Scunthorpe, North Lincolnshire  
DN15 8RF

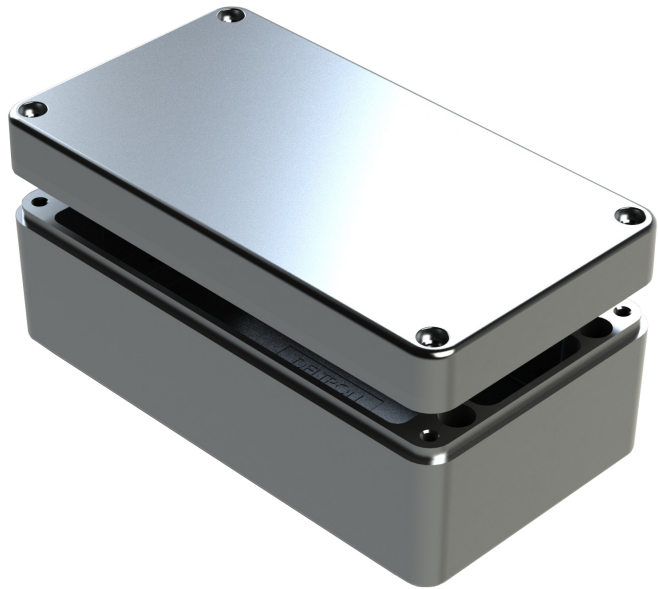


Tel: 44 (0) 1724 273200

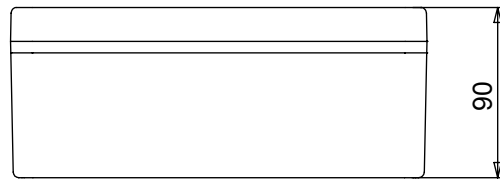
Fax: 44 (0) 1724 280353

Email: sales@dem-uk.com

Web: [www.dem-uk.com/deltron-enclosures](http://www.dem-uk.com/deltron-enclosures)

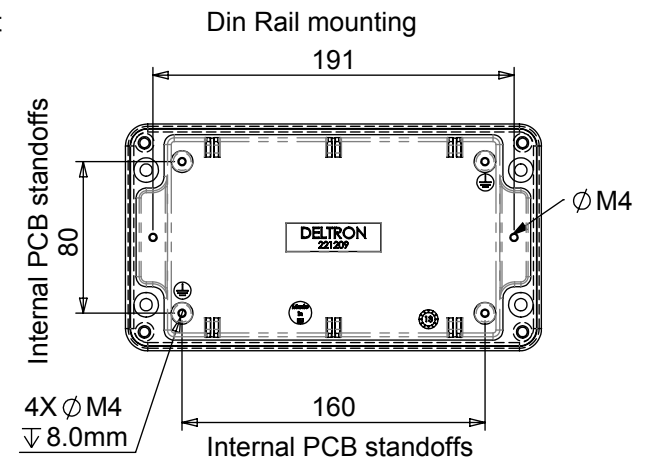
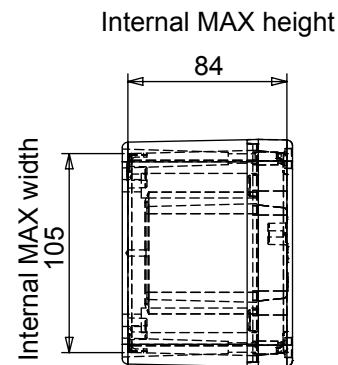
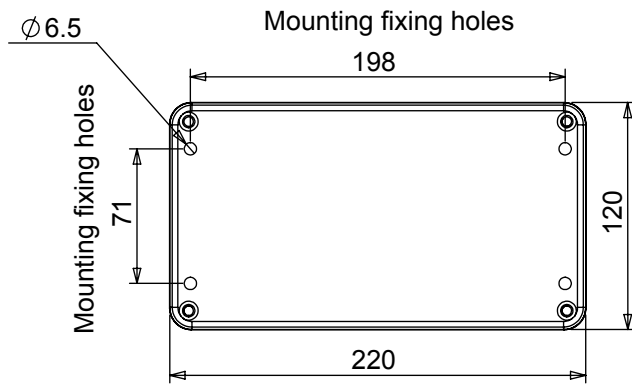
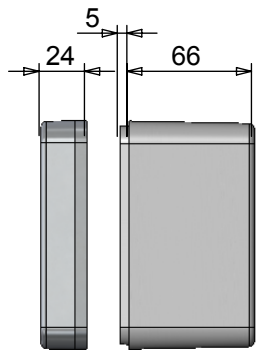


Length	Width	Height	Un-Painted	Powder Coat	Nylon Coat
220	120	90	486-221209	487-221209*	488-221209*
Box Dimensions in mm			Colour Option - Colour suffix * - Grey= A / Blue= B / Black= E		



Die cast aluminium enclosure sealed to

- Min enclosure wall thickness 3mm
- Min enclosure lid thickness 3mm
- PCB Maximum dimensions 105mm Length, 1.7mm Width
- Enclosures can be supplied Machined to your specifications
- Made in the UK



Tel No. +44(0)1724 273200 Website www.dem-uk.com



**PROPRIETARY AND CONFIDENTIAL**  
 THE INFORMATION CONTAINED IN THIS DRAWING IS THE SOLE PROPERTY OF ALPHA 3 MANUFACTURING.  
 ANY REPRODUCTION IN PART OR AS A WHOLE WITHOUT THE WRITTEN PERMISSION OF ALPHA 3 MANUFACTURING IS PROHIBITED.

**DEM** DEM Manufacturing, Deltron Emcon House  
 Hargreaves Way, Sawcliffe Ind. Park,  
 Scunthorpe, North Lincolnshire, DN15 8RF, UK

UNLESS OTHERWISE SPECIFIED:  
 DIMENSIONS ARE IN MILLIMETRES.  
 TOLERANCE:  
**NO DECIMAL PLACES ±0.2mm**  
**1 DECIMAL PLACE ±0.1mm**  
**2 DECIMAL PLACES ±0.05mm**  
**ANGULAR TOLERANCE: ±1°**

FINISH - see paint code for colour  
 DEBURR AND BREAK SHARP EDGES  
 APPROVED BY WC  
 THIRD ANGLE PROJECTION  
 MATERIAL LM24

DRAWN BY SPB  
 SHEET 1 OF 1  
 SCALE 1:4  
 A4

TITLE **HEAVY DUTY DIE-CAST ENCLOSURE**  
 DRAWING NO. 486-221209  
 ISSUE **01**  
 Release