

Heavy Duty Low Cost Enclosures

Technical Specification

Deltron's entry level Heavy Duty Low Cost enclosure is ideal for robust applications where moisture or dust ingress protection is not critical to the performance of the electronics housed inside.

In line with our IP rated Heavy Duty enclosures these are supplied with DIN rail stand-offs, base plate mounting kits and internal earth points.

We also offer a full enclosure build service.

Full technical specification attached



Call us on:

Tel: +44 (0)1724 273200

Features:

- Supplied complete with lid, captive screws and earth screws
- PCB card guides and stand-offs
- DIN rail mounting points

Typical Applications:

- Industrial Controls
- Security
- Transportation

Standard Sizes Available:

125 x 125 x 80	220 x 120 x 80
125 x 125 x 90	220 x 120 x 90
130 x 80 x 60	260 x 160 x 90
160 x 160 x 90	260 x 160 x 120

Standard Finishes Available:

Plain
Powder Coated
Nylon Coated

DEM Manufacturing

Deltron Emcon House
Hargreaves Way, Sawcliffe Industrial Park
Scunthorpe, North Lincolnshire
DN15 8RF

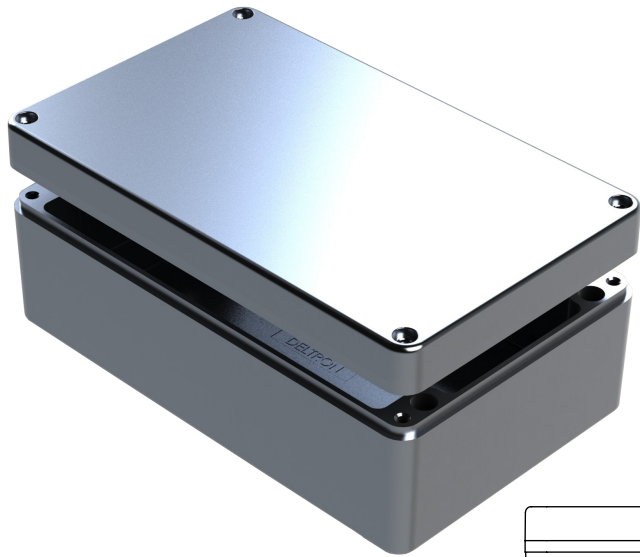


Tel: 44 (0) 1724 273200

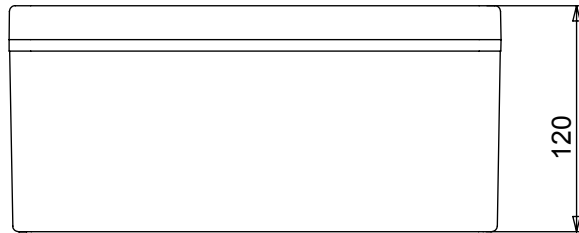
Fax: 44 (0) 1724 280353

Email: sales@dem-uk.com

Web: www.dem-uk.com/deltron-enclosures

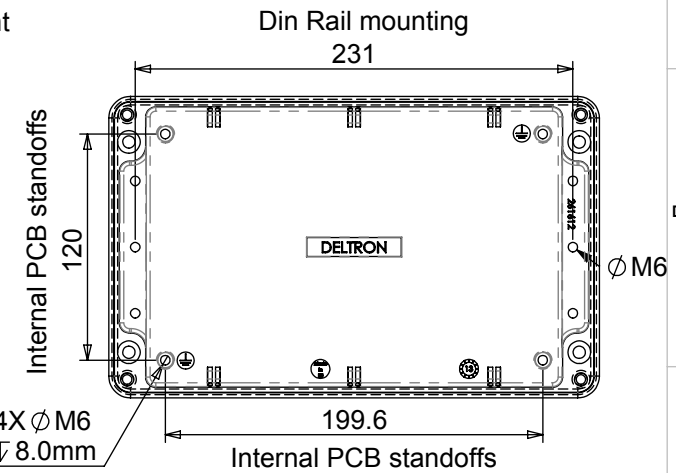
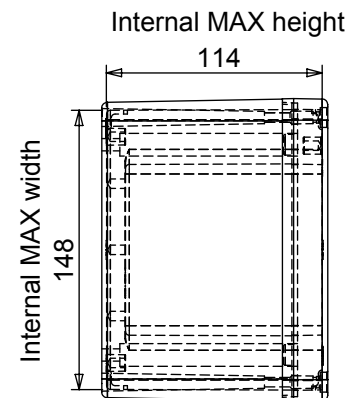
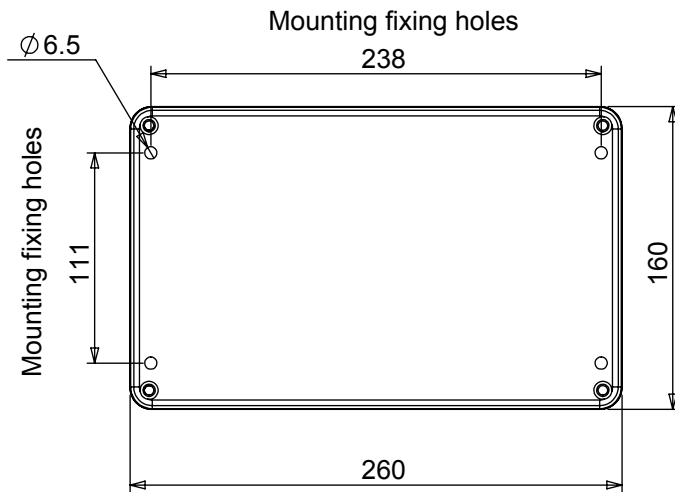
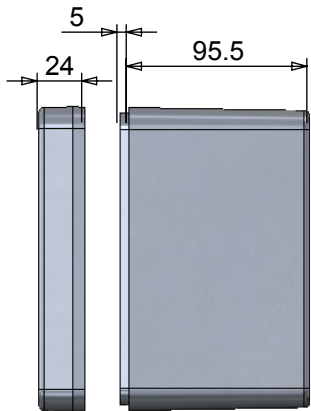


Length	Width	Height	Un-Painted	Powder Coat	Nylon Coat
260	160	120	486-261612	487-261612*	488-261612*
Box Dimensions in mm			Colour Option - Colour suffix * - Grey= A / Blue= B / Black= E		



Die cast aluminium enclosure sealed to

- Min enclosure wall thickness 3mm
- Min enclosure lid thickness 3mm
- PCB maximum dimensions 148mm Length, 1.7mm Width
- Enclosures can be supplied Machined to your specifications
- Made in the UK



Tel No. +44(0)1724 273200 Website www.dem-uk.com



PROPRIETARY AND CONFIDENTIAL
 THE INFORMATION CONTAINED IN THIS DRAWING IS THE SOLE PROPERTY OF
 ALPHA 3 MANUFACTURING.
 ANY REPRODUCTION IN PART OR AS A WHOLE WITHOUT THE WRITTEN PERMISSION OF
 ALPHA 3 MANUFACTURING IS PROHIBITED.

DEM Manufacturing, Deltron Emcon House
 Hargreaves Way, Sawcliffe Ind. Park,
 Scunthorpe, North Lincolnshire, DN15 8RF, UK

UNLESS OTHERWISE SPECIFIED:
 DIMENSIONS ARE IN MILLIMETRES.
 TOLERANCE:
NO DECIMAL PLACES ±0.2mm
1 DECIMAL PLACE ±0.1mm
2 DECIMAL PLACES ±0.05mm
ANGULAR TOLERANCE: ±1°

FINISH - See paint code for colour
 IF IN DOUBT ASK
 DO NOT SCALE DRAWING

DEBURR AND BREAK SHARP EDGES

MATERIAL LM24

DRAWN BY SPB
 APPROVED BY WC
 THIRD ANGLE PROJECTION
 SHEET 1 OF 1
 SCALE 1:4
 A4

TITLE HEAVY DUTY DIE-CAST ENCLOSURE

DRAWING NO. 486-261612

ISSUE 01
 Release