

PLEASE CHECK WWW.MOLEX.COM FOR LATEST PART INFORMATION

Part Number: [50011-8100](#)
Status: **Active**
Overview: MicroBlade™ Connection System
Description: 2.00mm Pitch MicroBlade™ Wire-to-Wire Crimp Terminal, Female, 24-30 AWG, Bag

Documents:

[Drawing \(PDF\)](#) [Product Specification PS-55381-004 \(PDF\)](#)
[Product Specification PS-51004-002 \(PDF\)](#) [RoHS Certificate of Compliance \(PDF\)](#)
[Product Specification PS-51049-001 \(PDF\)](#)

General

Product Family	Crimp Terminals
Series	50011
Application	Signal
Crimp Quality Equipment	Yes
MolexKits	Yes
Overview	MicroBlade™ Connection System
Packaging Alternative	50011-8000 (Reel)
Product Name	MicroBlade™
UPC	800753576223

Physical

Gender	Female
Material - Metal	Phosphor Bronze
Material - Plating Mating	Tin
Material - Plating Termination	Tin
Net Weight	22.500/mg
Packaging Type	Bag
Termination Interface: Style	Crimp or Compression
Wire Insulation Diameter	0.80-1.40mm
Wire Size AWG	24, 26, 28, 30
Wire Size mm²	N/A

Electrical

Current - Maximum per Contact	2A
Voltage - Maximum	125V

Material Info

Reference - Drawing Numbers

Crimp Specification	CS-50011-8*00
Product Specification	PS-51004-002, PS-51049-001, PS-55381-004, RPS-51004-001, RPS-51004-002, RPS-51004-003, RPS-51004-004, RPS-51004-006, RPS-51004-007, RPS-51004-008, RPS-51004-009, RPS-51004-010, RPS-51004-011, RPS-51004-012, RPS-51004-013, RPS-51004-014, RPS-51004-015, RPS-51004-016, RPS-51004-017, RPS-51004-018, RPS-51004-019, RPS-51004-020, RPS-51004-021, RPS-51004-022, RPS-51004-023, RPS-51004-024, RPS-51004-025, RPS-51004-026, RPS-53014-001, RPS-55381-001, RPS-55381-002
Sales Drawing	SD-50011-8*00

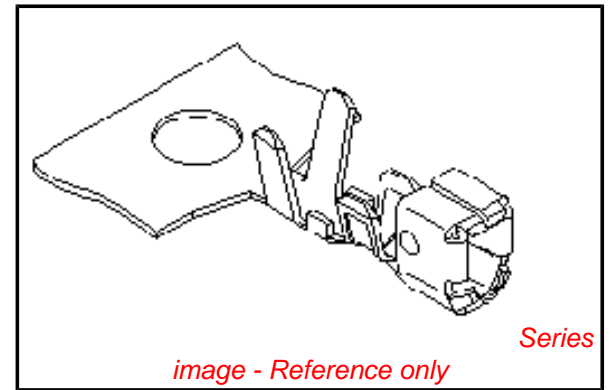


image - Reference only

EU RoHS

ELV and RoHS Compliant
REACH SVHC Contains SVHC: No
Low-Halogen Status Low-Halogen

China RoHS



Need more information on product environmental compliance?

Email productcompliance@molex.com
 For a multiple part number RoHS Certificate of Compliance, [click here](#)

Please visit the [Contact Us](#) section for any non-product compliance questions.

Search Parts in this Series

[50011Series](#)

Mates With

[53014](#) , [53015](#) , [53025](#) MicroBlade™ Headers

Use With

[51004](#) MicroBlade™ Housing

Application Tooling | FAQ

Tooling specifications and manuals are found by selecting the products below. Crimp Height Specifications are then contained in the Application Tooling Specification document.

Global

Description	Product #
Hand Crimp Tool for Crimp Terminals	0638190100
Extraction Tool	0011030043

Japan

Description	Product #
Hand Crimp Tool	0570325000

This document was generated on 10/13/2014

PLEASE CHECK WWW.MOLEX.COM FOR LATEST PART INFORMATION