



## Features:

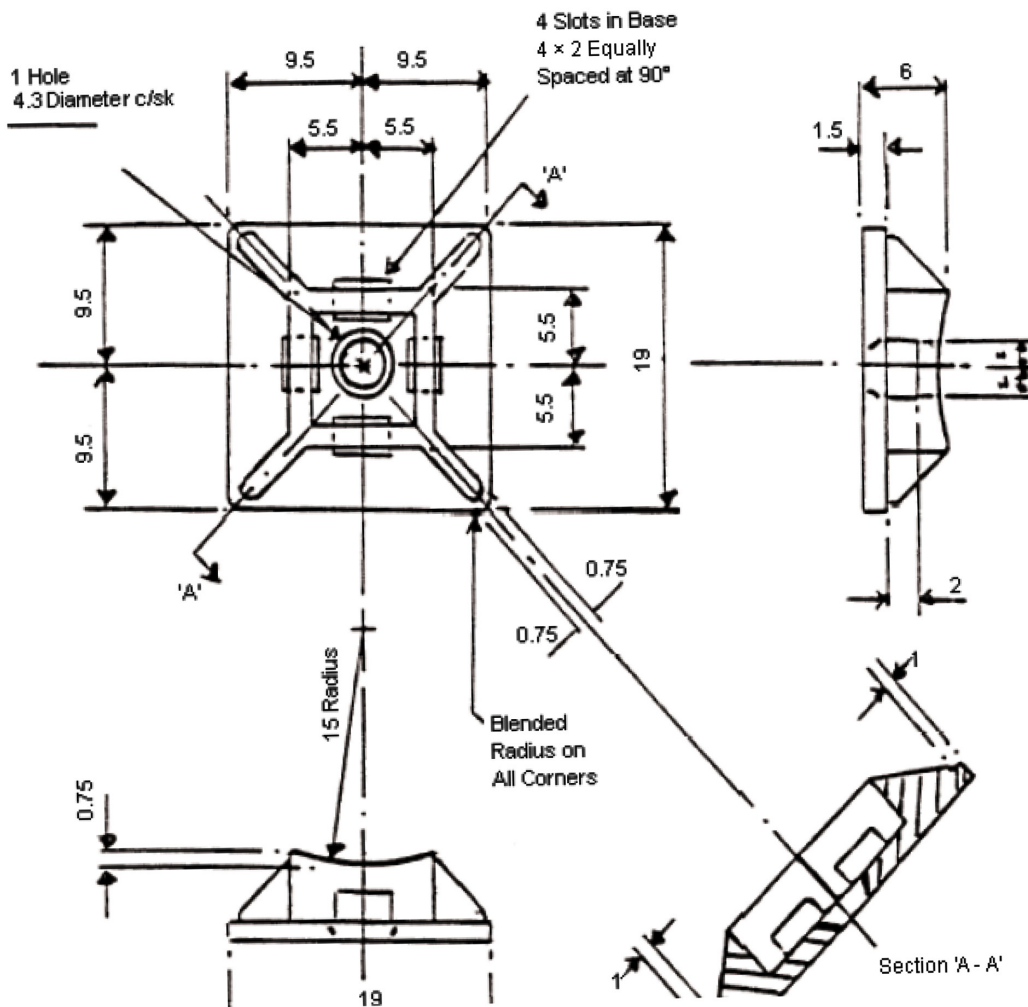
- Natural or Black Nylon 66 mounting bases with self-adhesive or central screw fixing options
- Accepts ties from all four sides
- Operating temperature : -40°C to +85°C

Adhesive Thickness: 1mm

Adhesive consists of a white polyethylene foam, coated on both sides with a high-performance synthetic rubber adhesive, providing a high level of instant tack combined with high shear adhesive.

The mounting will withstand continuous temperature of -20°C to +60°C.

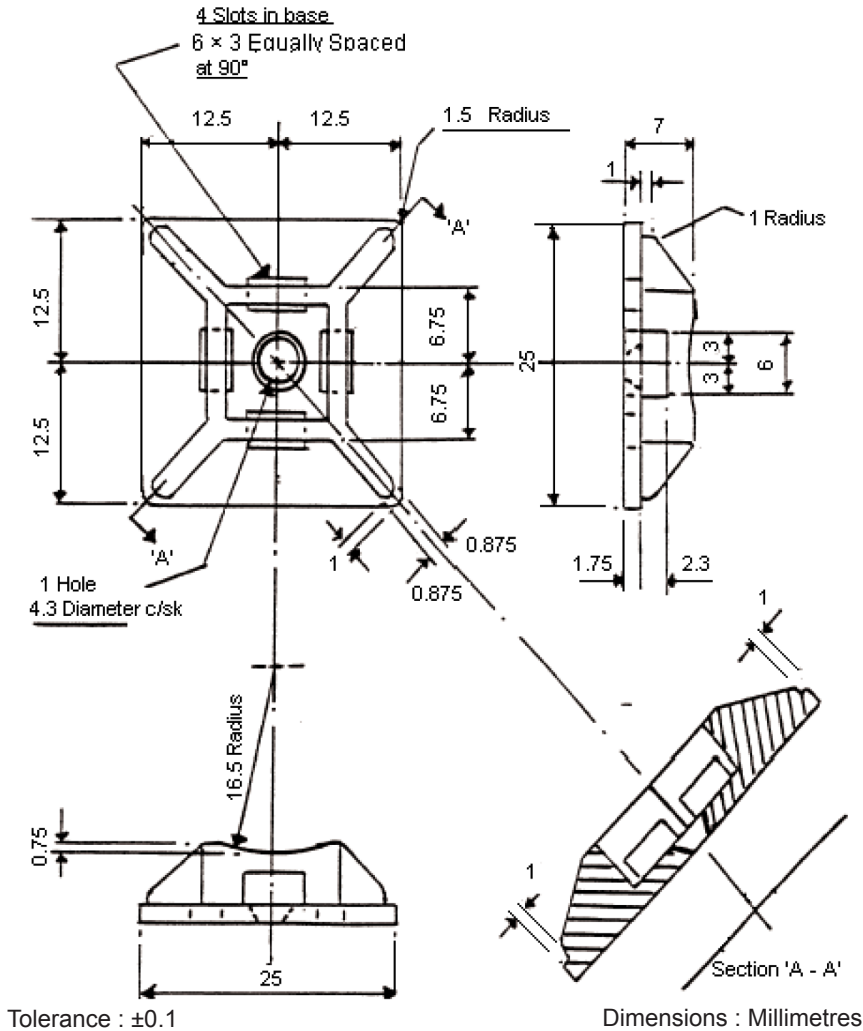
## Cable Tie Mounting Bases - NBB12 and NB12



Tolerance : ±0.1

Dimensions : Millimetres

## Cable Tie Mounting Bases - NBB22 and NB22



### Part Number Table

Description	Base Size (mm)	Max. Cable Tie Width	Central Hole Dia.	Colour	Packaging	Part Number
Cable Tie Mount	19 x 19	3.6mm	4.3mm	Black	100 per Pack	NBB12
				Natural		NB12
	25 x 25	4.8mm		Black		NBB22
				Natural		NB22

**Important Notice :** This data sheet and its contents (the "Information") belong to the members of the Premier Farnell group of companies (the "Group") or are licensed to it. No licence is granted for the use of it other than for information purposes in connection with the products to which it relates. No licence of any intellectual property rights is granted. The Information is subject to change without notice and replaces all data sheets previously supplied. The Information supplied is believed to be accurate but the Group assumes no responsibility for its accuracy or completeness, any error in or omission from it or for any use made of it. Users of this data sheet should check for themselves the Information and the suitability of the products for their purpose and not make any assumptions based on information included or omitted. Liability for loss or damage resulting from any reliance on the Information or use of it (including liability resulting from negligence or where the Group was aware of the possibility of such loss or damage arising) is excluded. This will not operate to limit or restrict the Group's liability for death or personal injury resulting from its negligence. pro-POWER is the registered trademark of the Group. © Premier Farnell plc 2012.