

2-stage filter for 3-phase systems with low leakage current

new



Description

- Screw-on mounting on chassis,
- Terminals for three phases and ground,
- 2 positions
- very high attenuation
- Protection class I
- Screw clamps
- High symmetrical and asymmetrical attenuation In the frequency range from 10kHz up to 300MHz

Approvals

- UL File Number: E72928

Characteristics

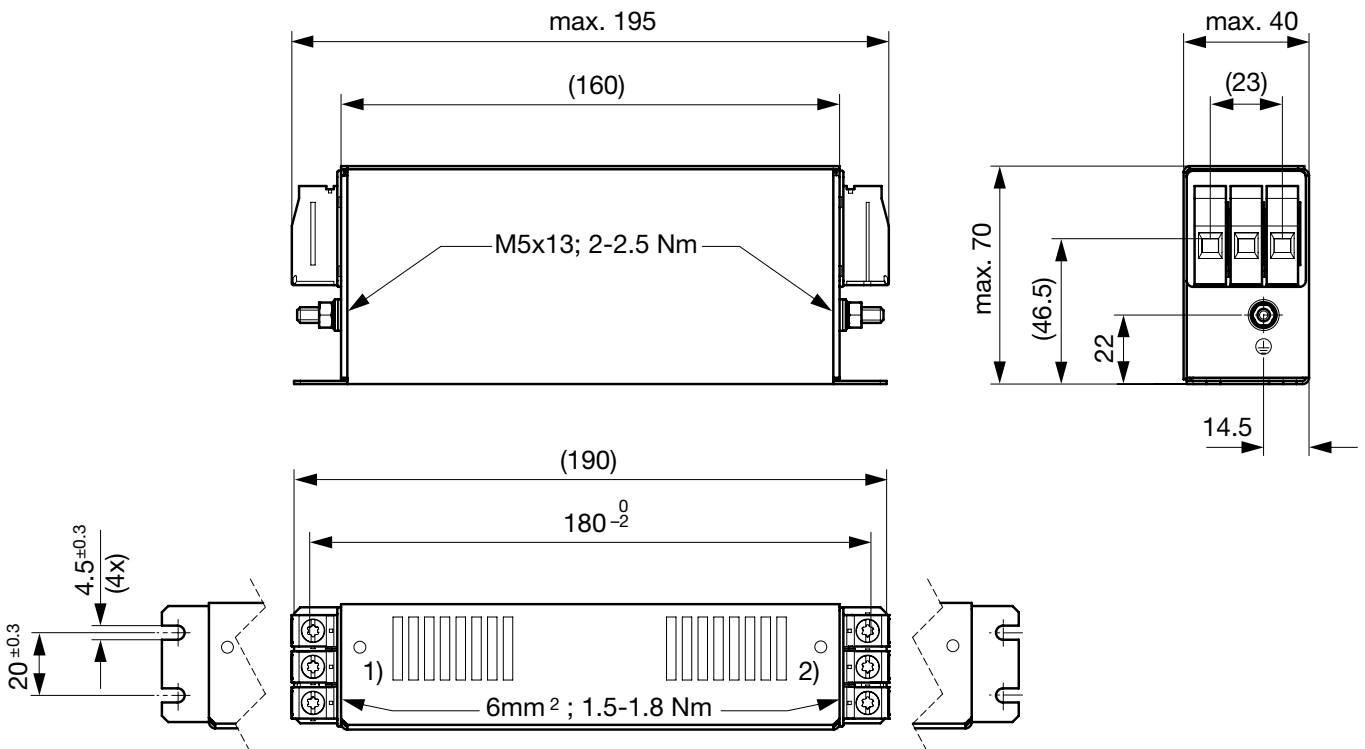
- Suitable for applications with RCDs
- Protection against interference voltage from the mains
- Especially designed for industrial applications such as: Frequency Converters, Stepper Motor Drives, UPS-Systems, Inverters

Weblinks

[pdf-datasheet](#), [html-datasheet](#), [General Product Information](#), [Approvals](#), [CE declaration of conformity](#), [RoHS](#), [CHINA-RoHS](#), [REACH](#), [e-Shop](#), [SCHURTER-Stock-Check](#), [Distributor-Stock-Check](#), [Detailed request for product](#)

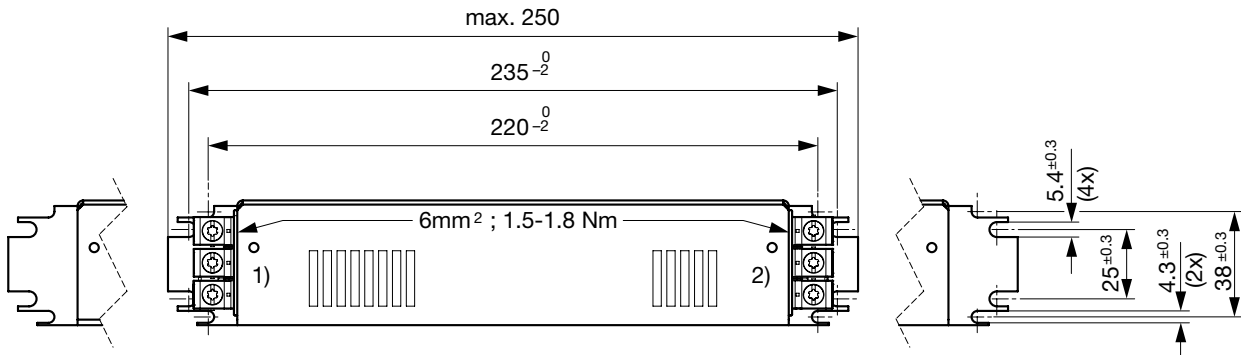
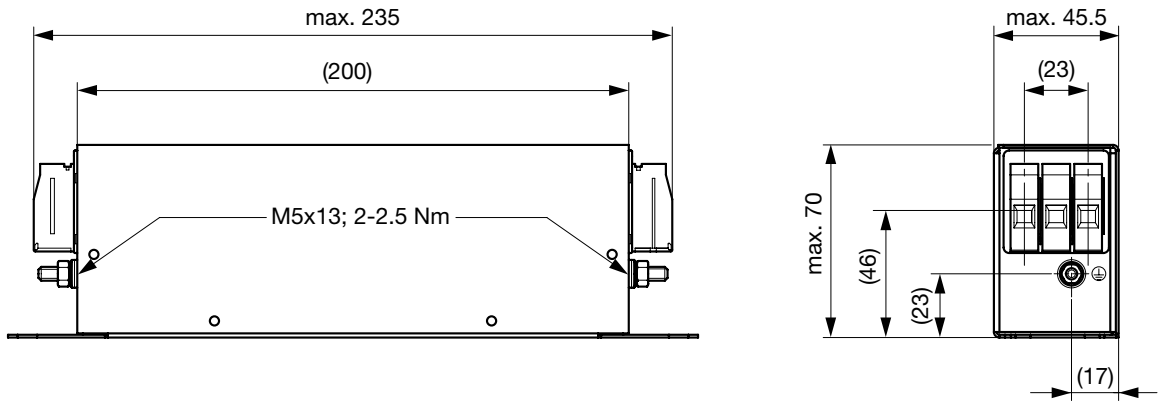
Dimensions

Case 1U

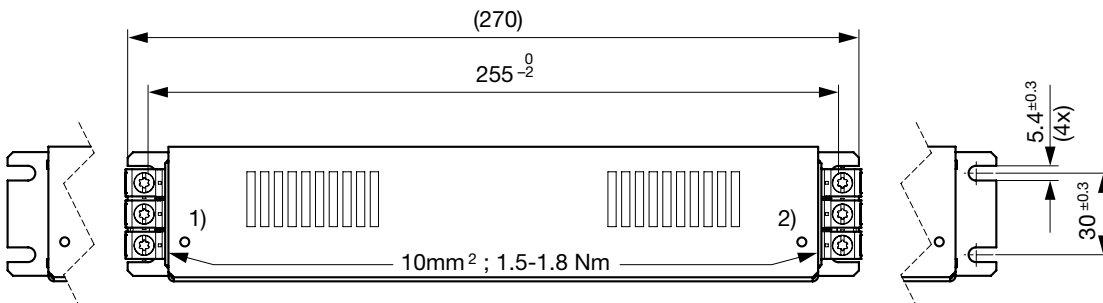
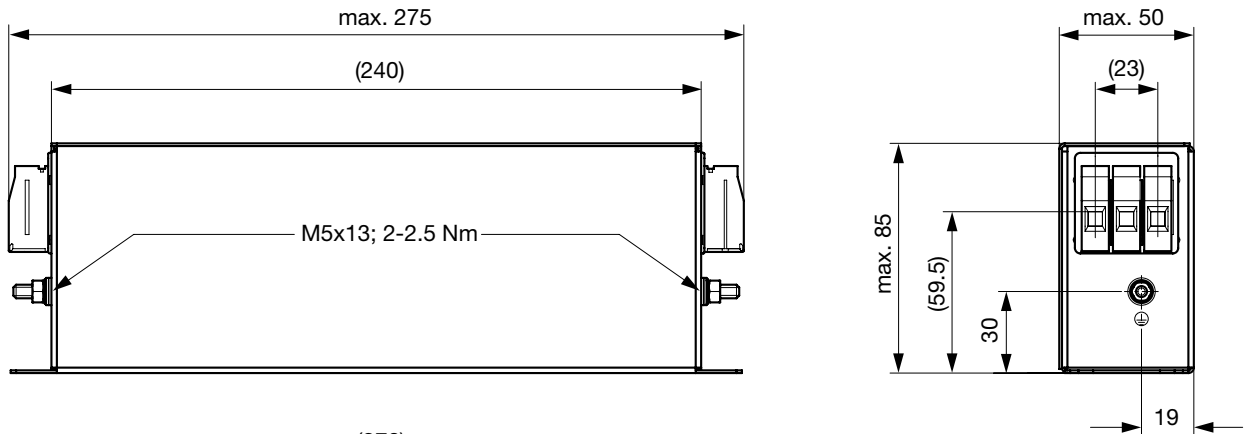


- 1) Line
- 2) Load

Case 1C

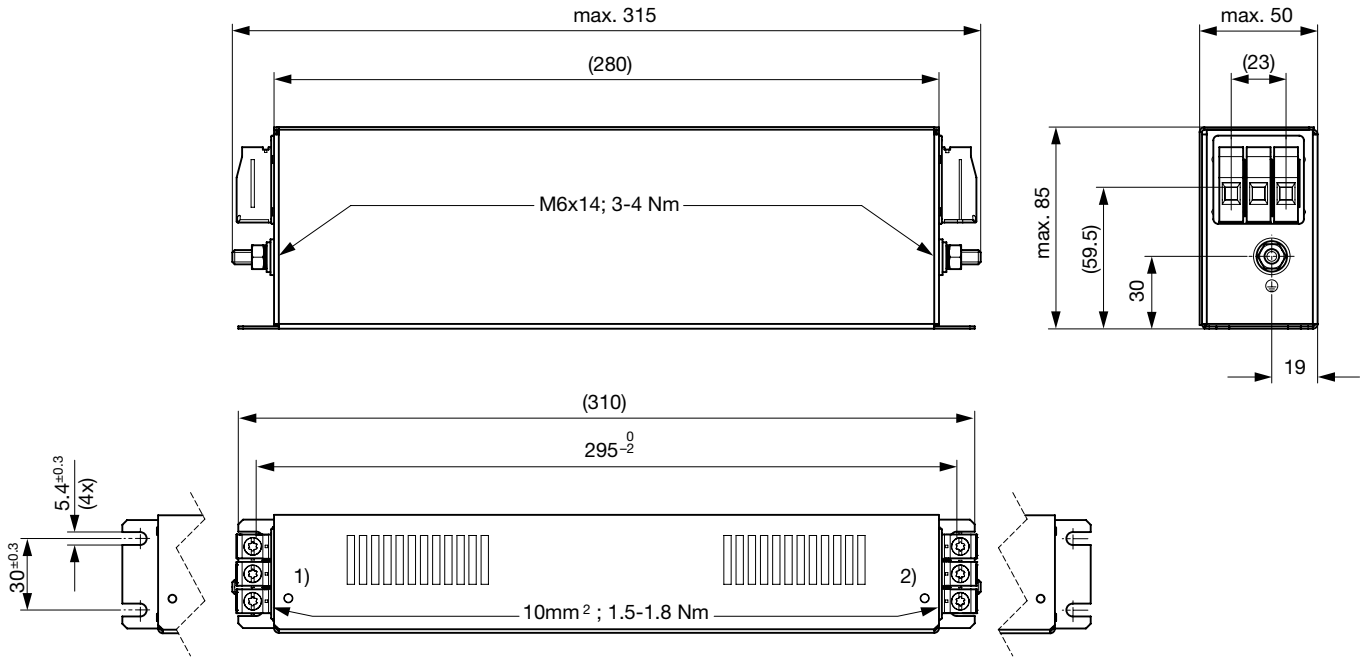


1) Line
 2) Load
 Case 1Q



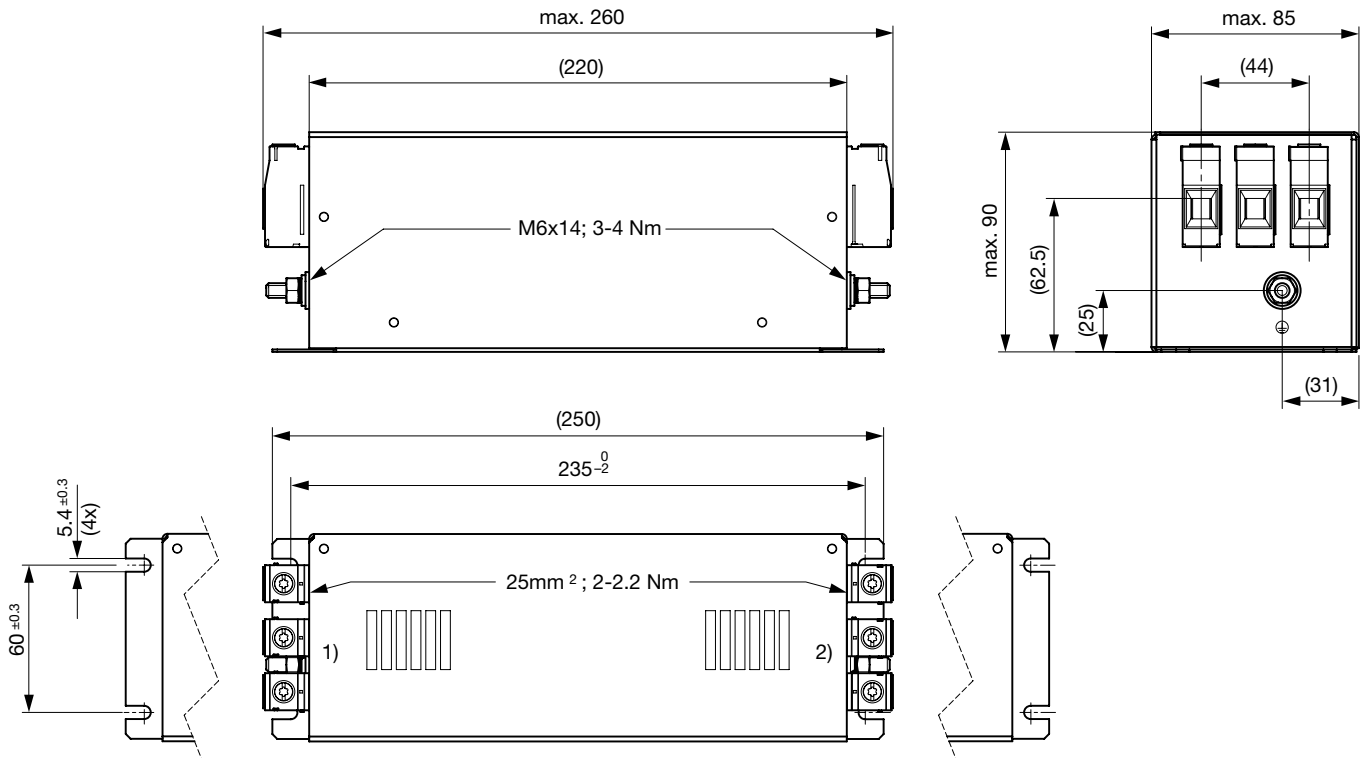
1) Line
 2) Load

Case 1R



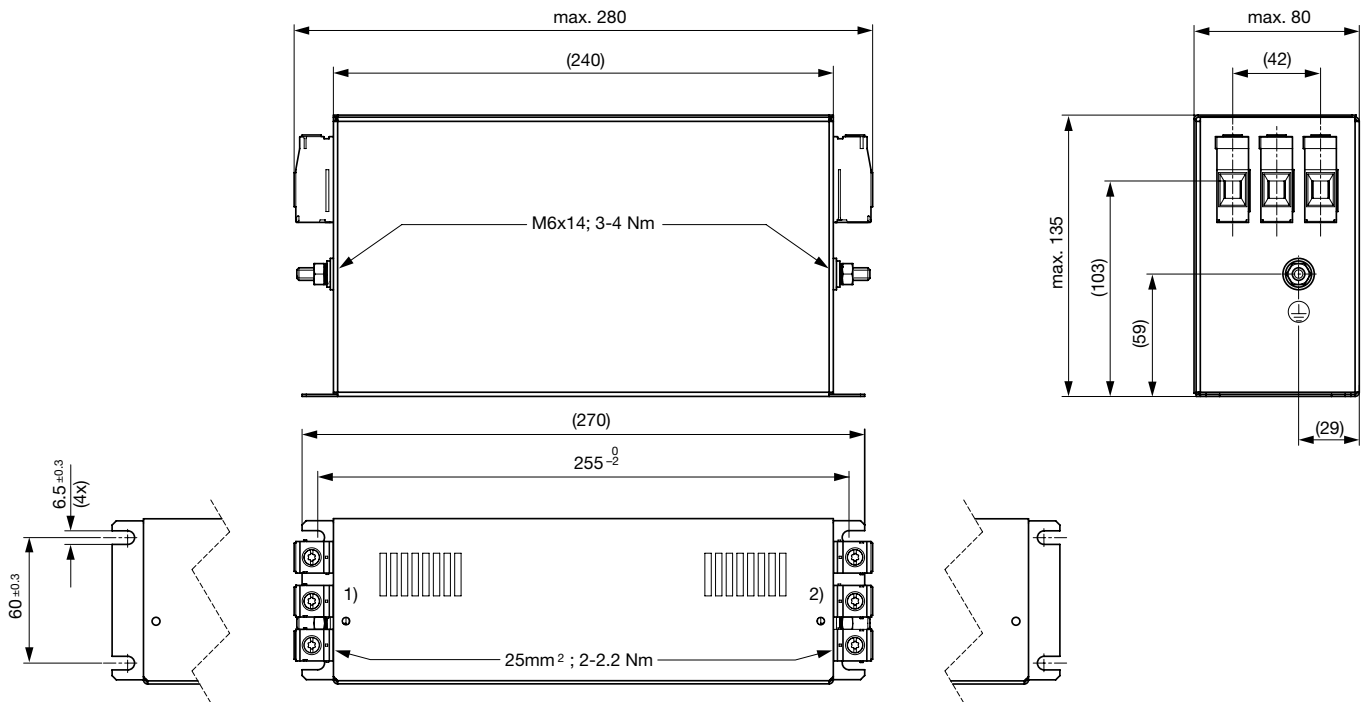
- 1) Line
- 2) Load

Case 1S



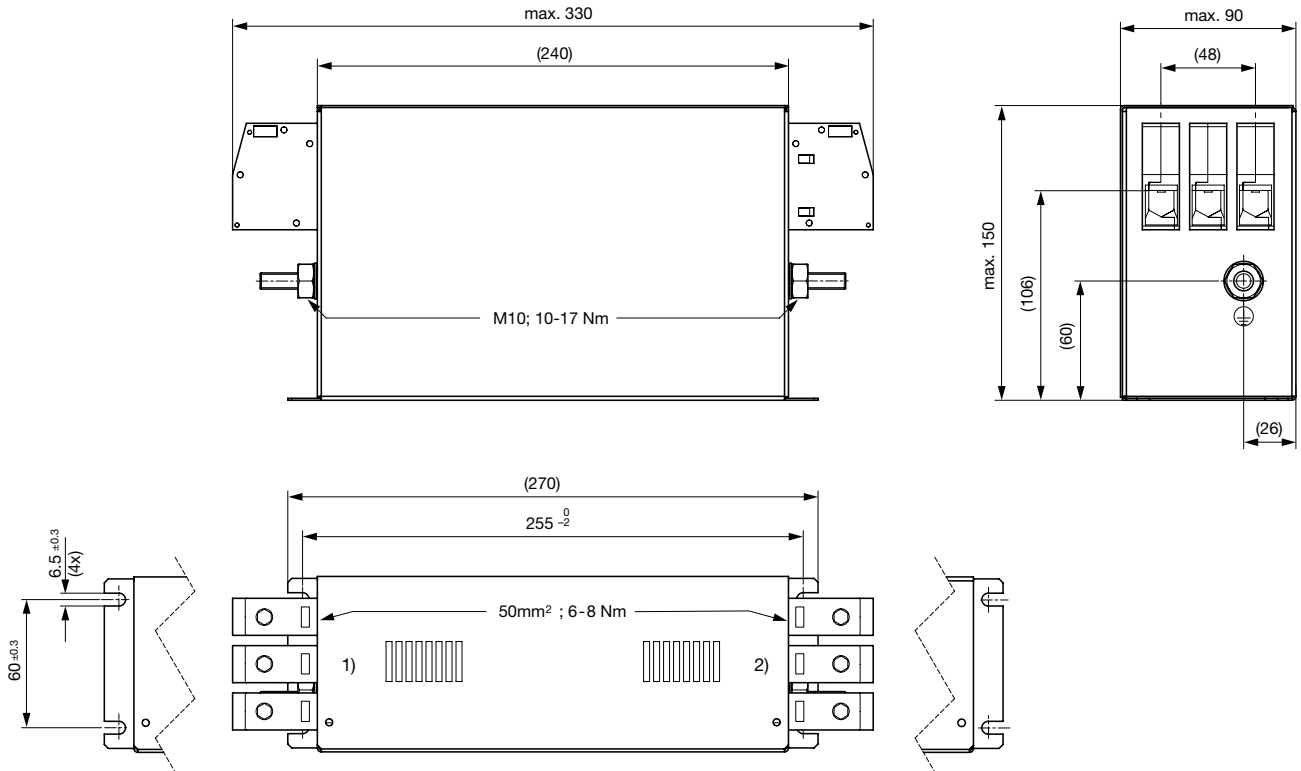
- 1) Line
- 2) Load

Case 1F



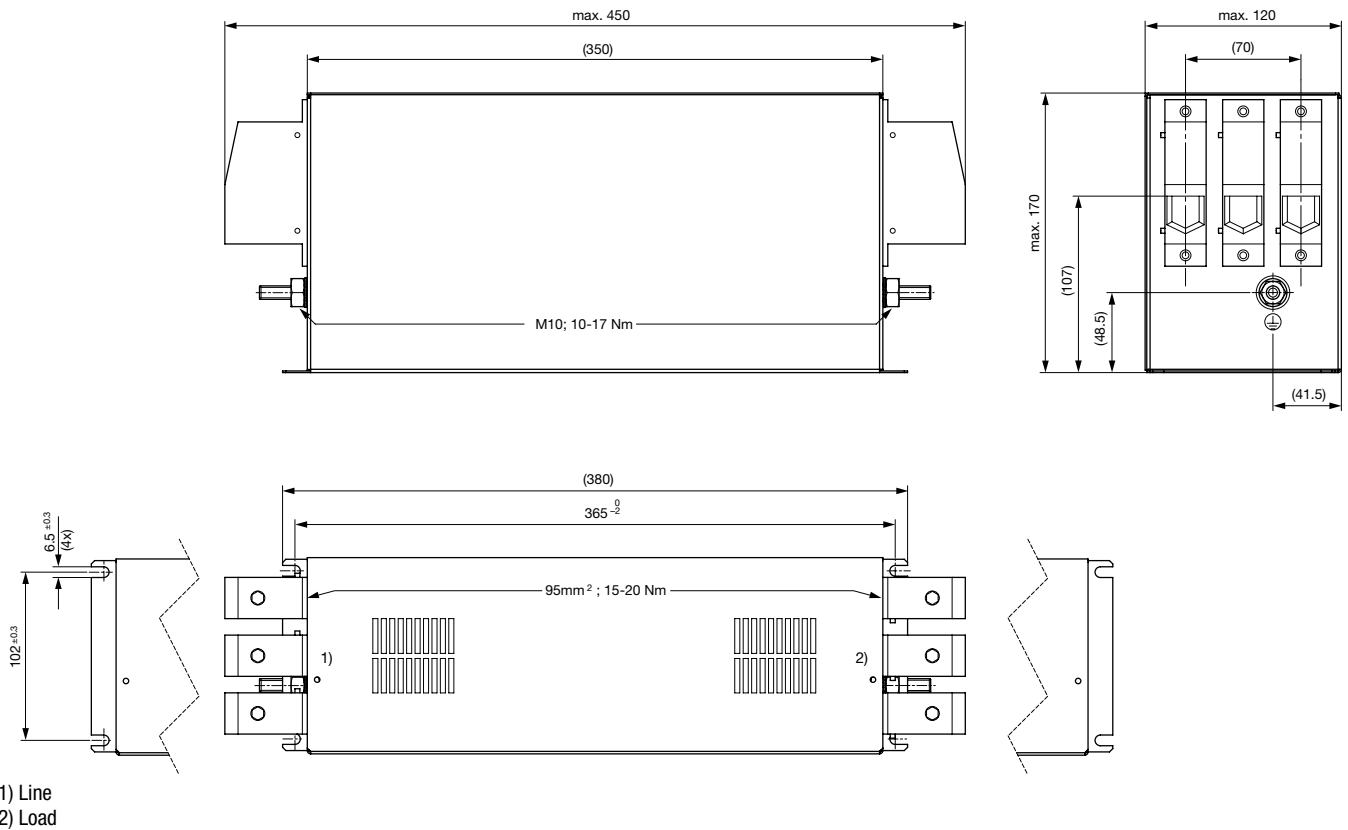
- 1) Line
- 2) Load

Case 1G

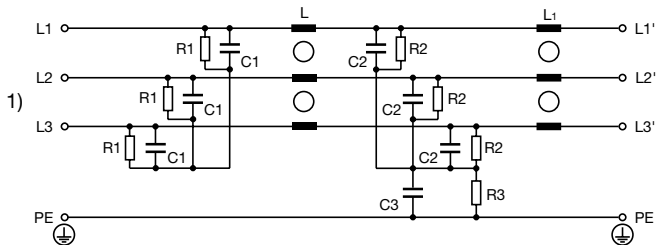


- 1) Line
- 2) Load

Case 1V

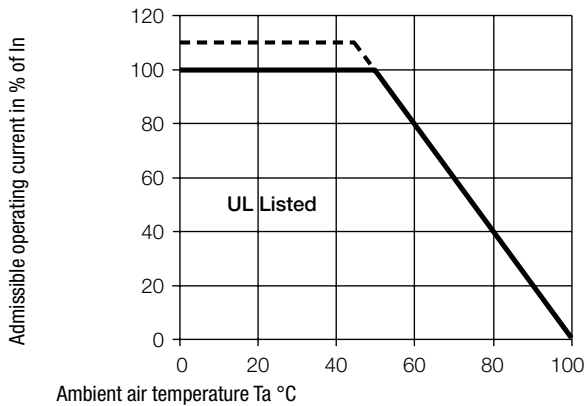


Diagrams



Derating Curves

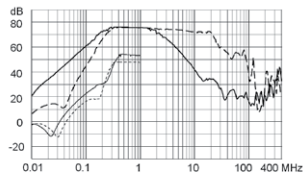
Permissible Working Current as a Function of Ambient Temperature



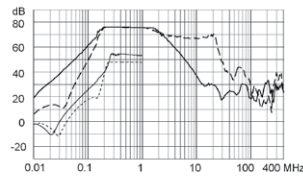
Attenuation Loss 0.1/100Ω differential mode 100/0.1Ω differential mode - - - - differential mode ____ common mode

Industrial Version

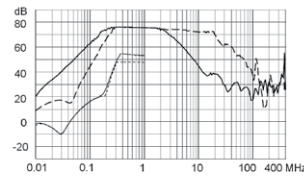
7A



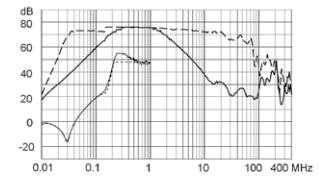
16A



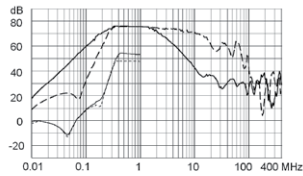
30A



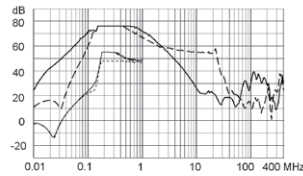
42A



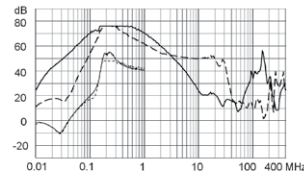
55A



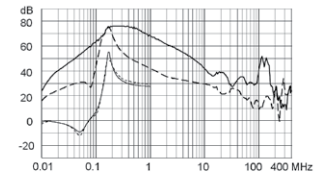
75A



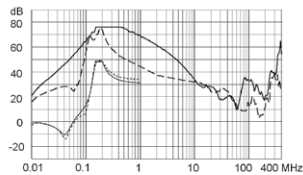
100A



130A



180A



All Variants

Rated Current @ Ta 50°C (40°C) [A]	Rated Voltage [VAC]	Tripped Power Dissipation [W]	Leakage Cur- rent [mA] ¹⁾	Weight [kg]	Screw clamps [mm ²] ²⁾	Housing	Packaging unit	Order Number
7 (7.7)	520	1.5	4.4	0.75 kg	6	1U	3	FMBC-R91U-0712
16 (17.5)	520	5.4	4.4	1.2 kg	6	1C	3	FMBC-R91C-1612
30 (32.9)	520	6.6	4.4	9.4 kg	10	1Q	4	FMBC-R91Q-3012
42 (46)	520	10.7	4.4	9.4 kg	10	1R	3	FMBC-R91R-4212
55 (60.2)	520	13.3	4.4	2.4 kg	25	1S	2	FMBC-R91S-5512
75 (82.2)	520	19.6	17.5	4.1 kg	25	1F	1	FMBC-R91F-7512
100 (109.5)	520	26.3	17.5	5.4 kg	50	1G	1	FMBC-R91G-J012
130 (142.4)	520	10	19.3	4.6 kg	50	1G	1	FMBC-R91G-J312
180 (197.1)	520	31	19.3	9.4 kg	95	1V	1	FMBC-R91V-J812

Availability for all products can be searched real-time: <http://www.schurter.com/en/Stock-Check/Stock-Check-SCHURTER>

1) Nominal leakage current acc. to IEC60950 - 5.2.5. under normal operating conditions. Note: worst case leakage current acc. to IEC60950 - Annex G4 (situation with two interrupted lines) can be much higher.

2) Maximum conductor cross section (wire gauge) to be used; a comparative table for AWG and mm² values can be found in the general product information www.schurter.com/emc_info