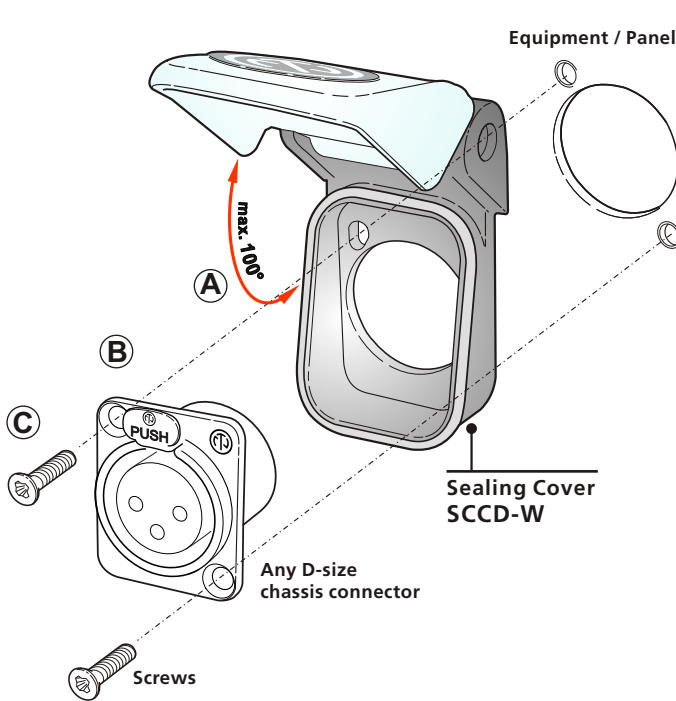




# ASSEMBLY INSTRUCTION

## SCCD-W | Sealing cover D-Series



**A** Open sealing cover.

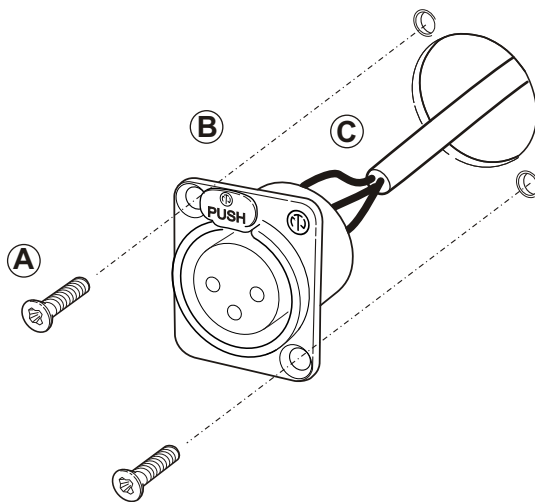
**Attention:** Max. allowed opening angle during installation 100 °.

**B** Put the D-size receptacle onto SCCD-W.

**Attention:** Max. panel thickness 1.5 mm in combination with etherCON NE8FD\* receptacle.

**C** Fasten the screws through the receptacle and the SCCD-W.

### Alternatively: Assembly on existing installation



**A** Open the screws.

**B** Remove the receptacle from panel.

**C** Disconnect wires.

**D** Install SCCD-W and D-size chassis like shown above.

**E** Connect wires.

NEUTRIK AG LI T: +423/237 24 24 F: +423/232 53 93  
NEUTRIK USA Inc. USA T: +1 704 / 972 3050 F: +1 704/438 9202  
NEUTRIK (UK) Ltd. UK T: +44 1983 / 811 441 F: +44 1983/811 439  
NEUTRIK Vertriebs GmbH DE/NL/AT/DK T: +49 8131 / 280 890 F: +49 8131/280 830

NEUTRIK France FR T: +33 1/4131 6750 F: +33 1/4131 0511  
NEUTRIK Tokyo Ltd. JP T: +81 3/3663 4733 F: +81 3/3663 4796  
NEUTRIK Hong Kong Ltd. HK T: +852/2687 6055 F: +852/2687 6052  
NEUTRIK India Pvt. Ltd. IND T: +91/982 05 43 424 F: +91/22 26163 540

Draft. Nr.: BDA 400 / 3102M2221 | Update: 21.03.2014 | Data subject to change without prior notice. ©2014 NEUTRIK®. ALL RIGHTS RESERVED. NEUTRIK® are registered trademark.

[www.neutrik.com](http://www.neutrik.com)

**NEUTRIK**