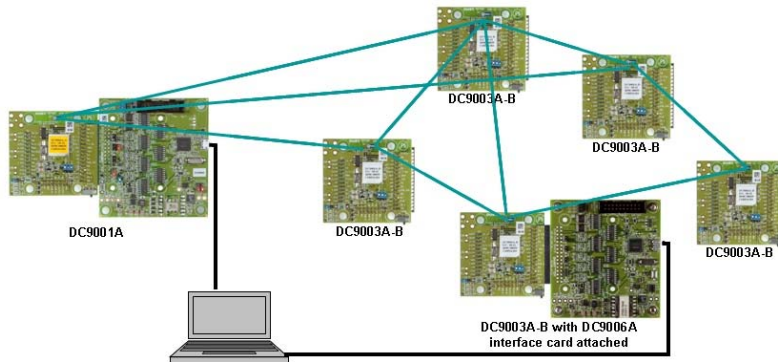


DC9000A SmartMesh IP Starter Kit



Ultra-Low Power, Reliable, Scalable, Easy to Install

The DC9000A SmartMesh IP Starter Kit provides all the tools necessary for evaluating the network performance of SmartMesh against the needs of your application, such as high reliability, ultra-low power, scalability, and ease of installation, and provides the components needed for device integration and application development.

The DC9000A Starter Kit includes five motes, or nodes, (DC9003A-B) to enable users to quickly deploy a multi-hop mesh network in the RF environment specific to the user's application. Through the StarGazer evaluation software graphical user interface (GUI), users may quickly see the mesh network form, as well as key performance statistics, such as data reliability, latency and more.

The DC9003A-B Evaluation/Development mote modules include easy-to-probe signal pins. In addition, the Starter Kit provides access to both manager and mote software application programming interfaces (APIs) over USB to enable users to begin application software development.

The DC9000A Starter Kit operates in the 2.4000-2.4835 GHz international license-free frequency band. Starter Kits and demo boards are for evaluation purposes only. It remains the customer's responsibility to verify proper and reliable operation in the actual end application.

About SmartMesh IP

SmartMesh IP is built for IP compatibility, and is based on 6LoWPAN and 802.15.4e standards. The SmartMesh IP product line achieves unsurpassed levels of networking resilience, reliability, and scalability with advanced network management and comprehensive security. SmartMesh IP includes breakthrough Eterna SoC technology that enables up to 8x lower power consumption than competitive solutions even in harsh, dynamically changing RF environments. Cost effective, IP compatible, and widely applicable, SmartMesh IP serves an extensive range of applications, such as energy management building automation, renewable energy, and other implementations in smart infrastructure that call for ultra low power.



The Dust Networks logo, Dust, Dust Networks, SmartMesh, , LT, LTC, LTM, Linear Technology and the Linear logo are registered trademarks of Linear Technology Corporation. SmartMesh IP is a trademark of Linear Technology Corporation. All other trademarks are the property of their respective owners.



DC9001A SmartMesh IP Evaluation/Development Network Manager

The SmartMesh IP Network Manager anchors the SmartMesh IP product line. It provides the core networking functionality, enabling the network to achieve unsurpassed levels of resilience, reliability, and scalability with advanced network management and comprehensive security features.

The DC9001A Evaluation/Development Network Manager incorporates the LTC5800-IPR SmartMesh IP Manager-on-Chip and provides a USB connection for both power and software access to the manager API UART port

DC9003A-B SmartMesh IP Evaluation/Development Mote



SmartMesh IP networks are populated by motes, the nodes on the network. Based on Dust's breakthrough Eterna™ technology, the motes are ultra low power, extending battery life to years and many times that of competing products. In addition to extra long battery life, the motes feature an advanced array of features.

The DC9003A-B Evaluation/Development Mote incorporates the LTC5800-IPM SmartMesh IP Mote-on-Chip, a chip antenna, and CR2032 coin cell.



DC9006A Eterna Interface Card

When connected to a DC9003A-B Evaluation/Development Mote, the DC9006A Eterna interface card provides a USB connection for both power and software access to the mote API UART port

Part Number	Description
Starter Kit	
DC9000A	SmartMesh IP Starter Kit – includes the following items: <ul style="list-style-type: none"> - One Evaluation/Development Manager (DC9001A) - Five Evaluation/Development Motes (DC9003A-B) - One Eterna Interface Card (DC9006A) - Additional CR2032 batteries - cables
Additional Managers, Motes and Interface Cards	
DC9001A	SmartMesh IP Evaluation/Development Manager
DC9003A-B	SmartMesh IP Evaluation/Development Mote
DC9006A	Eterna Interface Card

To purchase the SmartMesh IP Starter Kit, please contact your local Linear Technology sales office.